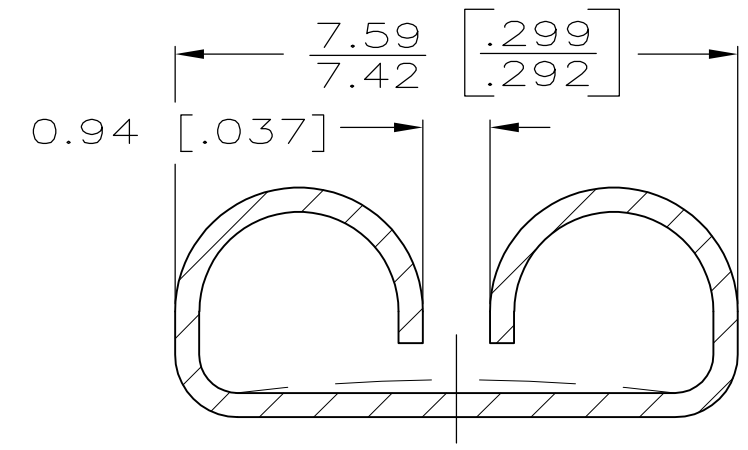
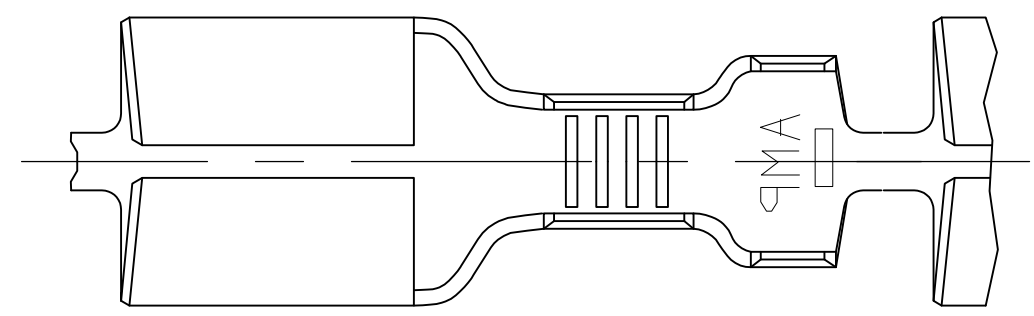


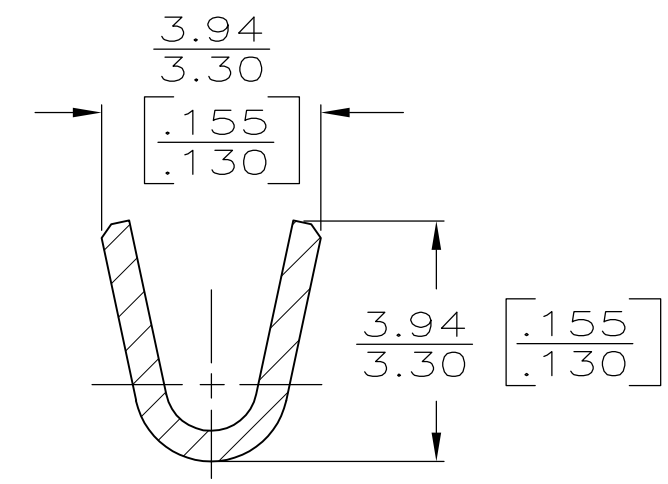
THIS DRAWING IS UNPUBLISHED. RELEASED FOR PUBLICATION
 © COPYRIGHT - By - ALL RIGHTS RESERVED.

REVISIONS				
P	LTR	DESCRIPTION	DATE	APVD
D1		REVISED PER ECR-15-016360	10MAR2016	NK LP

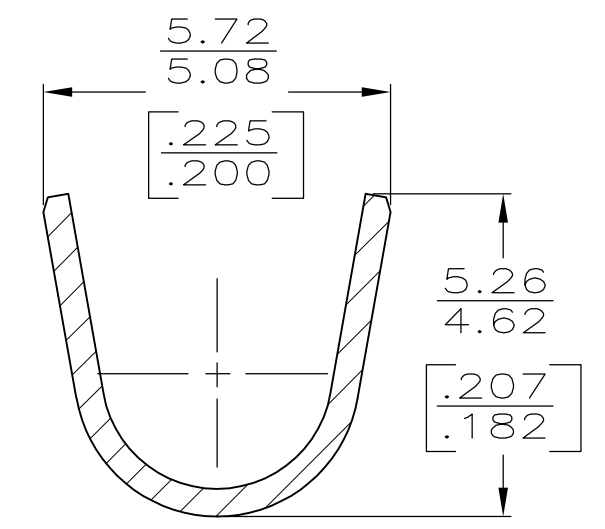
- 1 CONTINUOUS STRIP ON REELS.
- 2 MATING TAB TO BE 0.81±0.025 [.032±.001].
- 3 WIRE SIZE IS [#20-#14] AWG.
- 4 INSULATION RANGE IS 2.16-3.43 [.085-.135] DIA.
- 5 PRELIMINARY - NOT FOR PRODUCTION



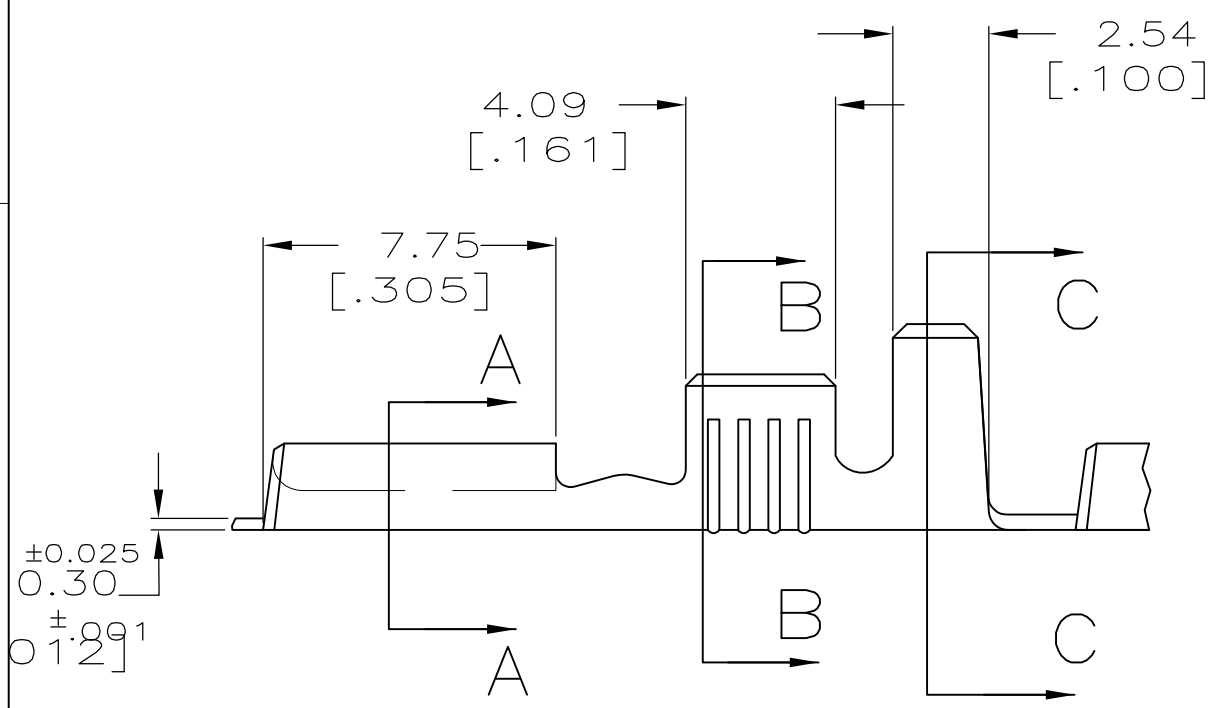
SECTION A-A
SCALE 10:1



SECTION B-B
SCALE 8:1



SECTION C-C
SCALE 8:1



±0.025
0.30
±.001
0.12

OBSOLETE	PLAIN	5 63648-3
	TIN - STRESS RELIEVED	-63648-2
	PLAIN - STRESS RELIEVED	63648-1
	FINISH	PART NO

THIS DRAWING IS A CONTROLLED DOCUMENT.		DWN	JR RUTH	4/3/92	 TE Connectivity	RECEPTACLE, FASTON, 6.35 [.250] SERIES				
DIMENSIONS: mm [INCHES]		CHK	MS FEHER	4/3/92		NAME				
TOLERANCES UNLESS OTHERWISE SPECIFIED:		APVD	C MEYERS	4/3/92		PRODUCT SPEC				
0 PLC ± - 1 PLC ± - 2 PLC ± 0.25 [.010] 3 PLC ± - 4 PLC ± - ANGLES ± -		APPLICATION SPEC				SIZE	CAGE CODE	DRAWING NO	RESTRICTED TO	
MATERIAL	BRASS	FINISH	SEE TABLE	WEIGHT	0	A300779	C-63648	-		
CUSTOMER DRAWING					SCALE	5:1	SHEET	1 OF 1	REV	D1