

P3P76Z11D, P3P76Z11DH

Low Voltage, Timing-Safe™ Peak EMI reduction IC

Functional Description

P3P76Z11D/DH is a versatile low voltage peak EMI reduction IC based on Timing-Safe technology. P3P76Z11D/DH accepts one input from an external reference, and locks on to it delivering a 1x Timing-Safe output clock. P3P76Z11D/DH has a Frequency Selection (FS) control that facilitates selecting one of the two frequency ranges within the operating frequency range. Refer *frequency Selection table*. The device has an SSEXTR pin to select different deviations depending upon the value of an external resistor connected at this pin to GND. P3P76Z11D/DH has a DLY_CTRL for adjusting the Input-Output clock delay, depending upon the value of the capacitor connected at this pin to GND. PD# / OE provide the Power Down option. Outputs will be tri-stated when power down is active.

P3P76Z11D is a Low drive part and P3P76Z11DH is a High drive part. Refer to *DC/AC Electrical characteristic table*.

P3P76Z11D/DH operates over a supply voltage range of 1.8 V ± 0.2 V, and is available in an 8 Pin WDFN (2 mm x 2 mm) Package.

General Features

- 1x, LVC MOS Timing-Safe Peak EMI Reduction
- Input Clock Frequency:
15 MHz – 75 MHz
- Output Clock Frequency(Timing-Safe):
15 MHz – 75 MHz
- Analog Frequency Deviation Selection
- Analog Input-Output Delay Control
- Power Down option for Power Save
- Low and High drive parts
- Supply Voltage: 1.8 V ± 0.2 V
- 8 pin WDFN(2 mm x 2 mm) package
- These Devices are Pb-Free, Halogen Free/BFR Free and are RoHS Compliant

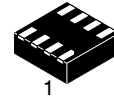
Application

- P3P76Z11D/DH is targeted for use in consumer electronic applications like mobile phones, Camera modules, MFP and DPF.



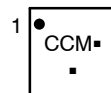
ON Semiconductor®

<http://onsemi.com>



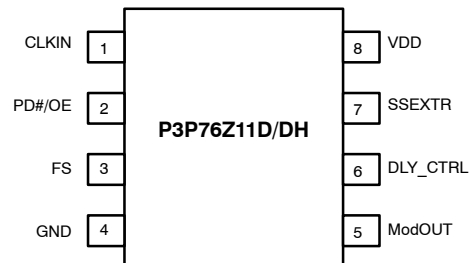
WDFN8
CASE 511AQ

MARKING DIAGRAMS



CC = Specific Device Code
M = Date Code
▪ = Pb-Free Device

PIN CONFIGURATION



ORDERING INFORMATION

See detailed ordering and shipping information in the package dimensions section on page 9 of this data sheet.

P3P76Z11D, P3P76Z11DH

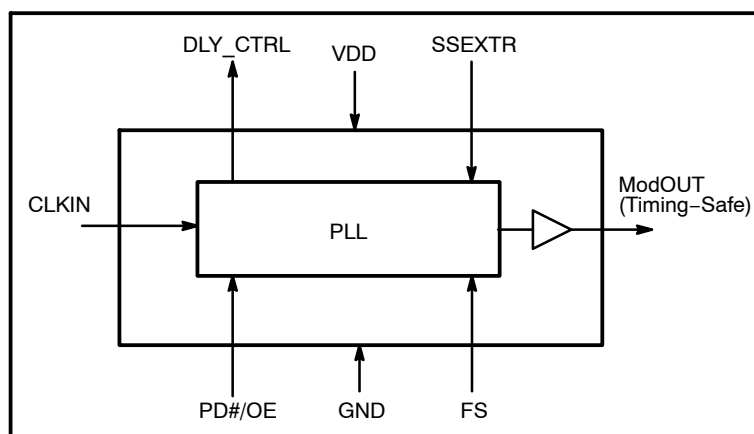


Figure 1. Block Diagram

Table 1. PIN DESCRIPTION

Pin#	Pin Name	Type	Description
1	I	CLKIN	External reference Clock input.
2	I	PD# / OE	Power Down. Pull LOW to enable Power Down. Outputs will be tri-stated when power down is enabled. Pull HIGH to disable power down and enable output. Has NO default state.
3	I	FS	Frequency Select (see <i>Frequency Selection table</i> for details). Has NO default state.
4	P	GND	Ground
5	O	ModOUT	Buffered modulated Timing-Safe clock output
6	O	DLY_CTRL	External Input-Output Delay control
7	I	SSEXTR	Analog Spread Selection through external resistor to GND.
8	P	VDD	Supply Voltage

Table 2. FREQUENCY SELECTION TABLE

FS	Frequency (MHz)
0	15 – 30
1	30 – 75

Table 3. OPERATING CONDITIONS

Symbol	Description	Min	Max	Unit
V _{DD}	Supply Voltage	1.6	2	V
T _A	Operating Temperature	0	+70	°C
C _L	Load Capacitance		15	pF
C _{IN}	Input Capacitance		7	pF

P3P76Z11D, P3P76Z11DH

Table 4. ABSOLUTE MAXIMUM RATING

Parameter	Min	Max	Unit
Supply Voltage to Ground Potential	-0.3	+2.7	V
DC Input Voltage(CLKIN)	-0.3	+2.7	V
DC Input Voltage (Except CLKIN)	-0.3	VDD + 0.3	V
Storage Temperature	-65	+150	°C
Max. Soldering Temperature (10 sec)		260	°C
Junction Temperature		150	°C
Static Discharge Voltage (As per JEDEC STD22- A114-B)		2000	V

Stresses exceeding Maximum Ratings may damage the device. Maximum Ratings are stress ratings only. Functional operation above the Recommended Operating Conditions is not implied. Extended exposure to stresses above the Recommended Operating Conditions may affect device reliability.

Table 5. DC ELECTRICAL CHARACTERISTICS FOR $V_{DD} = 1.8 V \pm 0.2 V$

Symbol	Parameter	Test Conditions	Min	Typ	Max	Unit
V_{DD}	Supply Voltage		1.6	1.8	2	V
V_{IH}	Input HIGH Voltage		0.65 * V_{DD}			V
V_{IL}	Input LOW Voltage				0.35 * V_{DD}	V
I_{IH}	Input HIGH Current	$V_{IN} = V_{DD}$			5	μA
I_{IL}	Input LOW Current	$V_{IN} = 0 V$			5	μA
V_{OH}	Output HIGH Voltage	$I_{OH} = -8 mA$ (P3P76Z11D)	0.75 * V_{DD}			V
		$I_{OH} = -16 mA$ (P3P76Z11DH)				
V_{OL}	Output LOW Voltage	$I_{OL} = 8 mA$ (P3P76Z11D)			0.25 * V_{DD}	V
		$I_{OL} = 16 mA$ (P3P76Z11DH)				
I_{CC}	Static Supply Current	PD# pin pulled to GND			10	μA
I_{DD}	Dynamic Supply Current	Unloaded Output	FS = 0, @ 15 MHz		3	mA
			FS = 0, @ 30 MHz		5	
			FS = 1, @ 30 MHz		4	
			FS = 1, @ 75 MHz		10	
Z_o	Output Impedance	P3P76Z11D		23		Ω
		P3P76Z11DH		17		

P3P76Z11D, P3P76Z11DH

Table 6. AC ELECTRICAL CHARACTERISTICS FOR $V_{DD} = 1.8 V \pm 0.2 V$

Parameter	Test Conditions	Min	Typ	Max	Unit	
Input Frequency	FS = 0	15		30	MHz	
	FS = 1	30		75		
ModOUT	FS = 0	15		30		
	FS = 1	30		75		
Duty Cycle (Notes 1 and 2)	Measured at $V_{DD} / 2$	45	(49–51)	55	%	
Rise Time (Notes 1 and 2)	Measured between 20% to 80%	P3P76Z11D		1.3	2.1	ns
		P3P76Z11DH		1	1.7	
Fall Time (Notes 1 and 2)	Measured between 80% to 20%	P3P76Z11D		1.3	2.1	ns
		P3P76Z11DH		1	1.7	
Cycle-to-Cycle Jitter (Note 2)	Unloaded output with SSEXTR = OPEN	FS = 0	15 MHz		± 150	ps
			30 MHz		± 100	
		FS = 1	30 MHz		± 150	
			75 MHz		± 100	
Input-Output propagation Delay (Note 2)	SSEXTR = OPEN, No load on DLY_CTRL and ModOUT		1.1		ns	
Load line	Change in Input-Output delay (with capacitive load ≤ 15 pF), SSEXTR = OPEN	on DLY_CTRL		-35	ps/pF	
		on ModOUT		35		
PLL Lock Time (Note 2)	Stable power supply, valid clock presented on CLKIN pin, PD# toggled from Low to High			1	ms	

1. All parameters are specified with 15 pF loaded output.
2. Parameter is guaranteed by design and characterization. Not 100% tested in production.

SWITCHING WAVEFORMS

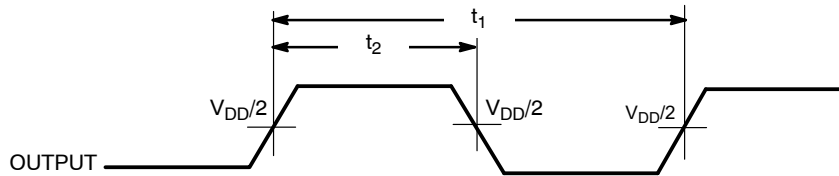


Figure 2. Duty Cycle Timing

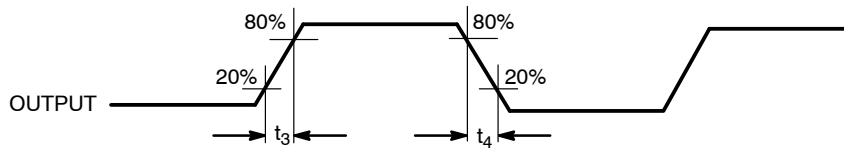
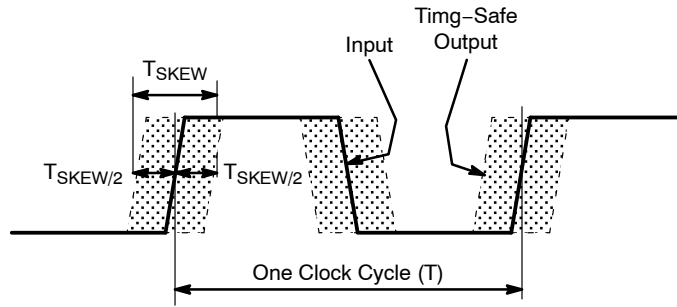


Figure 3. Output Rise/Fall Time

P3P76Z11D, P3P76Z11DH



T_{SKEW} represents input-output skew when spread spectrum is ON

For example, $T_{SKEW} / 2 = 0.20 * T$ for an Input clock of 24 MHz, translates in to $(1/24 \text{ MHz}) * 0.20 = 8.33 \text{ ns}$

Figure 4. Input-Output Skew

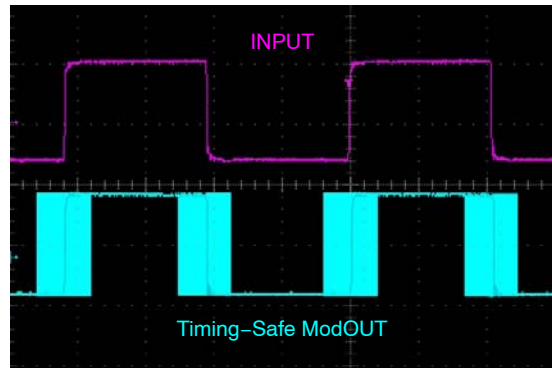
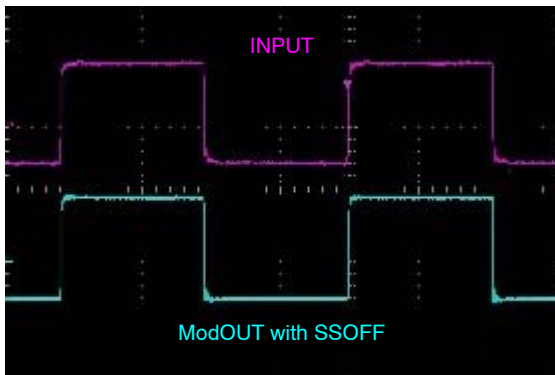


Figure 5. Typical Example of Timing-Safe Waveform

DEVIATION CHARTS

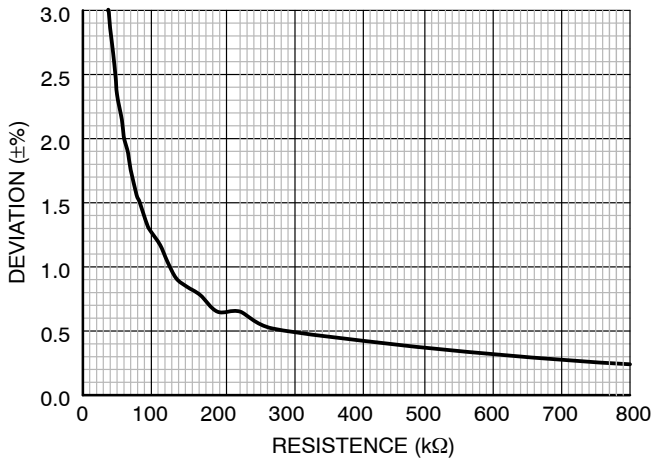


Figure 6. Deviation vs. SSEXTTR @ FS = 0, 15 MHz



Figure 7. Deviation vs. SSEXTTR @ FS = 0, 24 MHz

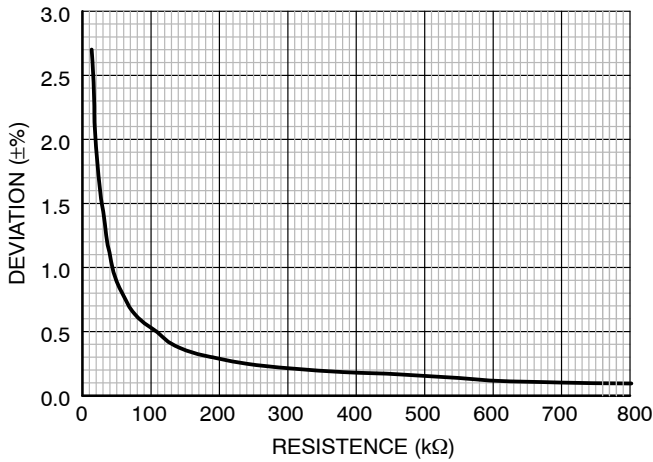


Figure 8. Deviation vs. SSEXTTR @ FS = 0, 30 MHz

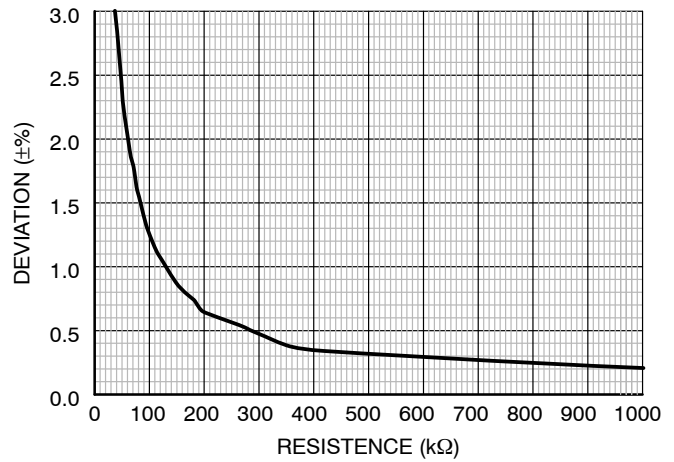


Figure 9. Deviation vs. SSEXTTR @ FS = 1, 30 MHz

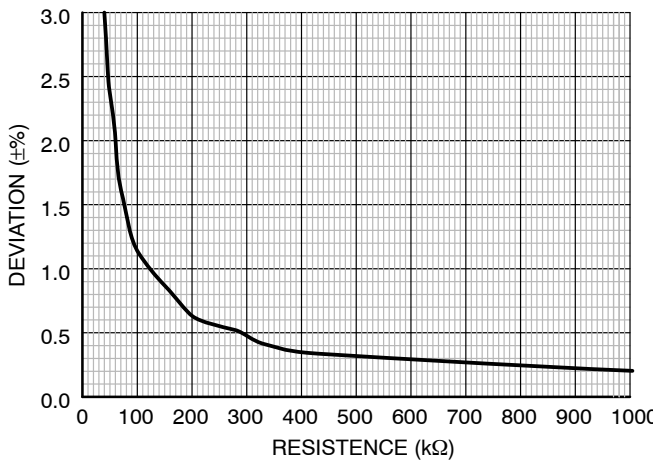


Figure 10. Deviation vs. SSEXTTR @ FS = 1, 40 MHz

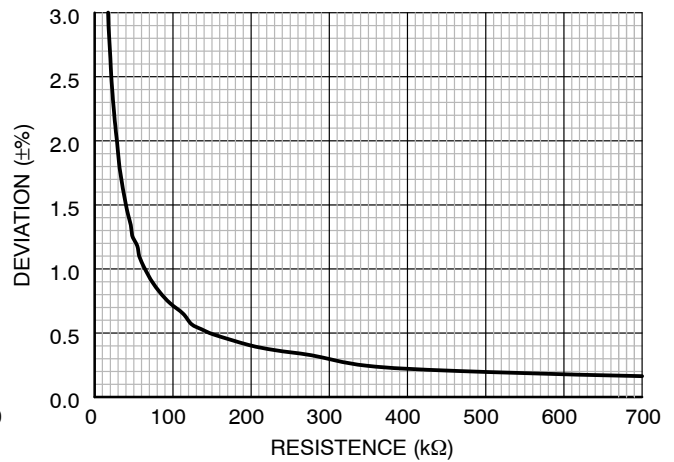


Figure 11. Deviation vs. SSEXTTR @ FS = 1, 48 MHz

P3P76Z11D, P3P76Z11DH

DEVIATION CHARTS

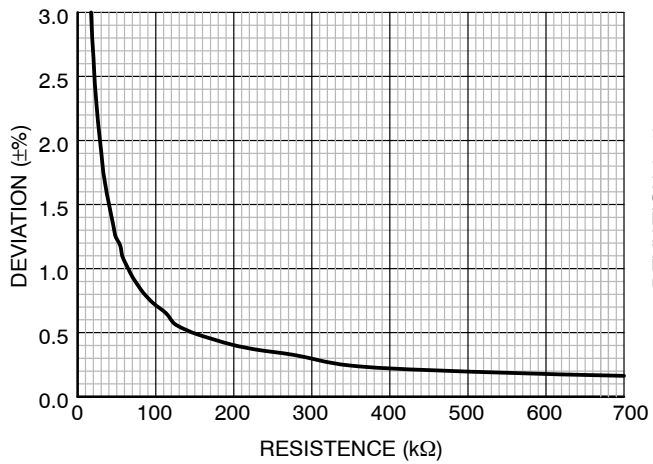


Figure 12. Deviation vs. SSEXTR @ FS = 1, 54 MHz

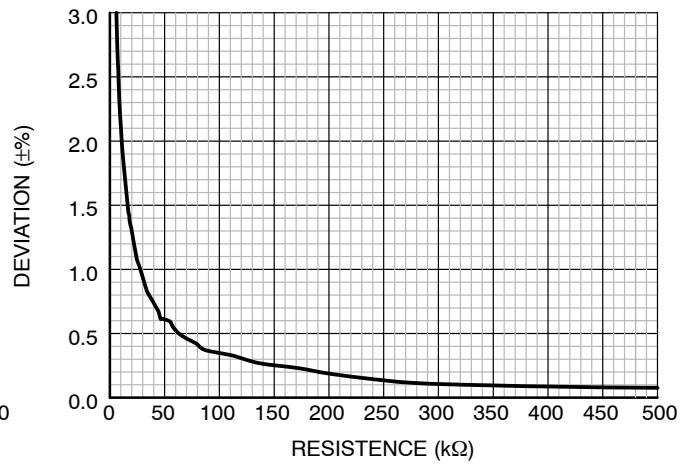


Figure 13. Deviation vs. SSEXTR @ FS = 1, 72 MHz

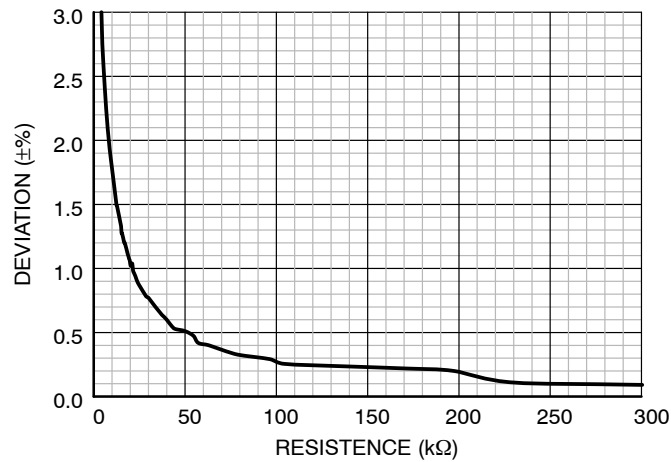
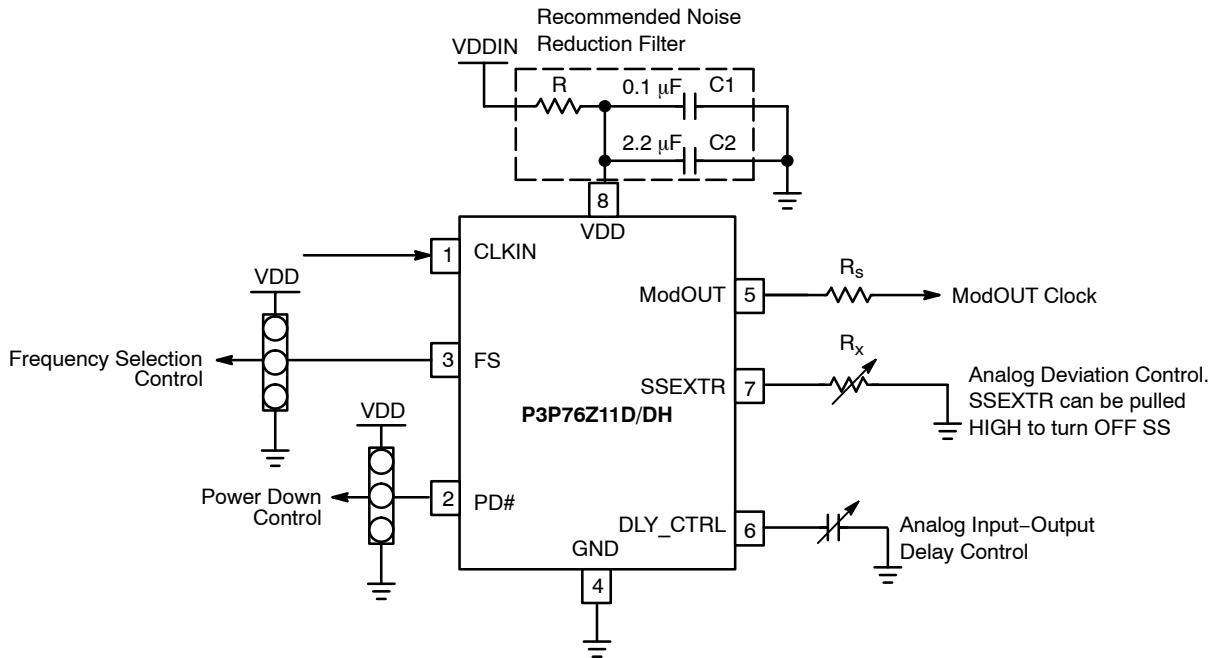


Figure 14. Deviation vs. SSEXTR @ FS = 1, 74.25 MHz

NOTE: Device-to-Device variation of Deviation and I/O delay is ±15%.

P3P76Z11D, P3P76Z11DH



NOTE: Refer Pin Description table for Functionality details.

Figure 15.

PCB Layout Recommendation

For optimum device performance, following guidelines are recommended.

- Dedicated VDD and GND planes.
- The device must be isolated from system power supply noise. A $0.1 \mu\text{F}$ and a $2.2 \mu\text{F}$ decoupling capacitor should be mounted on the component side of the board as close to the VDD pin as possible. No vias should be used between the decoupling capacitor and VDD pin. The PCB trace to VDD pin and the ground via should be kept as short as possible. All the VDD pins should have decoupling capacitors.
- In an optimum layout all components are on the same side of the board, minimizing vias through other signal layers.

A typical layout is shown in the figure

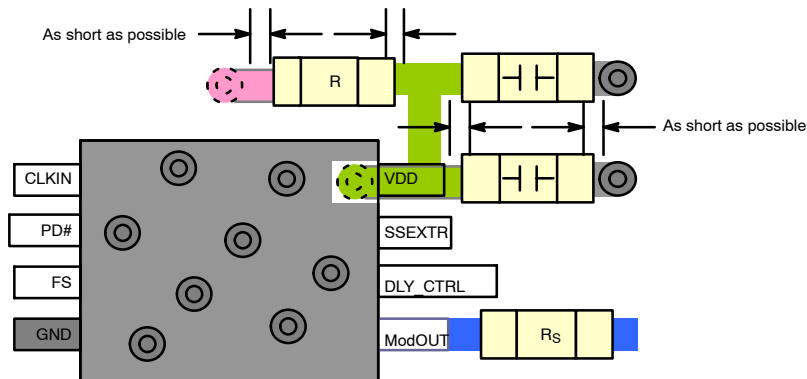


Figure 16.

P3P76Z11D, P3P76Z11DH

ORDERING INFORMATION

Part Number	Top Marking	Temperature	Package Type	Shipping [†]
P3P76Z11DHG-08CR	FE	0°C to +70°C	8-pin (2 mm x 2 mm) WDFN (Pb-Free)	Tape & Reel

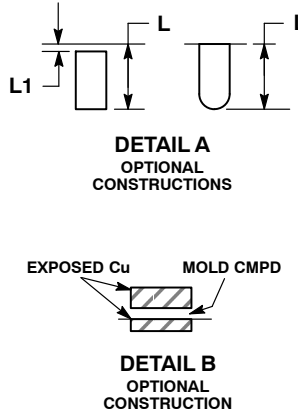
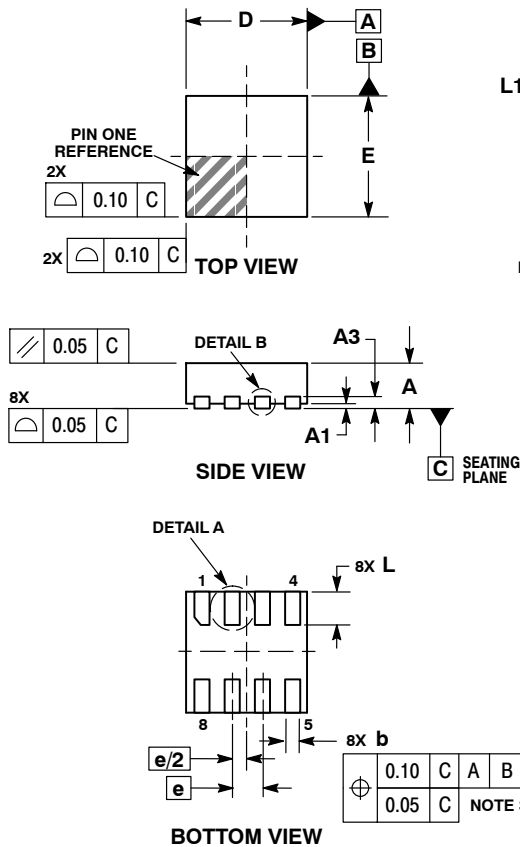
[†]For information on tape and reel specifications, including part orientation and tape sizes, please refer to our Tape and Reel Packaging Specifications Brochure, BRD8011/D.

*A "microdot" placed at the end of last row of marking or just below the last row toward the center of package indicates Pb-Free.

P3P76Z11D, P3P76Z11DH

PACKAGE DIMENSIONS

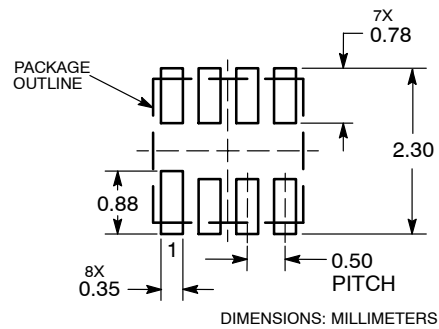
WDFN8 2x2, 0.5P
CASE 511AQ-01
ISSUE A



- NOTES:
1. DIMENSIONING AND TOLERANCING PER ASME Y14.5M, 1994.
 2. CONTROLLING DIMENSION: MILLIMETERS.
 3. DIMENSION b APPLIES TO PLATED TERMINAL AND IS MEASURED BETWEEN 0.15 AND 0.30mm FROM TERMINAL.

DIM	MILLIMETERS	
	MIN	MAX
A	0.70	0.80
A1	0.00	0.05
A3	0.20 REF	
b	0.20	0.30
D	2.00 BSC	
E	2.00 BSC	
e	0.50 BSC	
L	0.50	0.60
L1	---	0.15

RECOMMENDED SOLDERING FOOTPRINT*



*For additional information on our Pb-Free strategy and soldering details, please download the ON Semiconductor Soldering and Mounting Techniques Reference Manual, SOLDERRM/D.

Timing-Safe is a trademark of Semiconductor Components Industries, LLC (SCILLC).

ON Semiconductor and are registered trademarks of Semiconductor Components Industries, LLC (SCILLC). SCILLC reserves the right to make changes without further notice to any products herein. SCILLC makes no warranty, representation or guarantee regarding the suitability of its products for any particular purpose, nor does SCILLC assume any liability arising out of the application or use of any product or circuit, and specifically disclaims any and all liability, including without limitation special, consequential or incidental damages. "Typical" parameters which may be provided in SCILLC data sheets and/or specifications can and do vary in different applications and actual performance may vary over time. All operating parameters, including "Typicals" must be validated for each customer application by customer's technical experts. SCILLC does not convey any license under its patent rights nor the rights of others. SCILLC products are not designed, intended, or authorized for use as components in systems intended for surgical implant into the body, or other applications intended to support or sustain life, or for any other application in which the failure of the SCILLC product could create a situation where personal injury or death may occur. Should Buyer purchase or use SCILLC products for any such unintended or unauthorized application, Buyer shall indemnify and hold SCILLC and its officers, employees, subsidiaries, affiliates, and distributors harmless against all claims, costs, damages, and expenses, and reasonable attorney fees arising out of, directly or indirectly, any claim of personal injury or death associated with such unintended or unauthorized use, even if such claim alleges that SCILLC was negligent regarding the design or manufacture of the part. SCILLC is an Equal Opportunity/Affirmative Action Employer. This literature is subject to all applicable copyright laws and is not for resale in any manner.

PUBLICATION ORDERING INFORMATION

LITERATURE FULFILLMENT:
 Literature Distribution Center for ON Semiconductor
 P.O. Box 5163, Denver, Colorado 80217 USA
Phone: 303-675-2175 or 800-344-3860 Toll Free USA/Canada
Fax: 303-675-2176 or 800-344-3867 Toll Free USA/Canada
Email: orderlit@onsemi.com

N. American Technical Support: 800-282-9855 Toll Free
 USA/Canada
Europe, Middle East and Africa Technical Support:
 Phone: 421 33 790 2910
Japan Customer Focus Center
 Phone: 81-3-5773-3850

ON Semiconductor Website: www.onsemi.com
Order Literature: <http://www.onsemi.com/orderlit>
 For additional information, please contact your local Sales Representative