

NOTES:

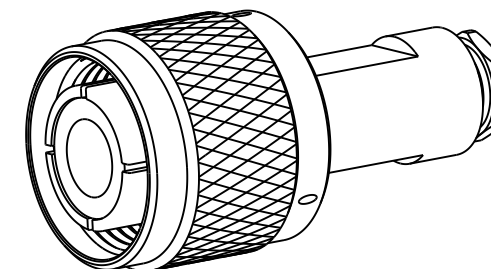
1. MATERIALS AND FINISHES:  
 BODY, CLAMP NUTS, WASHER, CONTACT,  
 RETAINING RING & COUPLING NUT - BRASS, SILVER PLATING  
 GASKET - SILICONE RUBBER, RED  
 GASKET - SYNTHETIC RUBBER, RED  
 INSULATOR - CROSS-LINKED COPOLYMER OF STYRENE, NATURAL
2. ELECTRICAL:  
 A. IMPEDANCE: 50 OHM
3. MECHANICAL:  
 A. DURABILITY: 500 CYCLES MIN.  
 B. TEMPERATURE RANGE: -65° C TO +165° C

4. PACKAGING:  
 A. QUANTITY: SINGLE PACK  
 B. MARKING: BAG TO BE MARKED  
 "AMPHENOL RF, 82-816-1000, AND DATE CODE"
  5. RECOMMENDED CABLE ASSEMBLY INSTRUCTIONS:  
 A. TRIM CABLE AS SHOWN.  
 B. SOLDER CABLE CENTER CONDUCTOR TO CONTACT.  
 C. CENTER CONDUCTOR TO BE BENT DOUBLE PRIOR TO SOLDERING CONTACT.  
 D. SLIDE CLAMP NUT, GASKET, WASHER & CLAMP NUT OVER THE CABLE.  
 E. SLIDE SUB-ASSEMBLY TO THE REAR SIDE OF THE BODY AND TIGHTEN WITH SPANNER.
  6. RECOMMENDED CLAMP NUT TORQUE : 35-40 IN-LBS.
- 7 SHOWS CABLE ENTRY DIMENSIONS.

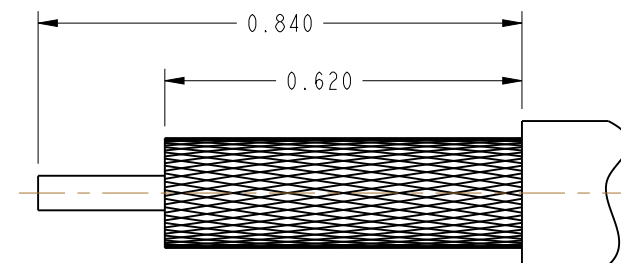
THIRD ANGLE PROJ.

REVISIONS

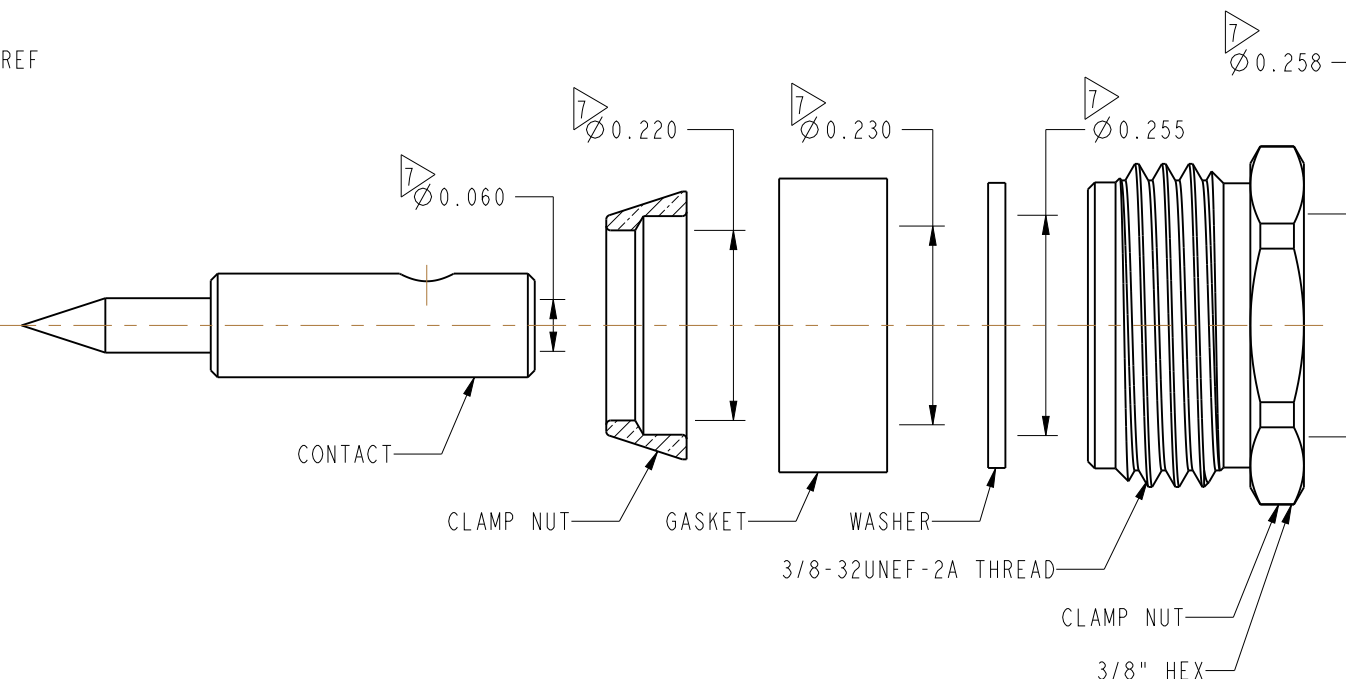
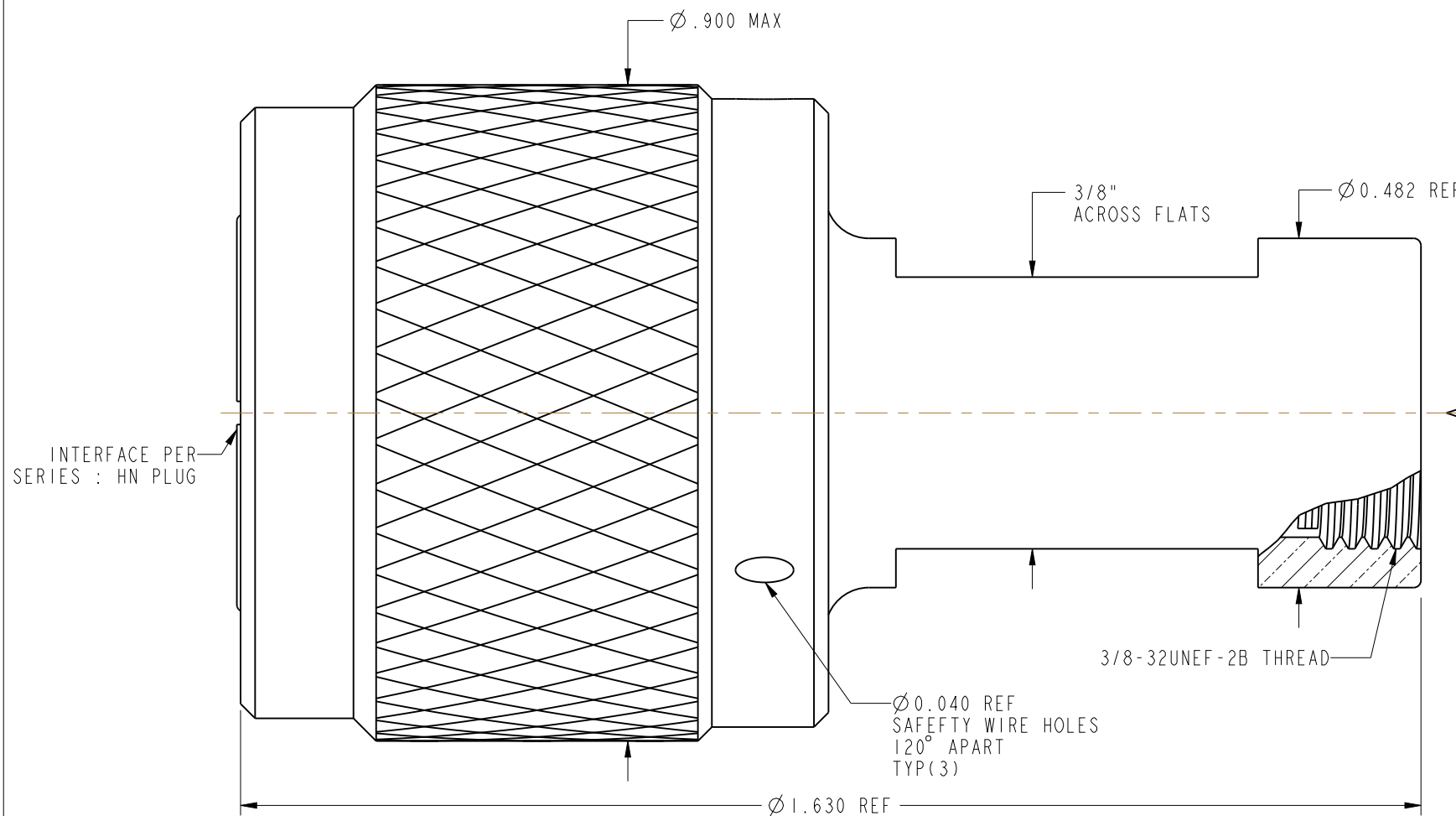
REV	DESCRIPTION	DATE	ECO	APPR
--	RELEASE TO MFG.	--	--	--
G	REDRAWN IN PRO-E & COD SHEET ADDED	22-Sep-15	50266	AAP
H	INSULATOR MATERIAL PTFE WAS ERROR	25-Oct-16	2241	VK



SCALE 1.400



RECOMMENDED CABLE STRIPPING DIMENSIONS



**CUSTOMER OUTLINE DRAWING**

ALL OTHER SHEETS ARE FOR INTERNAL USE ONLY

UNLESS OTHERWISE SPECIFIED, DIMENSIONS ARE IN INCHES AND TOLERANCES ARE: 2 PLACE DECIMAL 3 PLACE DECIMAL ANGLES ±.015 (0,381 mm) ±.005 (0,127 mm) ± 1°	MATERIAL	DRAWN	DATE	TITLE HN STR PLUG FOR RG 54/U CABLE		Amphenol RF www.amphenolrf.com	
	SEE NOTES	A ARUN PRABU	12-Nov-14				
NOTICE - These drawings, specifications, or other data (1) are, and remain the property of Amphenol corp. (2) must be returned upon request; and (3) are confidential and not to be disclosed to any person other than those to whom they are given by Amphenol Corp. the furnishing of these drawings, specifications, or other data by Amphenol Corp., or to any other person to anyone for any purpose is not to be regarded by implication or otherwise in any manner licensing, granting rights to permitting such holder or any other person to manufacture, use or sell any product, process or design, patented or otherwise, that may in any way be related to or disclosed by said drawings, specifications, or other data.	REFERENCE	ENGINEER	DATE	SCALE: 4.5:1.0 SHEET 2 OF 2		DRAWING NO.82-816-1000 ITEM NO.82-816-1000	
	EAR # AND DOR 25-21241	D.CRITELLI	07-Jan-81				
	CONFIGURATION LEVEL: In Work	APPROVED	DATE		DWG SIZE B REV H		PART NO.82-816-1000
FINISH	K.CAPOZZI	25-Oct-16	CAD FILE				