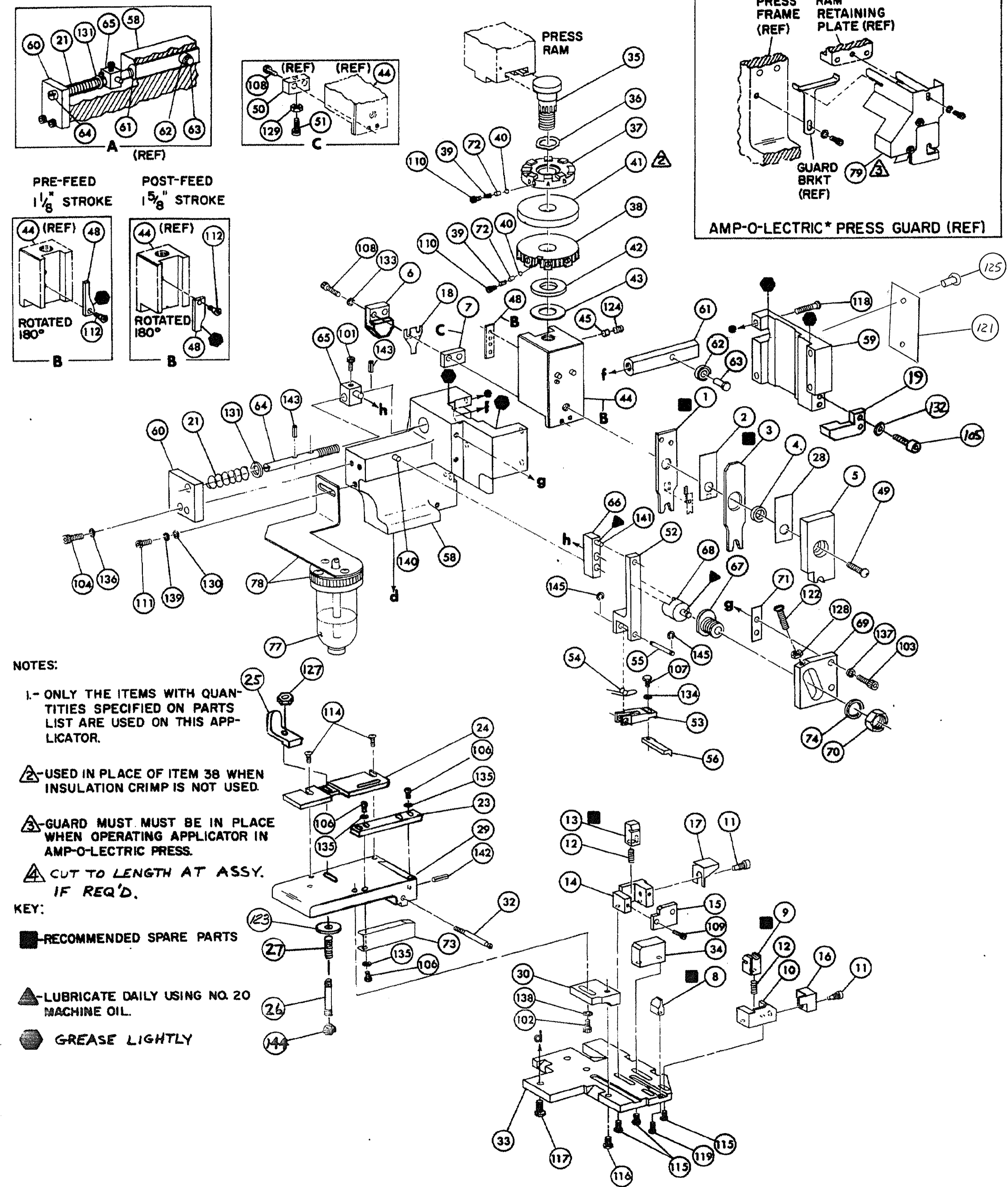


THIS IS A CONTROLLED DOCUMENT.



- NOTES:**
- 1- ONLY THE ITEMS WITH QUANTITIES SPECIFIED ON PARTS LIST ARE USED ON THIS APPLICATOR.
 - ▲ USED IN PLACE OF ITEM 38 WHEN INSULATION CRIMP IS NOT USED.
 - ▲ GUARD MUST BE IN PLACE WHEN OPERATING APPLICATOR IN AMP-O-LECTRIC PRESS.
 - ▲ CUT TO LENGTH AT ASSY. IF REQ'D.
- KEY:**
- RECOMMENDED SPARE PARTS
 - ▲ LUBRICATE DAILY USING NO. 20 MACHINE OIL.
 - GREASE LIGHTLY

QTY	PART NO	DESCRIPTION	ITEM NO	QTY	PART NO	DESCRIPTION	ITEM NO	
2	21045-3	RING, RETAINING 'C' (.187 DIA) FEED FINGER PIN	145	1	463896-1	CAP, HOUSING	59	
1	21021-3	NUT, HEX LOCK (8-32) DRAG STUD	144	1	454485-1	HOUSING	58	
2	5-21028-1	PIN, SLOT SPR (.125 DIA X .50) ADJ ROD	143				57	
1	4-21028-0	PIN, SLOT SPR (.093 DIA X .75) STR G PLATE	142	1	1-694433-3	PAWL, FEED	56	
1	1-21030-1	PIN, DOWEL (.187 DIA X .50) LEVER	141		240624-1	PIN, FEED FINGER	55	
1	1-21030-6	PIN, DOWEL (.187 DIA X 1.25) HOUSING	140		691499-1	SPRING, FEED FINGER	54	
1	21024-5	WASHER, LOCK (NO 10) LUB ASSY	139	1	690541-1	FINGER, FEED	53	
1	21024-5	WASHER, LOCK (NO 10) STRIP GUIDE ADJ BLOCK	138	1	455679-1	LEVER, TERMINAL FEED ARM	52	
2	21024-5	WASHER, LOCK (NO 10) ADJ PLATE	137			BUMPER, HOLDDOWN	51	
2	21024-5	WASHER, LOCK (NO 10) FEED GUIDE ROD	136			SPACER, TONKER	50	
2	1-21899-3	WASHER, FLAT (NO 8) FRONT STRIP GUIDE	135	1	7-21002-9	BOLT, CRIMPER	49	
1	21024-4	WASHER, LOCK (NO 8) FEED FINGER	134	1	690602-5	CAM PRE-FEED	1/8 STROKE	48
2	21024-4	WASHER, LOCK (NO 8) DEPRESSOR	133				47	
2	21024-3	WASHER, LOCK (NO 6) STRIPPER	132		459456-1	APPLICATOR, BASIC (SUB ASSY)	46	
1	21899-4	WASHER, FLAT (5/16 DIA) SCREW ADJ	131	1	690191-1	PLUG, NYLON	45	
1	21899-2	WASHER, FLAT (NO 10) LUB ASSY	130	1	455673-1	RAM	44	
1	21068-5	NUT, HEX MACH (6-32) HOLDDOWN	129	1	690125-1	WASHER, LAMINATED	43	
1	21068-5	NUT, HEX MACH (6-32) FEED ADJ	128	1	690124-1	WASHER, RAM	42	
1	21068-6	NUT, HEX MACH (8-32) DRAG STUD	127	1	690223-1	DISC, SPACER	41	
1	22353-8	SCR, SHLD. (.187 DIA X .250 LG) DRAG LEVER	126	1	23241-6	BALL, STEEL	40	
2	21017-2	SCR, DRIVE (#2 X .18) ID PLATE	125	1	690170-1	SPRING, COMPRESSION	39	
1	21009-2	SCR, SKT SET (1/4-20 X .25) (LOC-WEL) RAM	124			DISC, INSULATION	38	
1	1-21899-3	WASHER, FLAT (NO 8) DRAG	123	1	690141-5	DISC, WIRE	37	
1	3-21064-2	SCR, RD HD MACH (6-32 X 1.50) FEED ADJ	122	1	22480-5	WASHER, SPRING	36	
1	461264-1	PLATE, I. D.	121	1	690212-1	POST, RAM	35	
1	2-21002-9	SCR, BUT HD SKT CAP (10-32 X .75) DRAG	120			SUPPORT, TERMINAL	34	
1	22733-8	SCR, BUT HD SKT CAP (8-32 X .38) (LOC-WEL) ANVIL	119	1	455675-2	PLATE, BASE	33	
4	2-21002-9	SCR, BUT HD SKT CAP (10-32 X .75) CAP	118	1	690432-3	SCREW, ADJUSTMENT	32	
3	2-22733-8	SCR, BUT HD SKT CAP (1/4-20 X .62) HOUSING	117				31	
1	2-21002-7	SCR, BUT HD SKT CAP (10-32 X .50) SG ADJ BLOCK	116	1	455689-1	BLOCK, STRIP GUIDE ADJ	30	
2	2-21002-2	SCR, BUT HD SKT CAP (8-32 X .50) SHEAR	115	1	460042-6	PLATE, STRIP GUIDE	29	
2	1-21002-7	SCR, BUT HD SKT CAP (6-32 X .38) R STRIP GUIDE	114			SPACER, FRONT SHEAR DEPRESSOR	28	
1	2-21003-0	SCR, FLAT HD SKT CAP (6-32 X .50) CAM	113	1	2-22281-3	SPRING, DRAG	27	
1	3-21000-4	SCR, SKT HD CAP (10-32 X .38) LUBRICATOR ASSY	111	1	22354-8	STUD, DRAG	26	
1	23030-1	SCR, SKT HD CAP (6-32 X .25) (LOC-WEL) CP DISC	110	1	387650-5	DRAG, STOCK	25	
1	2-21000-6	SCR, SKT HD CAP (8-32 X .34) DEPRESSOR	108	1	460462-6	GUIDE STRIP (REAR)	24	
1	2-22603-0	SCR, HEX HD MACH (8-32 X .31) FEED FINGER	107	1	454204-3	GUIDE, STRIP (FRONT)	23	
2	1-21000-9	SCR, SKT HD CAP (6-32 X .38) F STRIP GUIDE	106				22	
2	1-21000-9	SCR, SKT HD CAP (6-32 X .36) STRIPPER	105	1	468905-1	STRIPPER	19	
2	3-21000-7	SCR, SKT HD CAP (10-32 X .75) FEED ROD GUIDE	104			HOLDER, TERMINAL	18	
2	3-21000-6	SCR, SKT HD CAP (10-32 X .62) FEED ADJ BLOCK	103			GUARD, CHIP (REAR)	17	
1	3-21000-4	SCR, SKT HD CAP (10-32 X .38) SG ADJ BLOCK	102			GUARD, CHIP (FRONT)	16	
1	3-21000-4	SCR, SKT HD CAP (10-32 X .38) PIVOT BLOCK	101			PLATE, SHEAR (REAR)	15	
REF	455749-1	GUARD, WINDOW	79	1	690462-1	HOLDER, SHEAR (REAR)	14	
1	1-465184-0	LUBRICATOR ASSY	78	1	468909-1	SHEAR, FLOAT (REAR)	13	
		OIL, LUBRICATING	77	1	5-22280-0	SPRING, SHEAR	12	
			76	1	690461-1	STOP, SHEAR	11	
			75			HOLDER, SHEAR (FRONT)	10	
			74			SHEAR, FLOAT (FRONT)	9	
	458109-1	WASHER, SPECIAL	73	1	8-690512-7	ANVIL	8	
		PLATE, STRIP GUIDE COVER	72			SPACER, DEPRESSOR (REAR)	7	
	690603-1	SPRING, ASSIST	71	1	468888-1	DEPRESSOR, SHEAR (REAR)	6	
	690517-1	SPACER	70			DEPRESSOR, SHEAR (FRONT)	5	
	22594-8	NUT, HEX	69			SPACER, TUBULAR, INS CRIMPER	4	
	240628-1	PLATE, ADJUSTMENT	68			CRIMPER, INSULATION	3	
	240626-1	SHAFT, PIVOT	67			SPACER, CRIMPER	2	
	240633-1	BUSHING	66	1	467631-2	CRIMPER, WIRE	1	
	455680-1	LEVER, INTERMEDIATE	65					
	240629-1	BLOCK, PIVOT	64					
	240632-2	SCREW, ADJUSTMENT FEED ROD	63					
	240659-3	PIN, CAM ROLLER	62					
	240658-1	ROLLER, CAM	61					
	454398-2	ROD, FEED	60					
	454178-1	GUIDE, FEED ROD	59					

CRIMPING DATA				APPLICATOR WILL APPLY	
PAD LTR	CRIMP HEIGHT	WIRE SIZE	WIRE STRIP LENGTH	640558	
A	.050	18			
B	.045	20			
C	.042	22			
D	NOT USED				
CRIMP	SIZE	TYPE	FEED	APPL INST	
WIRE	.070	F	750	A1 8040	
INSUL	7				
WIRE RANGE		INSULATION RANGE		PRESS NO	
22-18		-H		565435-5	
REMARKS					
AMP-O-LECTRIC PRE-FEED					
(REF) I. D. PLATE: 461264-1					

REVISION RECORD	APP DATE	REVISION RECORD	APP DATE

REVISION RECORD	APP DATE	REVISION RECORD	APP DATE

