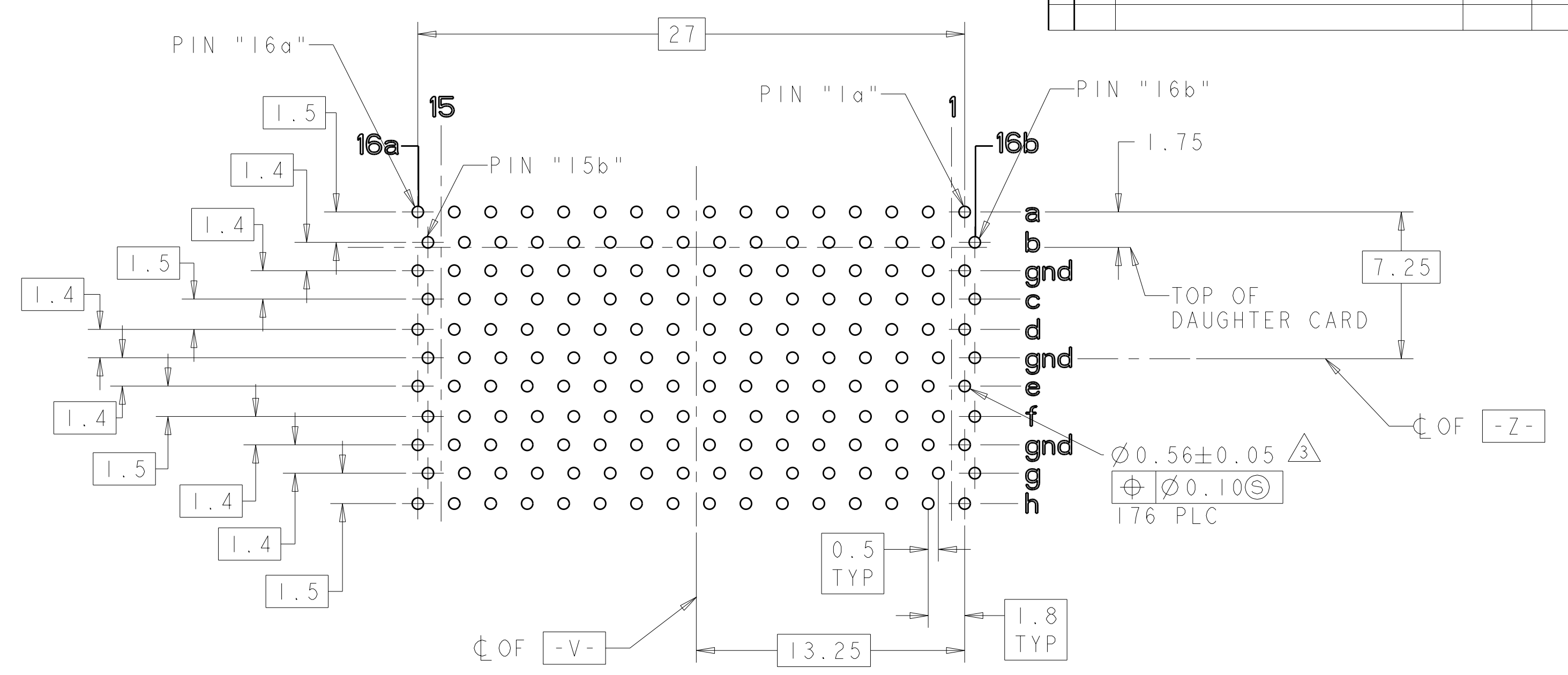
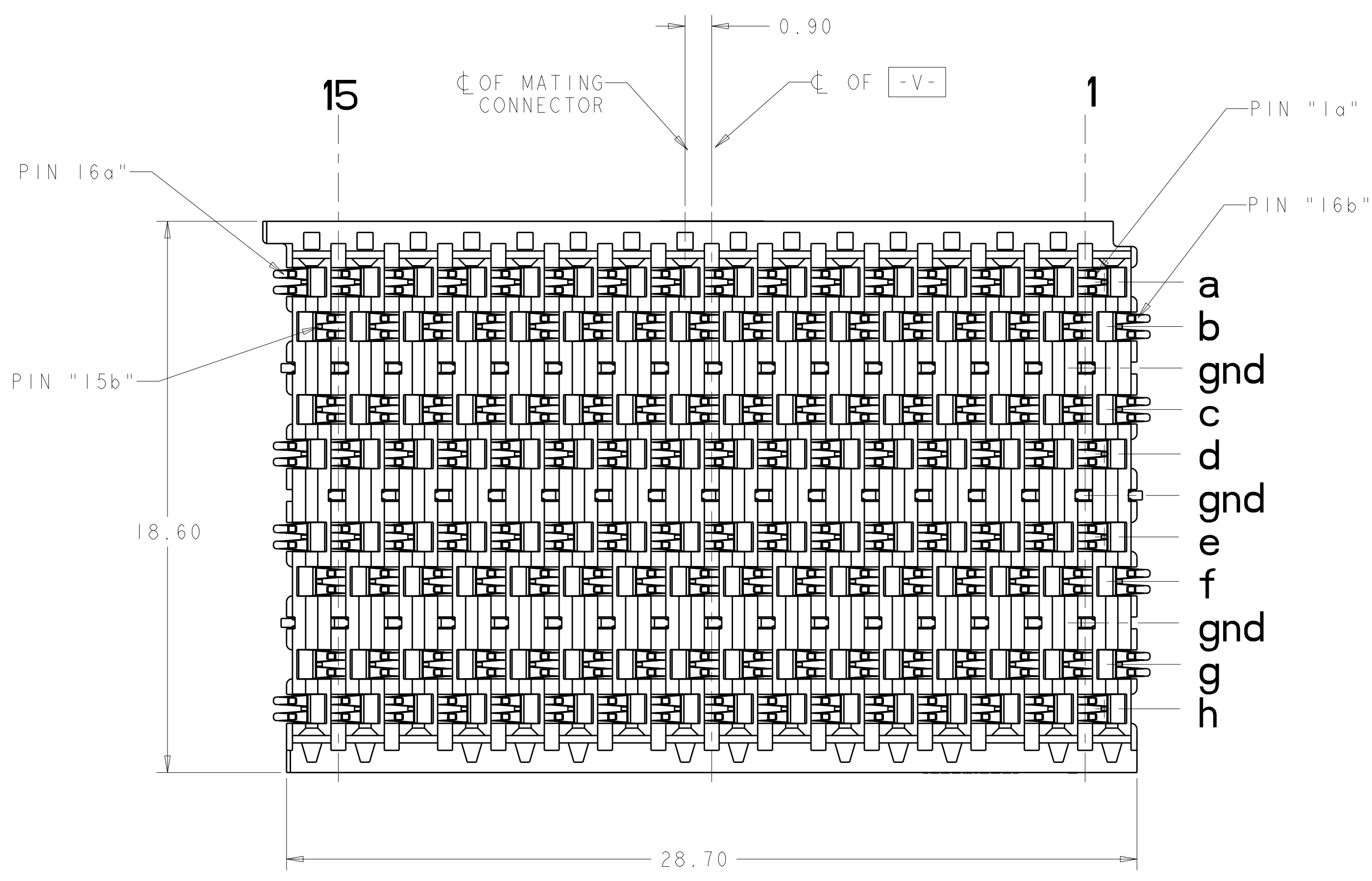
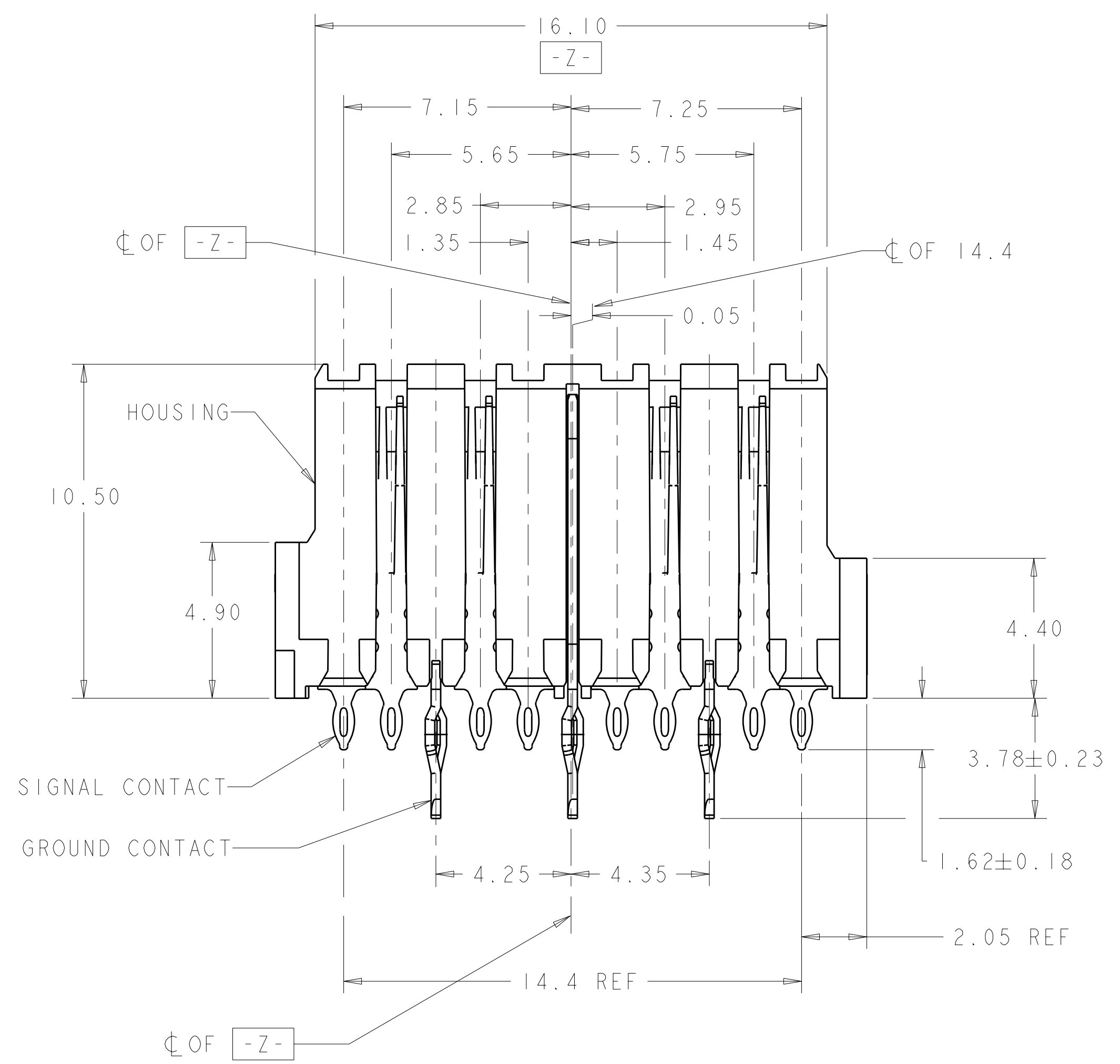
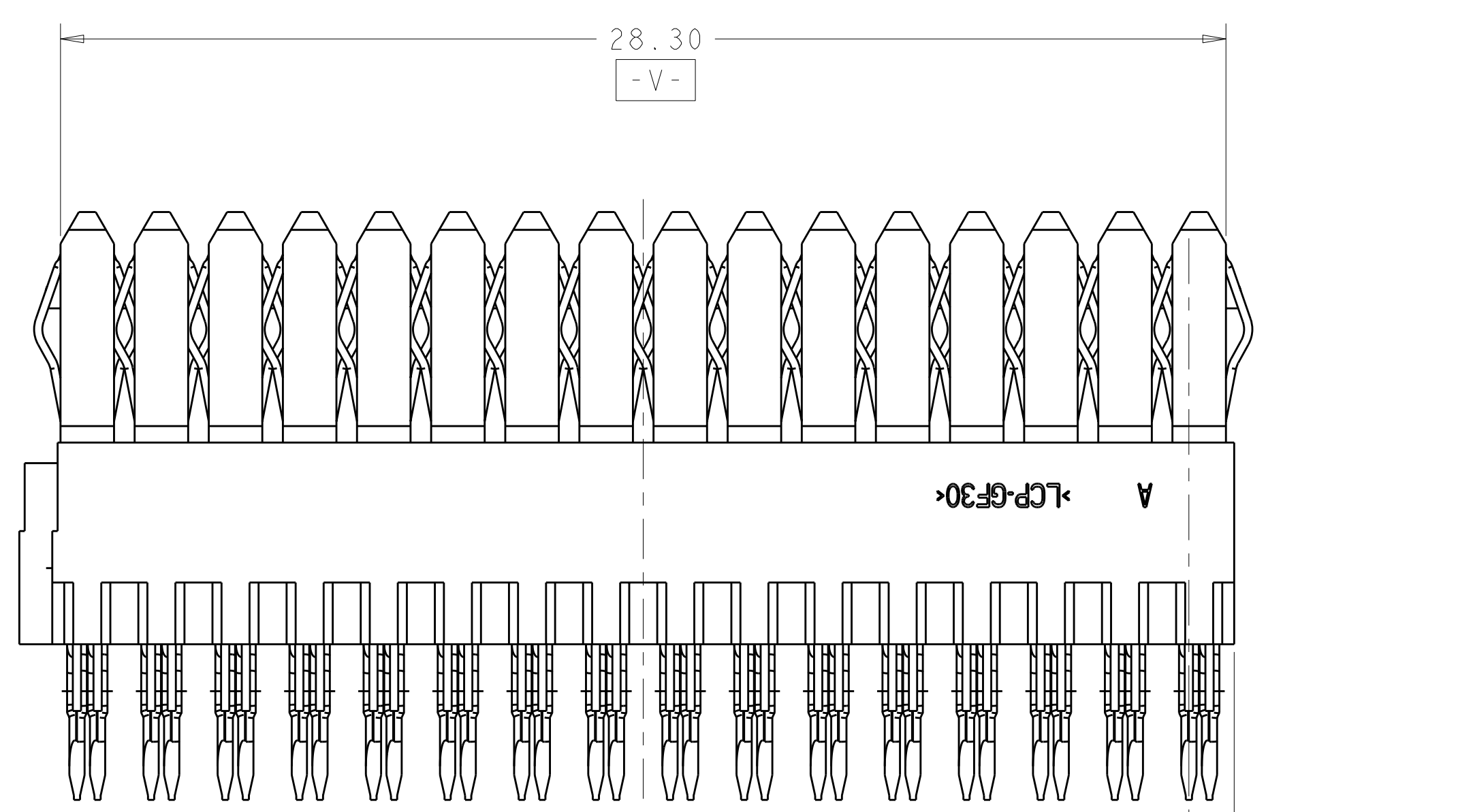


LOC		DIST		REVISIONS			
AD	00	P	LTR	DESCRIPTION	DATE	DWN	APVD
		A		EC 0512-0341-04	29JUL2004	BW	GG
		B		REV PER ECO-11-003264	25AUG2011	RG	AS



PC BOARD FOOTPRINT
 VIEWED FROM CONNECTOR SIDE
 SCALE 5:1



- 1 HOUSING: LCP, UL94V-0, BLACK.
CONTACT: PHOSPHOR BRONZE.
- 2 1.27μm GOLD PER ASTM B 488 IN CONTACT AREA, 1.27μm MIN TIN-LEAD ON PCB TAIL, OVER 3.81μm MIN NICKEL PER SAE AMS-QQ-N-290 OVER ALL.
- 3 MANUFACTURING TOLERANCE FOR $\varnothing 0.56 \pm 0.05$ DIAMETER FINISHED HOLE:
DRILLED HOLE: $\varnothing 0.65 \pm 0.02$
COPPER PLATING: 0.050 - 0.025
TIN-LEAD PLATING: 0.0124 - 0.0038.
- 4 1.27 μm GOLD PER ASTM B 488 IN CONTACT AREA, 1.27 μm MIN MATTE TIN PER ASTM B 545 ON PCB TAIL, OVER 3.81 μm MIN NICKEL PER SAE AMS-QQ-N-290 OVER ALL.
- 5 MANUFACTURING TOLERANCE FOR A $\varnothing 0.575 \pm 0.045$ FINISHED HOLE WITHOUT TIN LEAD PLATING:
DRILLED HOLE: $\varnothing 0.65 \pm 0.02$
COPPER PLATING: 0.025 - 0.050

4	5	1410200-2
2	3	1410200-1
CONTACT TAIL/HOLE FINISH		PART NO

DIMENSIONS: mm 		TOLERANCES UNLESS OTHERWISE SPECIFIED: 9 PLC ± 1 PLC ±0.5 3 PLC ±0.13 5 PLC ± 4 PLC ± ANGLES ±1°		DWN: REESER 19OCT2001 CHK: W. VAN SCYOC 19OCT2001 APVD: D. DEBRAUGH 19OCT2001 PRODUCT SPEC 108-2072 APPLICATION SPEC 114-13056 WEIGHT CUSTOMER DRAWING		Tyco Electronics Harrisburg, PA 17105-3608 NAME: VERTICAL RECEPTACLE ASSEMBLY, CENTER, FULL, 20.3mm, MultiSig RT-1 BACKPLANE CONNECTOR SIZE: A11 CAGE CODE: 00779 DRAWING NO: 1410200 SCALE: 8:1 SHEET: 1 OF 1 REV: B	
-----------------------	--	--	--	--	--	---	--