

6

5

4

3

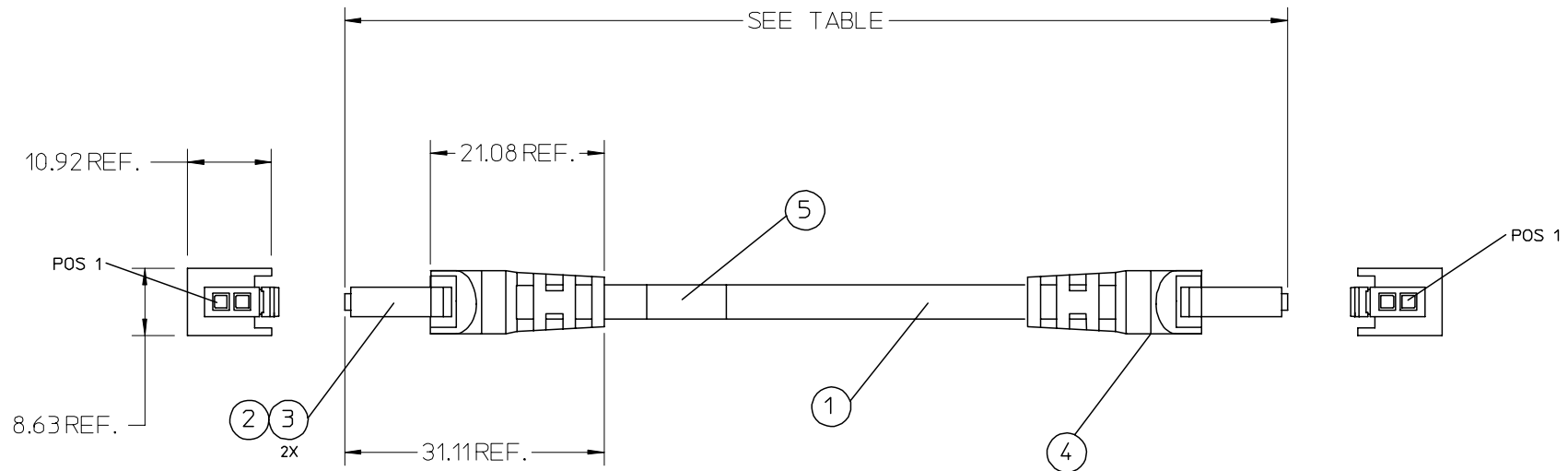
2

1

| P/N | LENGTH |
|------------|---------------|
| 79516-1021 | 1000 +/-50MM |
| 79516-1023 | 3000 +/-100MM |
| 79516-1025 | 5000 +/-150MM |

EXT. "A"

EXT. "B"



NOTES:

- PIN CONNECTION ACCORDING TO TABLE.
- LABEL CABLE WITH FOLLOWING INFORMATION:
P/N (SEE TABLE)
REV. (SEE REVISION TABLE)
M/D WW/YY
ASSEMBLED IN MEXICO

WIRING CHART

| EXT. "A" | | EXT. "B" |
|----------|-------|----------|
| POS. | COLOR | POS. |
| 1 | BLACK | 1 |
| 2 | WHITE | 2 |

| ITEM | P/N | DESCRIPTION | QTY |
|------|------------|---------------------------------------|------|
| 5 | 0799212000 | PLASTIC LABEL 0-TW10F | 1 PC |
| 4 | 0899920428 | PVC 15% MF BLACK UL94V-2 | A/R |
| 3 | 0430300004 | MicroFit 3.0 F Crp Term Chn Tin 26-30 | 4 PC |
| 2 | 0430250200 | MicroFit 3.0 DR Rcpt PnlMnt 2Ckt | 2 PC |
| 1 | 0799232214 | CABLE 2 COND, 26AWG, JACKETED | A/R |

| | | | | | | | | | | | | |
|---|------------------|-------------------------------|--|-------|----------------------------|---|---------------------|---|------------------------|--|--|--|
| RELEASED EC NO: MEX2006-0156 DRWN: AOROZCO 2006/03/31 CHKD: ACUEVAS 2006/03/31 APPR: ACUEVAS 2006/04/03 | DESCRIPTION A | QUALITY SYMBOLS ▽=0 ▽=0 | GENERAL TOLERANCES (UNLESS SPECIFIED) | | DIMENSION STYLE MM ONLY | | SCALE --- | DESIGN UNITS METRIC | THIRD ANGLE PROJECTION | | | |
| | | | | mm | INCH | DRAWN BY AOROZCO | DATE 10/10/2003 | TITLE MICRO-FIT OVERMOLDED ASSEMBLY 2 CKT 1, 3 & 5 MTS. | | | | |
| | | | 4 PLACES | ± --- | ± --- | CHECKED BY AOROZCO | DATE 10/10/2003 | | | | | |
| | | | 3 PLACES | ± --- | ± --- | APPROVED BY ACUEVAS | DATE 10/10/2003 | | | | | |
| 2 PLACES | ± --- | ± --- | ANGULAR ± ---° | | MATERIAL NO. VARIOS | DOCUMENT NO. SD-79516-001 | SHEET NO. 1 OF 1 | | | | | |
| 1 PLACE | ± --- | ± --- | DRAFT WHERE APPLICABLE MUST REMAIN WITHIN DIMENSIONS | | SIZE A | THIS DRAWING CONTAINS INFORMATION THAT IS PROPRIETARY TO MOLEX INCORPORATED AND SHOULD NOT BE USED WITHOUT WRITTEN PERMISSION | | | | | | |

5

4

3

2

1