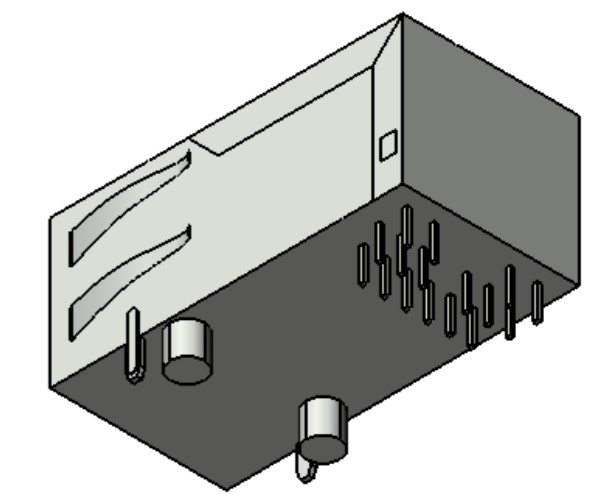
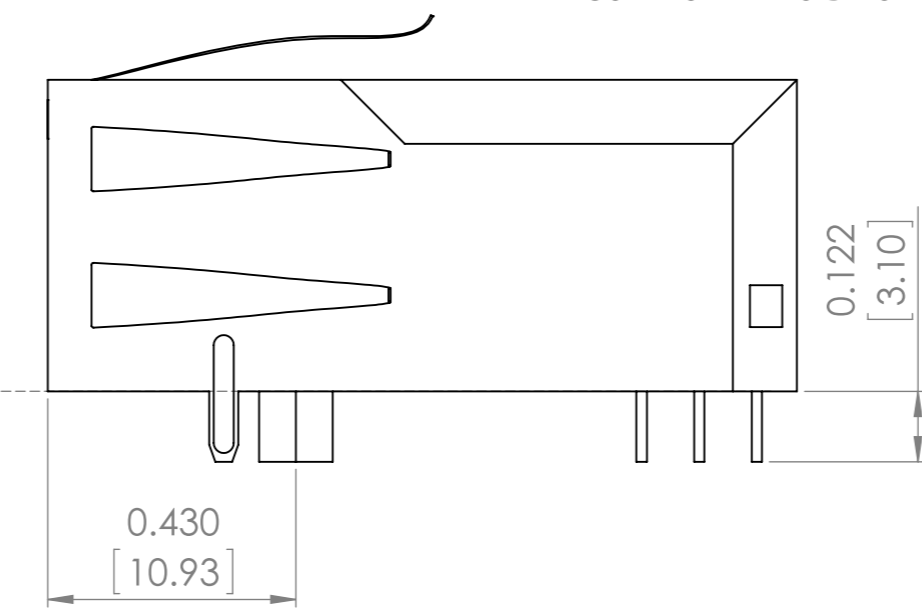
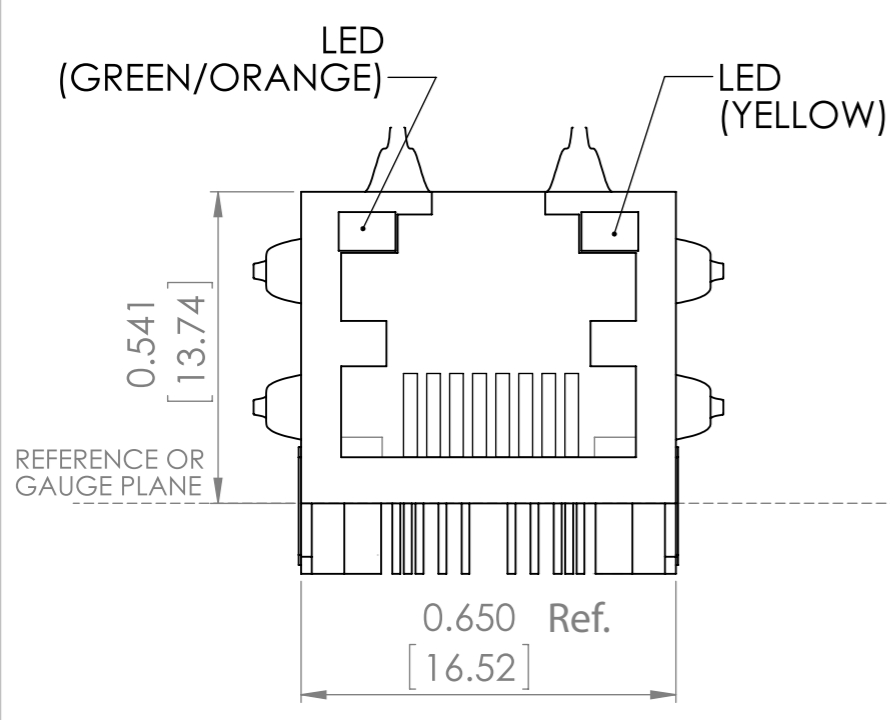



↑
Chip side
↓
Cable side

PC BOARD LAYOUT
COMPONENT SIDE SHOWN



TOP PACKAGE MARKING IS FOR ILLUSTRATION PURPOSES ONLY

DO NOT SCALE DRAWING	REVISION -
 ABRACON LLC <i>The Power of Linking Together</i>	
Apracon LLC, 2 Faraday, Suite#B Irvine, Ca. 92618	
TITLE:	RJ45
DWG NO.:	ARJE-0027
SCALE:3:1	SHEET 1 OF 1