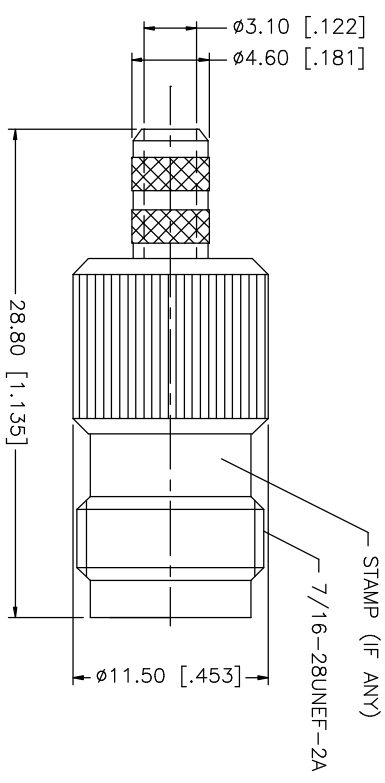
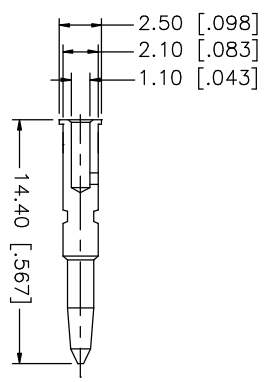
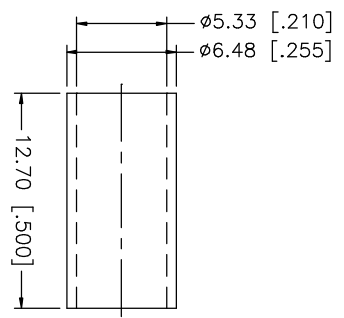
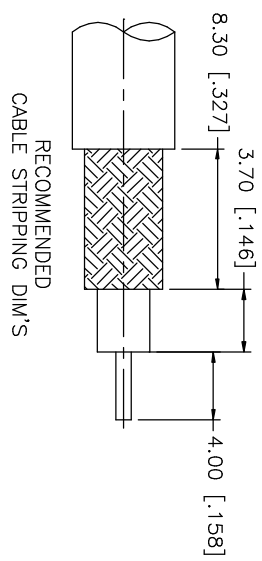


REV.	DATE	DESCRIPTION
A	09/01/98	MODIFY CONTACT I.D.
B	06/05/03	UPDATE DRAWING FORMAT



NOTE:
 1. CRIMPED FERRULE
 HEX CRIMP SIZE .213"
 2. CRIMPED CONTACT PIN
 HEX CRIMP SIZE .068"

DESCRIPTION	MATERIAL	FINISH	QTY	UNLESS OTHERWISE SPECIFIED DIMENSIONS ARE IN MILLIMETERS. DIMENSIONS IN [] ARE IN INCHES AND FOR CUSTOMER REFERENCE ONLY. TOLERANCES FOR MILLIMETERS ARE: 0.5 - 8mm ± 0.20mm 8 - 30mm ± 0.40mm 30 - 120mm ± 0.50mm UNLESS OTHERWISE SPECIFIED TOLERANCES FOR INCHES ARE: .020 - .315 = ± 0.007" .315 - 1.180 = ± 0.015" 1.180 - 4.724 = ± 0.020"	DO NOT SCALE DRAWING	CAD FILE	APPROVALS	DATE	DWG. NO.	REV.	SIZE	SCALE
1	INSULATOR	TEFLON	NATURAL	1								
2	CONTACT PIN	BRASS	GOLD	1								
3	INSULATOR	COPPER	NICKEL	1								
4	FERRULE	COPPER	NICKEL	1								
5												
6												
7												
8												
					DRAWN G.R.S.		06/05/03					
					CHECKED							
					ISSUED							
					SHEET		1 OF 1					
					PART NO.		122122RP					
					PRT DESCRIPTION		TNC CRIMP JACK - REVERSE POLARIZED RG58/U CABLE					
					DRAWING NO.		122122RP.DWG					
					REV.		NC		SIZE		A	
					SCALE		NA					

Amphenol Connex