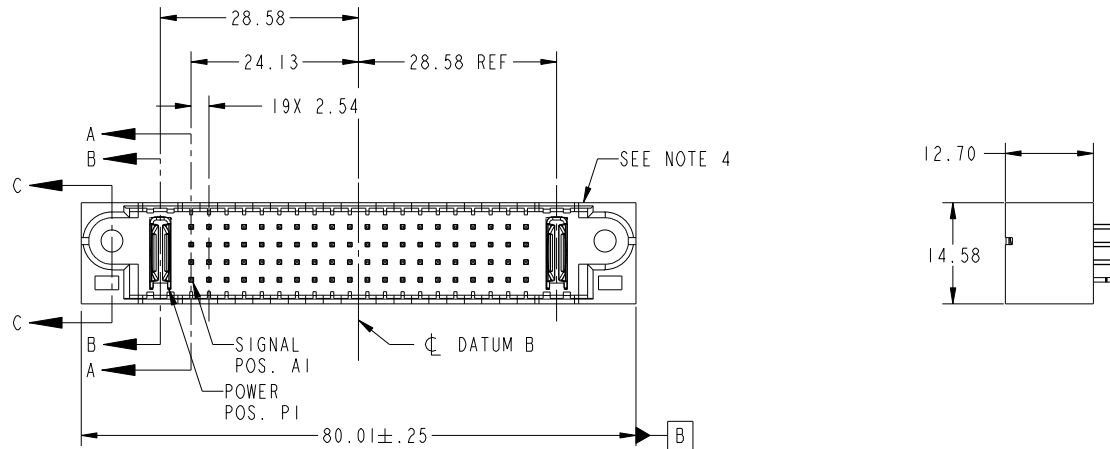


Tous droits strictement reserves. Reproduction ou communication a des tiers interdite sous quelque forme que ce soit sans autorisation écrite du propriétaire. Propriete de c FCI. Droits de reproduction FCI.



All rights strictly reserved. Reproduction or issue to third parties in any form whatever is not permitted without written authority from the proprietor. Property of FCI. Copyright FCI.

PRODUCT NO.	ROWS	PWR		SIGNAL																	PWR		
		E1	P1	1	2	3	4	5	6	7	8	9	10	11	12	13	14	15	16	17	18	19	20
51710-027-- NOTE ③	D C B A																						



CODE	DIM "M" MATING LENGTH	CONTACT TYPE
PA	[N/A]	POWER
H	[5.59]	SIGNAL
HA	[N/A]	HOLD-DOWN
E	[6.86]	SIGNAL

mat'l code				tolerances unless otherwise specified				CUSTOMER			
ltr	ecn no.	dr	date	linear	0.X ± 0.5			COPY		www.fciconnect.com	
A	DG07-0132	JMG	04/05/07		0.XX ± 0.25			projection		title	
B	DG08-0273	JW	12/05/08		0.XXX ± 0.10					IP + 80S + IP VERTICAL SOLDER HEADER	
				angles	0° ± 2°					product family	
				dr	JM GUO 04/05/07			scale		PwrBlade	
				enr	RYAN YUAN 04/05/07			1:1		code	
				chr	GARY HSIEH 04/05/07			A		213	
				appd	JOSEPH HSIA 04/05/07			51710-027		sheet	
sheet index		revision sheet		B	B	B	B				
		1	2	3	4						
										cage code	
										22526	

Pro/E

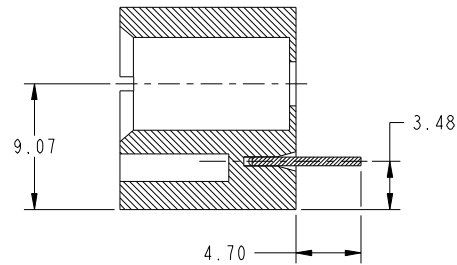
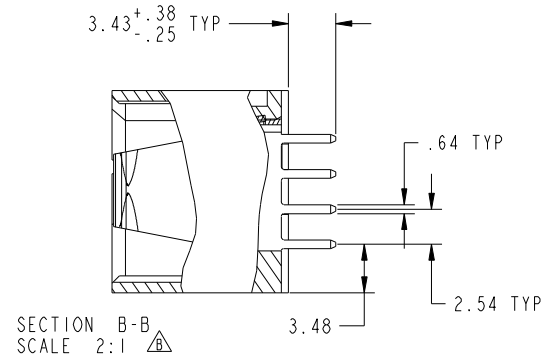
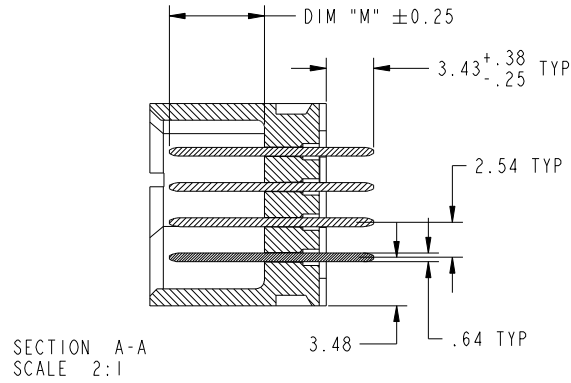
cage code 22526

Tous droits strictement reserves. Reproduction ou communication a des tiers interdite sous quelque forme que ce soit sans autorisation écrite du propriétaire. Propriete de c FCI. Droits de reproduction FCI.



All rights strictly reserved. Reproduction or issue to third parties in any form whatever is not permitted without written authority from the proprietor. Property of FCI. Copyright FCI.

PRODUCT NUMBER  
51710-027--  
NOTE 3



mat'l code				tolerances unless otherwise specified		CUSTOMER		 www.fciconnect.com	
ltr	ecr no.	dr	date	linear	0.X ±0.5	COPY		 title IP + 80S + IP VERTICAL SOLDER HEADER	
B					0.XX ±0.25	 product family PwrBlade code 213			
					0.XXX ±0.10	 size dwg no 51710-027 sheet 2 of 4			
				angles	0° ±2°	scale 1:1			
				dr	JM GUO 04/05/07				
				enr	RYAN YUAN 04/05/07				
				chr	GARY HSIEH 04/05/07				
				appd	JOSEPH HSIA 04/05/07				
sheet index		revision sheet							

cage code 22526

Pro/E

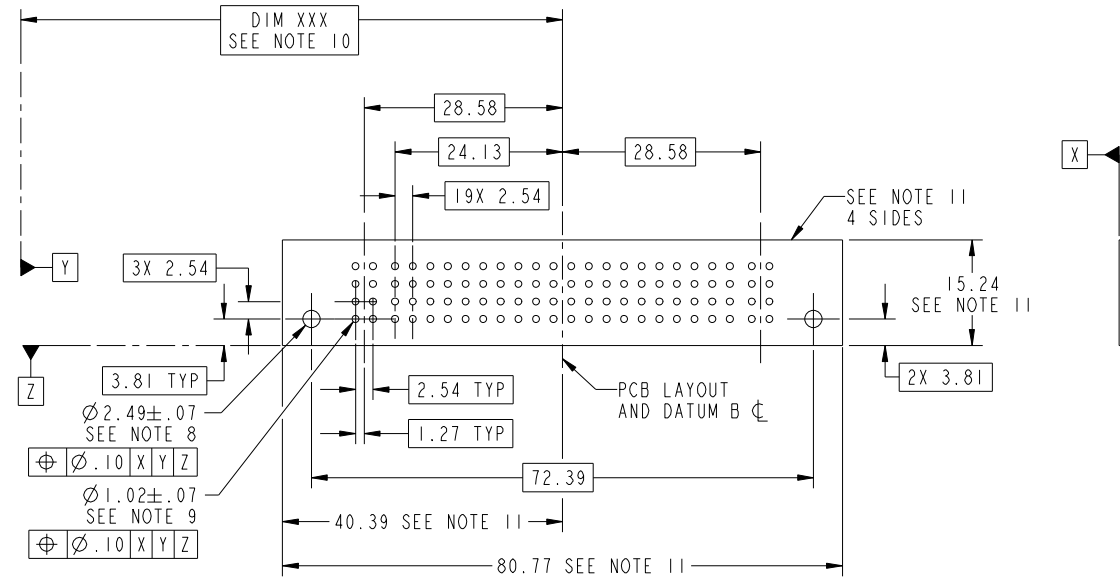
Tous droits strictement reserves. Reproduction ou communication a des tiers interdite sous quelque forme que ce soit sans autorisation écrite du propriétaire. Propriete de c FCI. Droits de reproduction FCI.



All rights strictly reserved. Reproduction or issue to third parties in any form whatever is not permitted without written authority from the proprietor. Property of FCI. Copyright FCI.

PRODUCT NUMBER  
51710-027\_\_  
NOTE 3

1 | 2 | 3 | 4



A

A

mat'l code				tolerances unless otherwise specified		CUSTOMER		FCI	
ltr	ecn no.	dr	date	linear	0.X ±0.5	COPY		www.fciconnect.com	
B					0.XX ±0.25	projection		title	
				angles	0.XXX ±0.10			IP + 80S + IP VERTICAL SOLDER HEADER	
				dr	0° ±2°	MIM		product family	PwrBlade
				enrg	JM GUO 04/05/07	scale		size	code
				chr	RYAN YUAN 04/05/07	1:1		dwg no	213
				appd	GARY HSIEH 04/05/07			A	51710-027
					JOSEPH HSIA 04/05/07				
sheet index	revision sheet								

B

B

1 | 2 | Pro/E | 3 | cage code 22526 | 4

Tous droits strictement reserves. Reproduction ou communication a des tiers interdite sous quelque forme que ce soit sans autorisation écrite du propriétaire. Propriete de c FCI. Droits de reproduction FCI.



All rights strictly reserved. Reproduction or issue to third parties in any form whatever is not permitted without written authority from the proprietor. Property of FCI. Copyright FCI.

PRODUCT NUMBER  
51710-027--  
NOTE 3

NOTES:

1. DIMENSIONS AND TOLERANCES ARE IN ACCORDANCE WITH ASME Y14.5M, 1994 UNLESS OTHERWISE SPECIFIED.

CONNECTOR NOTES:

- 2 HOUSING MATERIAL: UL 94 V-0 GLASS FILLED  
HIGH-TEMP THERMOPLASTIC  
POWER CONTACT MATERIAL: COPPER ALLOY  
SIGNAL PIN MATERIAL: COPPER ALLOY
  - 3. PLATING:  
SEE ITEM 1 & 2 IN PRINT 10064183 FOR PLATING SPEC OF 51710-027; 51710-027LF PRESPECTIVELY
  - 4 MANUFACTURER'S NAME, P/N, AND DATE CODE TO APPEAR ON THIS SURFACE.
  - 5. PRODUCT SPECIFICATION GS-12-149.  
APPLICATION SPECIFICATION BUS-20-067.
  - 6. PACKAGED IN TRAYS.
- PCB NOTES:
- 7. ALL HOLE DIAMETERS ARE FINISHED HOLE SIZE.
  - 8. MOUNTING HOLES, WHERE APPLICABLE, ARE UNPLATED.
  - 9  $\varnothing 1.151 \pm 0.025$  DRILLED HOLES PLATED WITH  
0.008 MIN SnPb OR Sn OVER 0.03  
TO 0.08 Cu PLATING TO ACHIEVE  
 $\varnothing 1.02 \pm 0.07$  HOLE.
  - 10 "DIM XXX" TO BE DETERMINED BY THE CUSTOMER.
  - 11 CONNECTOR KEEP-OUT ZONE.
  - 12. A  $\Delta$  SYMBOL WILL BE NEXT TO ANY DIMENSION, VIEW, OR NOTE WHICH HAS BEEN MODIFIED WITH THE CURRENT DRAWING REVISION.

mat'l code				tolerances unless otherwise specified		CUSTOMER		FCI	
ltr	ecn no.	dr	date	linear	0.X ±0.5	COPY		www.fciconnect.com	
B				linear	0.XX ±0.25	projection	title		
				angles	0.XXX ±0.10		IP + 80S + 1P VERTICAL SOLDER HEADER		
				dr	0° ±2°	MIM	product family	PwrBlade	code
				engr	JM GUO 04/05/07	← MIM →	size	dwg no	213
				chr	RYAN YUAN 04/05/07	scale	A	51710-027	sheet
				appd	GARY HSIEH 04/05/07	1:1			4 of 4
					JOSEPH HSIA 04/05/07				
sheet index	revision sheet								

cage code 22526

Pro/E