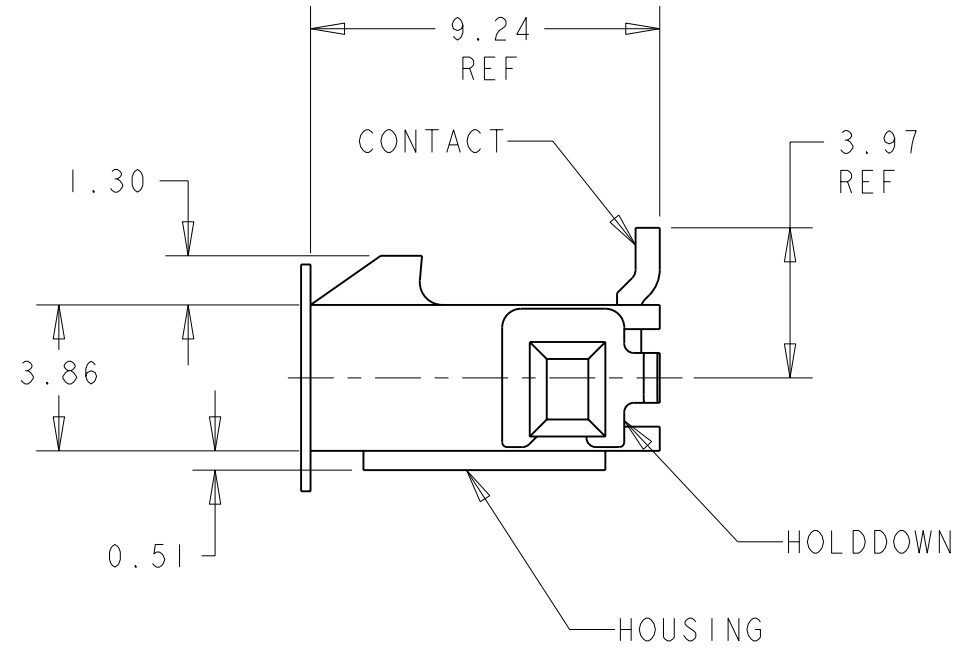
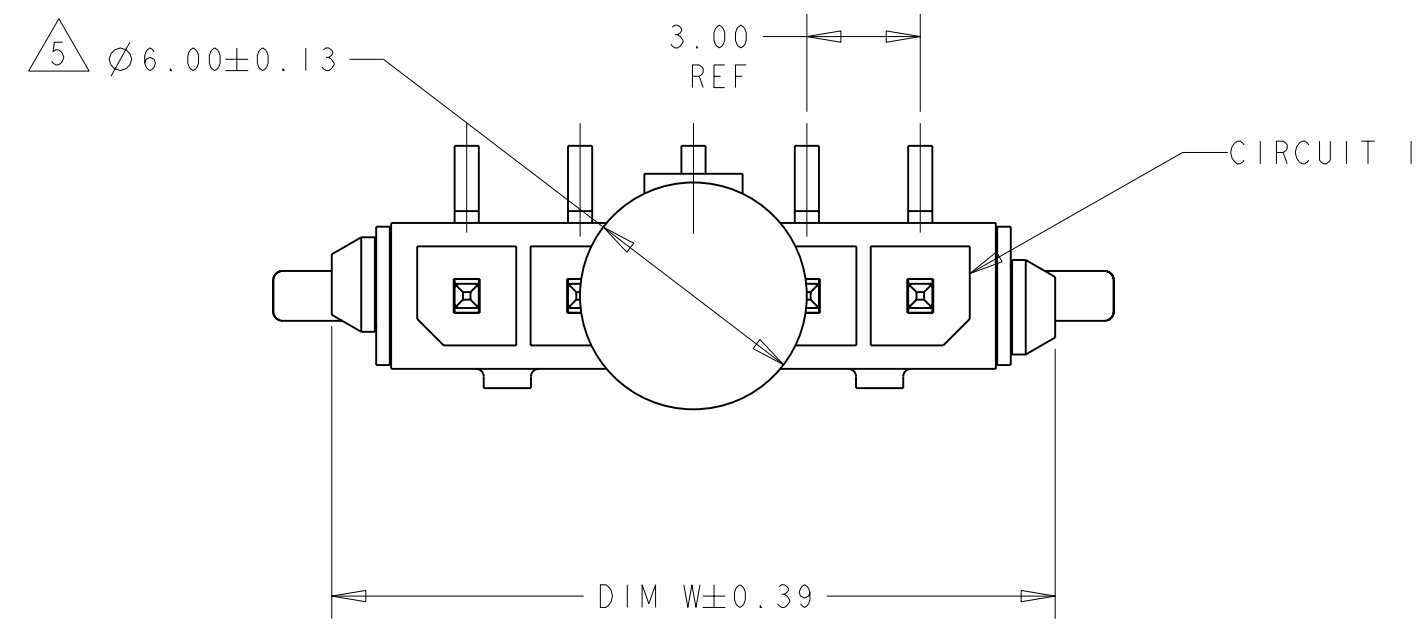
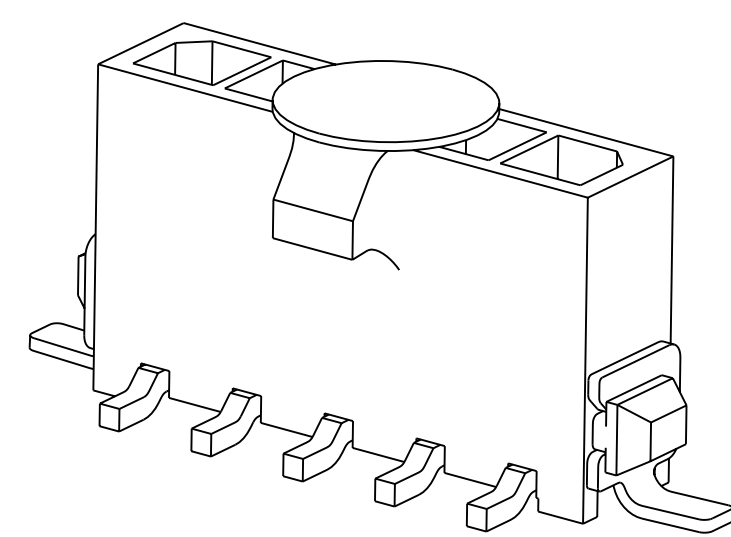
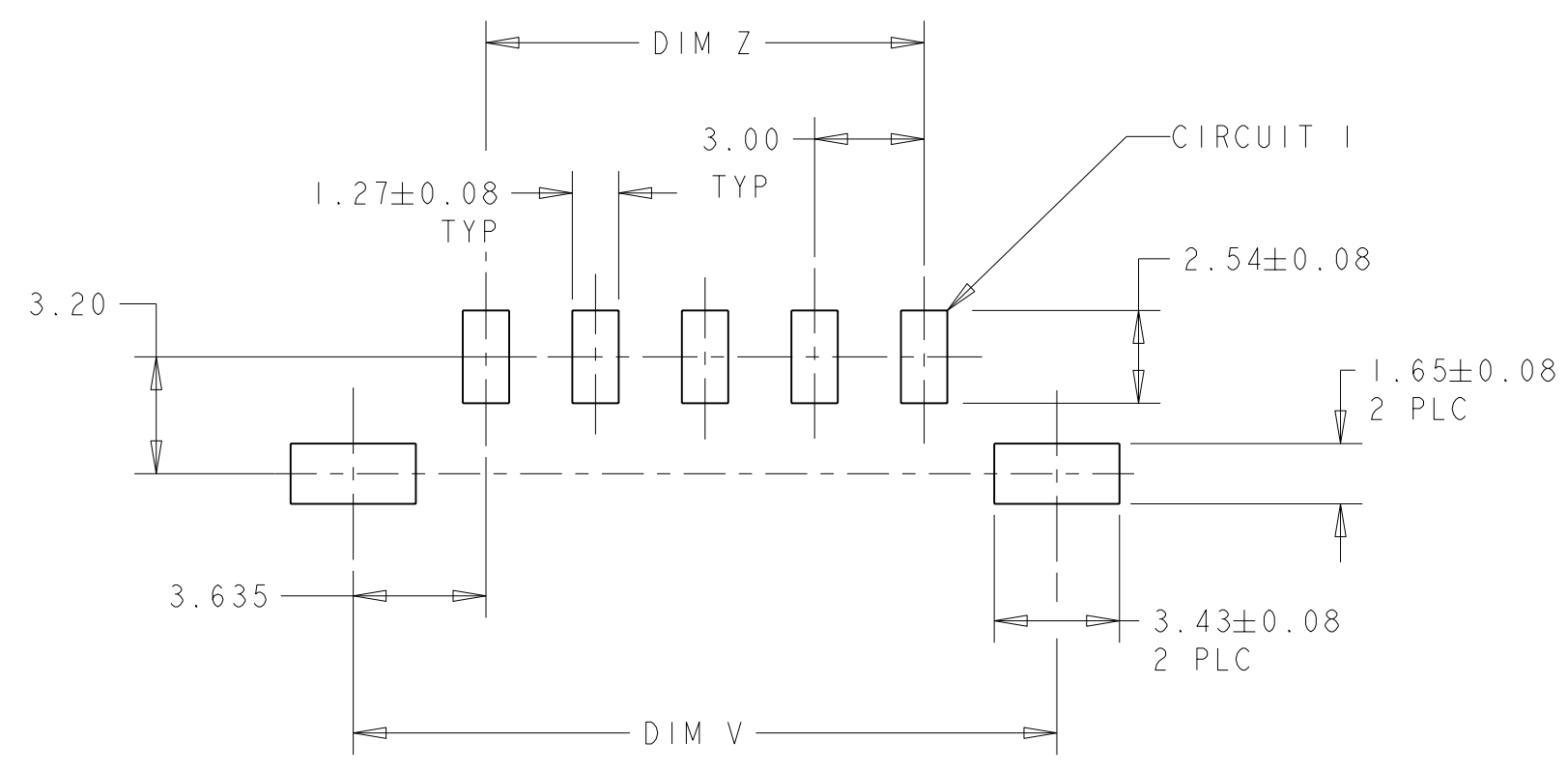
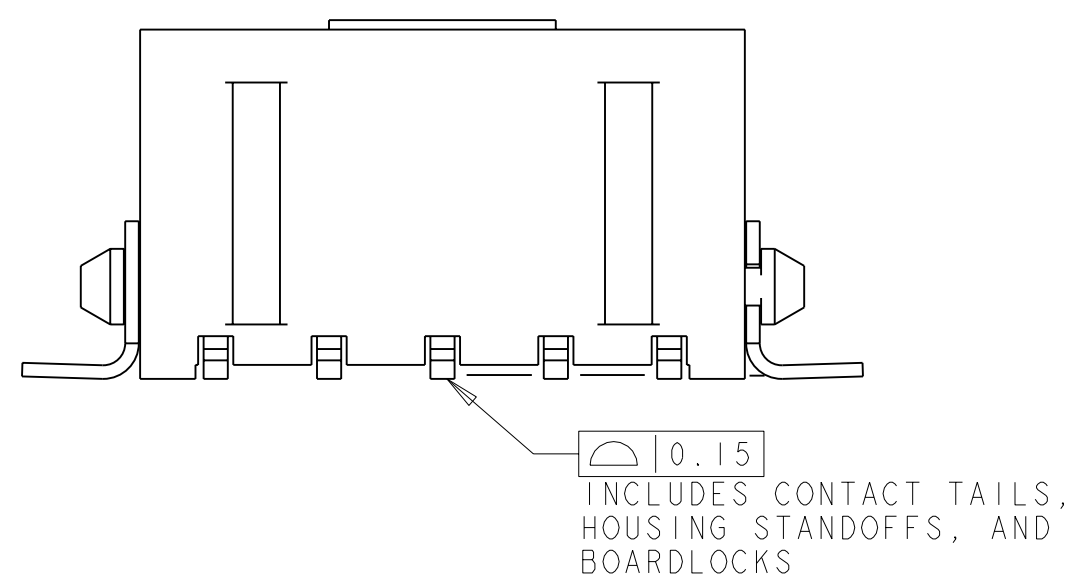


THIS DRAWING IS UNPUBLISHED.
 RELEASED FOR PUBLICATION
 BY AMP INCORPORATED. ALL RIGHTS RESERVED.

LOC		DIST		REVISIONS			
P	LTR	DESCRIPTION	DATE	DWN	APVD		
	B	REVISED PER 0G3B-0205-05	25-APR-05	KW	CJ		

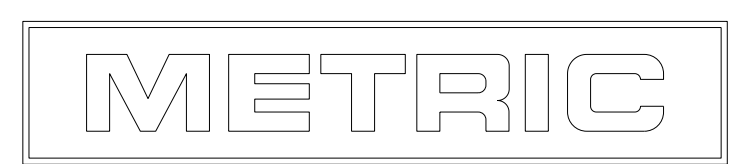


- 1 MATERIAL: CONTACTS - BRASS
HOUSING - UL 94V-0 RATED HIGH TEMP NYLON, COLOR BLACK.
HOLDDOWNS: - PHOSPHOR BRONZE.
- 2 PLATING: CONTACTS - 0.38µm MINIMUM GOLD ON MATING END,
2.54µm MINIMUM TIN LEAD ON SOLDER TAILS, BOTH OVER
1.27µm MINIMUM NICKEL.
HOLDDOWNS: 2.54µm MINIMUM TIN-LEAD OVER 1.27µm MINIMUM
NICKEL.
- 4 RECOMMENDED PC BOARD THICKNESS OF 1.57.
- 5 KAPTON VACUUM PICK UP BUTTON.
- 6 PLATING: CONTACTS - 0.38µm MINIMUM GOLD ON MATING END,
2.54µm MINIMUM MATTE TIN ON SOLDER TAILS, BOTH OVER
1.27µm MINIMUM NICKEL.
HOLDDOWNS: 2.54µm MINIMUM MATTE TIN OVER 1.27µm MINIMUM
NICKEL.



6	33.00	40.41	40.00	12	3-1445087-4
6	30.00	37.41	37.00	11	3-1445087-1
6	27.00	34.41	34.00	10	3-1445087-0
6	24.00	31.41	31.00	9	2-1445087-9
6	21.00	28.41	28.00	8	2-1445087-8
6	18.00	25.41	25.00	7	2-1445087-7
6	15.00	22.41	22.00	6	2-1445087-6
6	12.00	19.41	19.00	5	2-1445087-5
6	9.00	16.41	16.00	4	2-1445087-4
6	6.00	13.41	13.00	3	2-1445087-3
2	3.00	10.41	10.00	2	2-1445087-2
2	33.00	40.41	40.00	12	1-1445087-2
2	30.00	37.41	37.00	11	1-1445087-1
2	27.00	34.41	34.00	10	1-1445087-0
2	24.00	31.41	31.00	9	1445087-9
2	21.00	28.41	28.00	8	1445087-8
2	18.00	25.41	25.00	7	1445087-7
2	15.00	22.41	22.00	6	1445087-6
2	12.00	19.41	19.00	5	1445087-5
2	9.00	16.41	16.00	4	1445087-4
2	6.00	13.41	13.00	3	1445087-3
2	3.00	10.41	10.00	2	1445087-2
FINISH	DIM Z	DIM V	DIM W	NO. OF POSN	PART NUMBER

PCB LAYOUT COMPONENT SIDE 4



THIS DRAWING IS A CONTROLLED DOCUMENT FOR AMP INCORPORATED. IT IS SUBJECT TO CHANGE AND THE CONTROLLING ENGINEERING ORGANIZATION SHOULD BE CONTACTED FOR THE LATEST REVISION.

DWN J. ROOT 09OCT2000
 CHR K. WHITAKER 20-FEB-2001
 APVD C. JONES 20-FEB-2001

AMP Tyco Electronics
 Harrisburg, PA 17105-3608

NAME VERTICAL SURFACE MOUNT HEADER ASSY,
 15 MIC GOLD CONTACTS, SURFACE MOUNT
 HOLDDOWNS, SGL ROW, MICRO MATE-N-LOK™

SIZE A2 CAGE CODE 00779 DRAWING NO. C=1445087

MATERIAL SEE TABLE WEIGHT -

CUSTOMER DRAWING SCALE 5:1 SHEET 1 OF 1 REV B