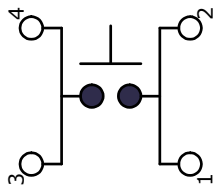
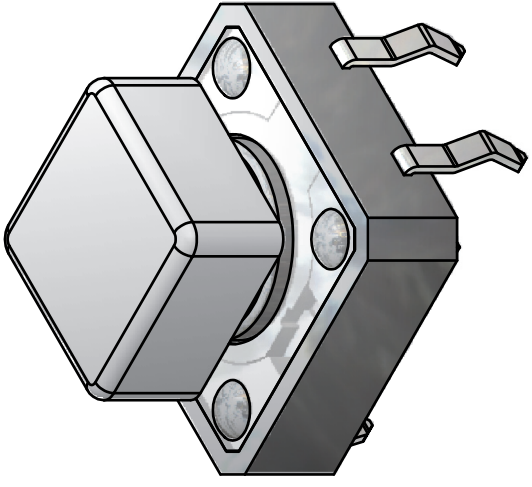
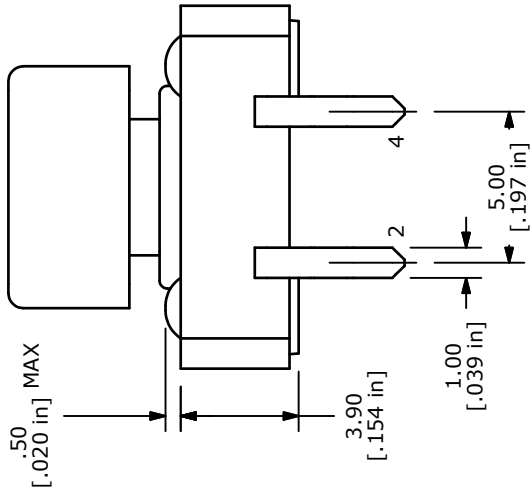
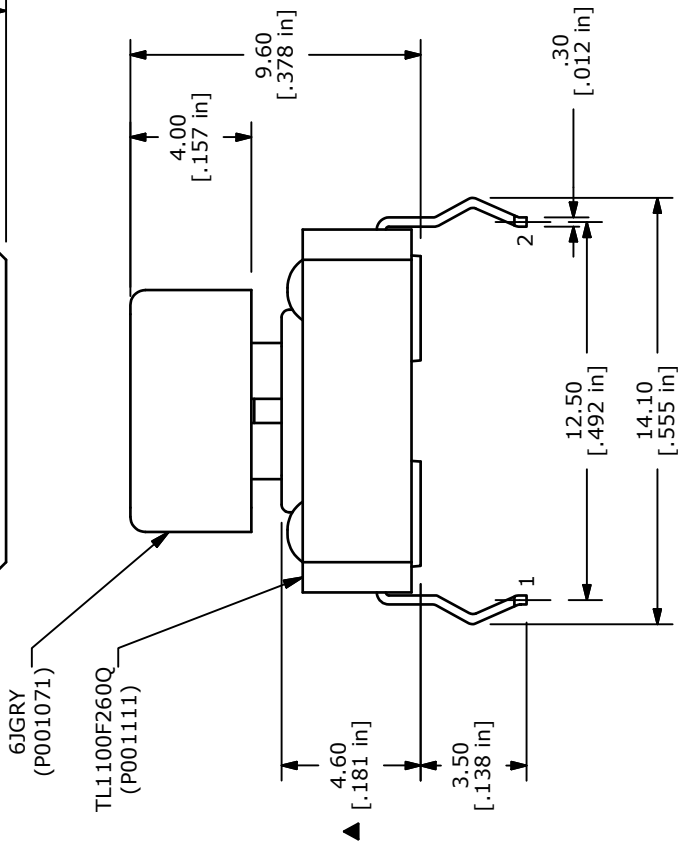
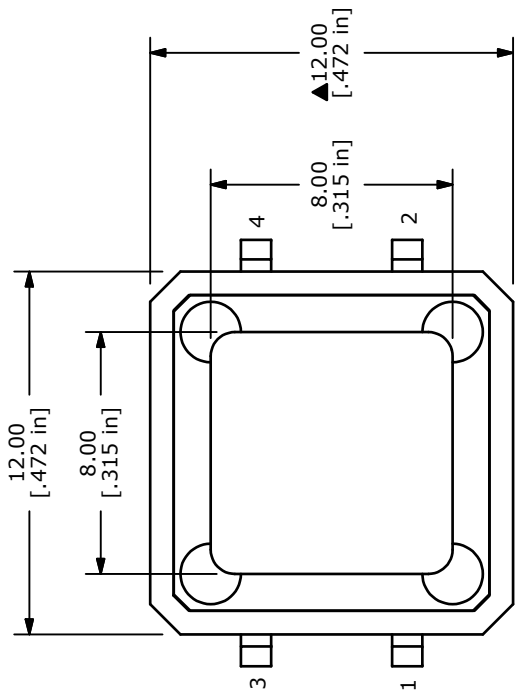


PCB MOUNTING



CIRCUIT: SPST

- NOTES:
1. ALL DIMENSIONS IN MM [INCH]
 2. GENERAL TOLERANCE: X.X=±0.4
X.XX=±0.25
 3. TERMINAL NUMBERS FOR REF. ONLY
 4. RATING: 50mA @ 12VDC
 5. TRAVEL: 0.30±0.15mm
 - ▲ 6. OPERATING FORCE: 260±50mN
 7. CONTACT RESISTANCE: 100mΩ MAX.
 8. ELECTRICAL LIFE: 100,000 CYCLES
 9. ▲ DENOTES CRITICAL PARAMETER
 10. 2002/95/EC (ROHS) COMPLIANT



E-SWITCH®

TITLE TL1100F2600Q6JGRY

B	19541	UPDATE DRAWING	12/27/10	BGL
A	16031	NEW PART RELEASE	5/23/06	CT
REV	PCR NO	DESCRIPTION	DATE	BY

THE INFORMATION CONTAINED IN THIS DOCUMENT IS PROPRIETARY TO E-SWITCH AND IS NOT TO BE COPIED OR TRANSFERRED

SCALE 4:1 DATE 5/23/2006

DR CT DWG XP0288P

REV B