

5

4

3

2

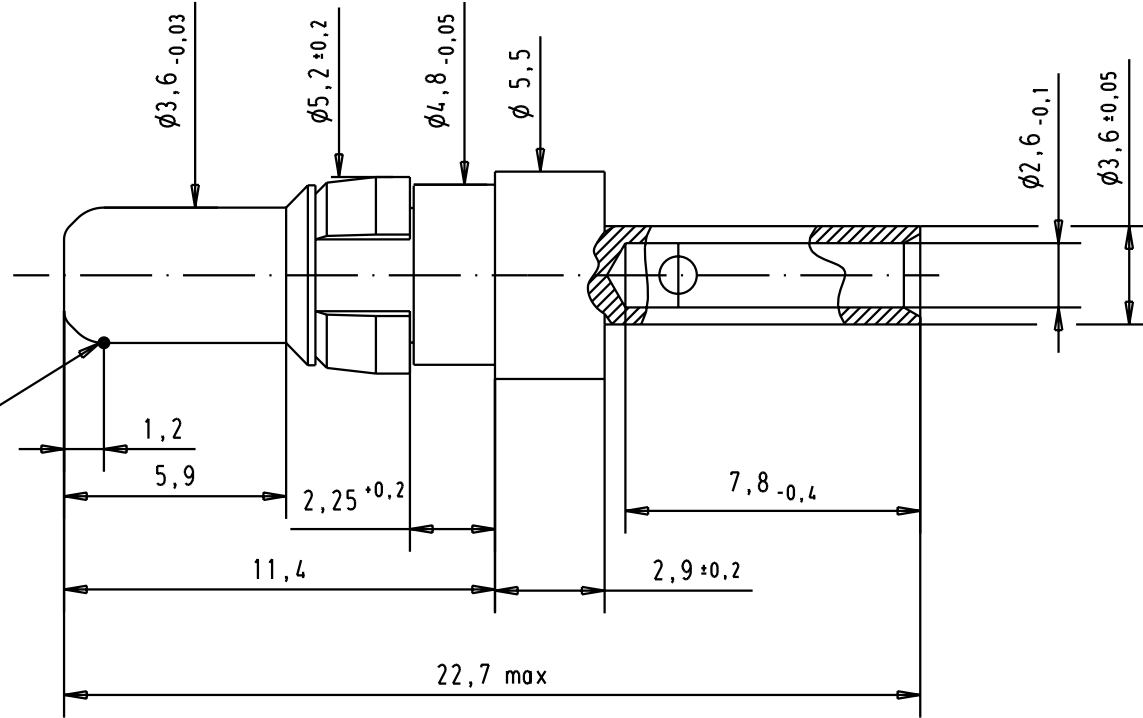
1

D

C



B

Point of plating thickness measurement



Crimping tool: 09 99 000 0509
Positioner: 09 99 000 0504

A

							Mat. Lab / Scale
							5:1
09692827421	Mating area	0,2 μ m Au				 All Dim. in mm Orig. Size DIN A 4	Male Hight power contact, 20A straight cable termination, crimp for AWG 12-14
	Termination area	0,2 μ m Au					
09692825421	Mating area	0,8 μ m Au					TB 09 69 282 x421 Blatt / Page 1 / 1
	Termination area	0,2 μ m Au	31057	21-JUN-02	CV		
Part number	Plating		Mod.	Dat.	Name	HARTING EURL F-95972 Paris	Sub.