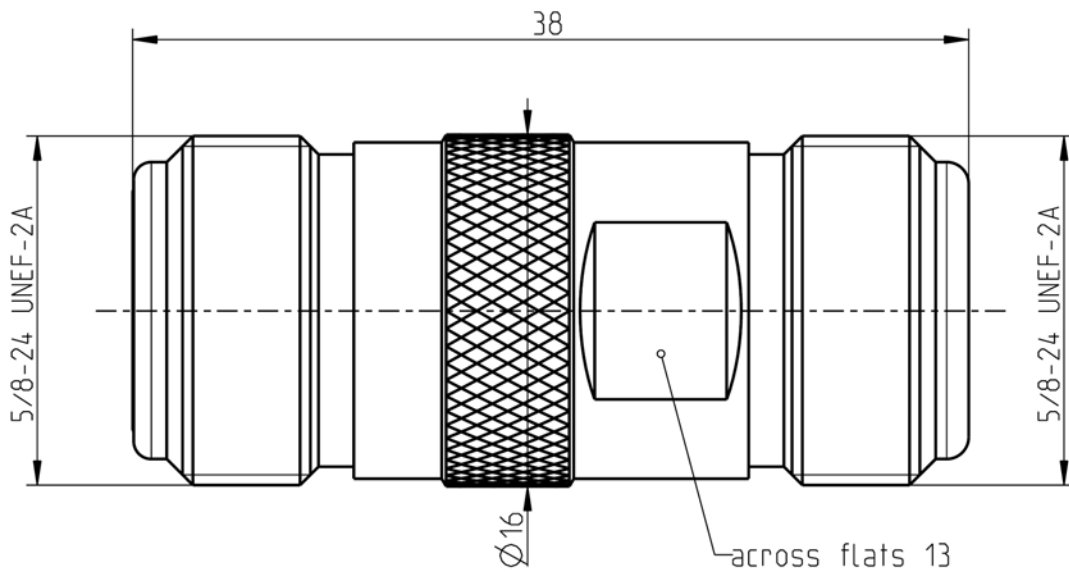


N 50 Ω

Adaptor
Jack – Jack

53K102-K00N5



All dimensions are in mm; tolerances according to ISO 2768 m-H

Interface

According to

IEC 61169-16, MIL-PRF-39012, CECC 22210

Material and plating

Connector parts

- Center contact
- Outer contact
- Dielectric

Material

- Spring bronze
- Brass
- PTFE

Plating

- AuroDur®, gold plated
- Flash white bronze over silver(e.g. Optargen®)

Dieses Dokument ist urheberrechtlich geschützt • This document is protected by copyright • Rosenberger Hochfrequenztechnik GmbH & Co. KG

RF_35/05.10/6.0

N 50 Ω

Adaptor
Jack – Jack

53K102-K00N5

Electrical data

Impedance	50 Ω
Frequency	DC to 11 GHz
Return loss	≥ 32 dB @ DC to 2 GHz ≥ 25 dB @ 2 GHz to 4 GHz ≥ 22 dB @ 4 GHz to 9 GHz
Insertion loss	≤ 0.1 x √f [GHz] dB
Insulation resistance	≥ 5 GΩ
Center contact resistance	≤ 1 mΩ
Outer contact resistance	≤ 0.25 mΩ
Working voltage (at sea level)	500 V rms
Power handling (at 20 °C, sea level, VSWR 1.0)	1000 W @ 1 GHz 700 W @ 2 GHz
RF-leakage	≥ 128 dB @ DC to 1 GHz
Intermodulation 3 rd order	≥ 158 dBc (2 x 43 dBm)

Mechanical data

Mating cycles	≥ 500
Center contact captivation: axial	≥ 28 N
Coupling test torque	≤ 1.7 Nm
Recommended torque	0.7 Nm to 1.1 Nm

Environmental data

Temperature range	-45 °C to +85 °C
Thermal shock	MIL-STD-202, Method 107, Condition B
Corrosion resistance	MIL-STD-202, Method 101, Condition B
Vibration	MIL-STD-202, Method 204, Condition B
Shock	MIL-STD-202, Method 213, Condition I
Moisture resistance	MIL-STD-202, Method 106
Degree of protection (mated pair)	IEC 60529, IP67
RoHS	compliant

Weight

Weight	42.7 g/pce
--------	------------

While the information has been carefully compiled to the best of our knowledge, nothing is intended as representation or warranty on our part and no statement herein shall be construed as recommendation to infringe existing patents. In the effort to improve our products, we reserve the right to make changes judged to be necessary.

Draft	Date	Approved	Date	Rev.	Engineering change number	Name	Date
M. Wimmer	22/01/13	J_Gramsamer	15.04.15	c00	15-0397	J_Krautenb.	15.04.15

Rosenberger Hochfrequenztechnik GmbH & Co. KG P.O.Box 1260 D-84526 Tittmoning Germany www.rosenberger.de				Tel. : +49 8684 18-0 Email : info@rosenberger.de		Page 2 / 2	
--	--	--	--	--	--	---------------	--