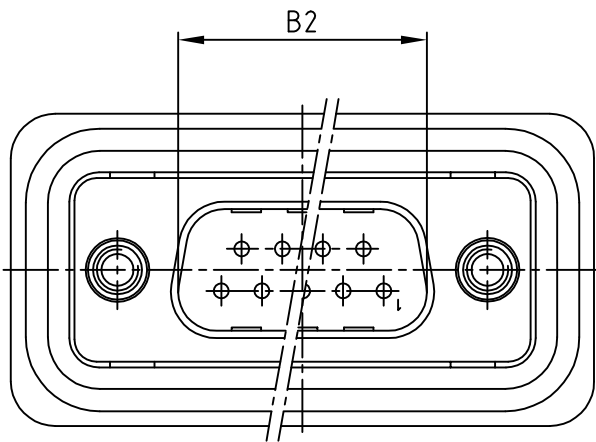
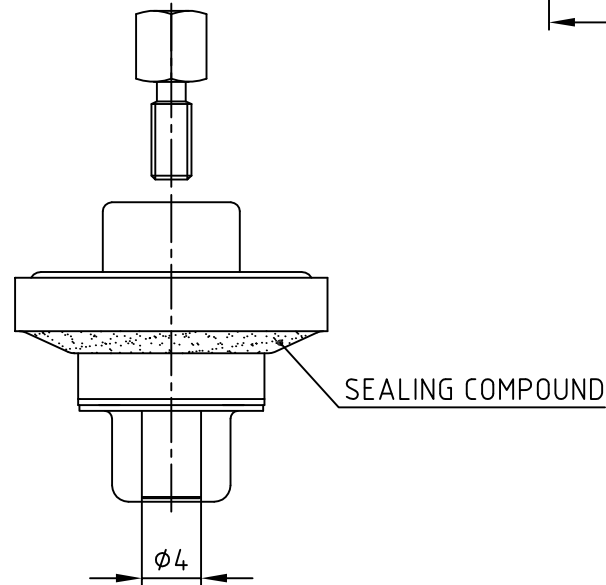
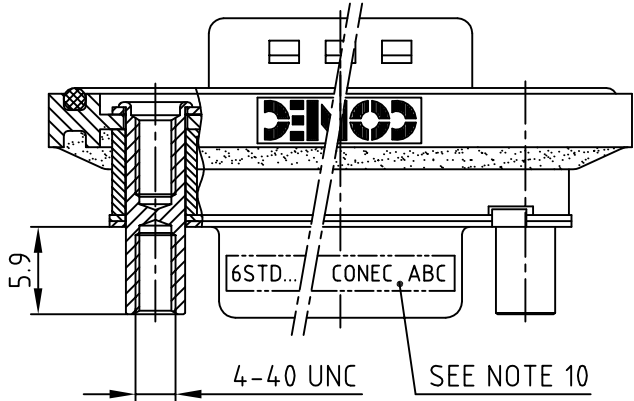
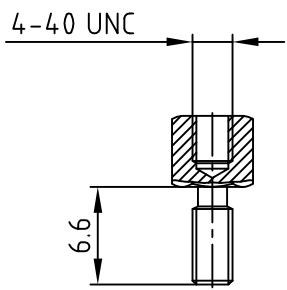
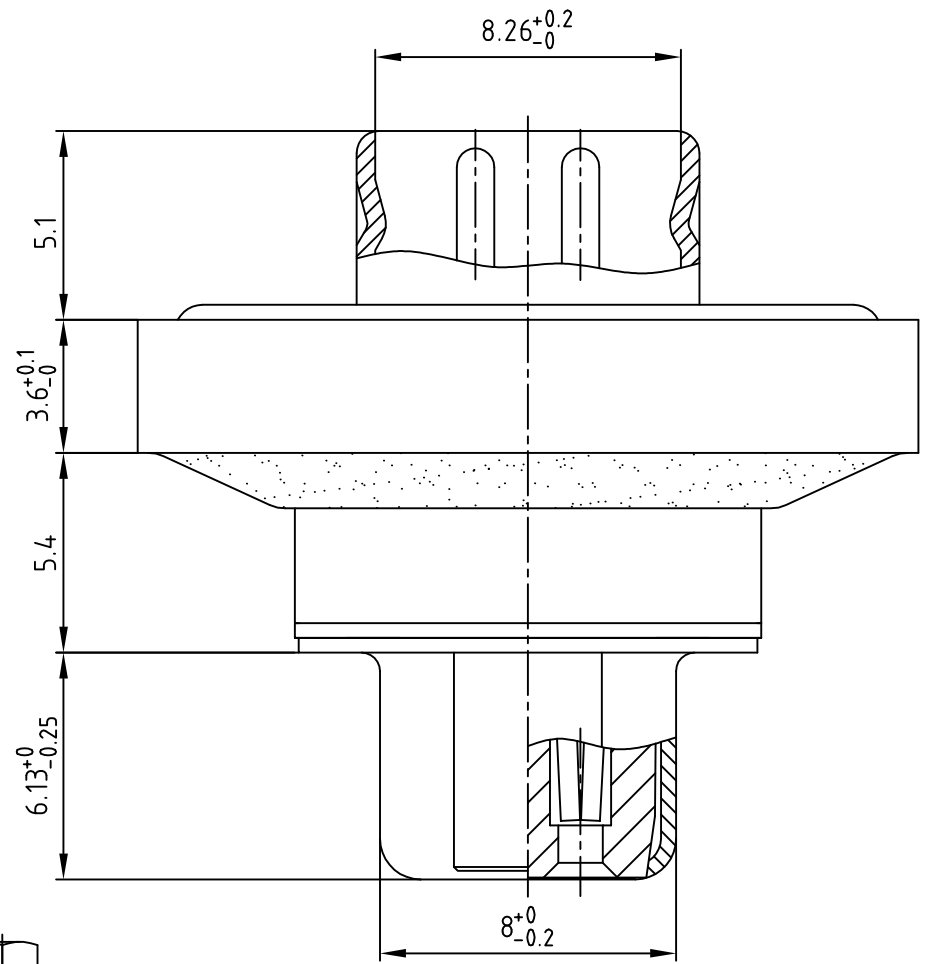
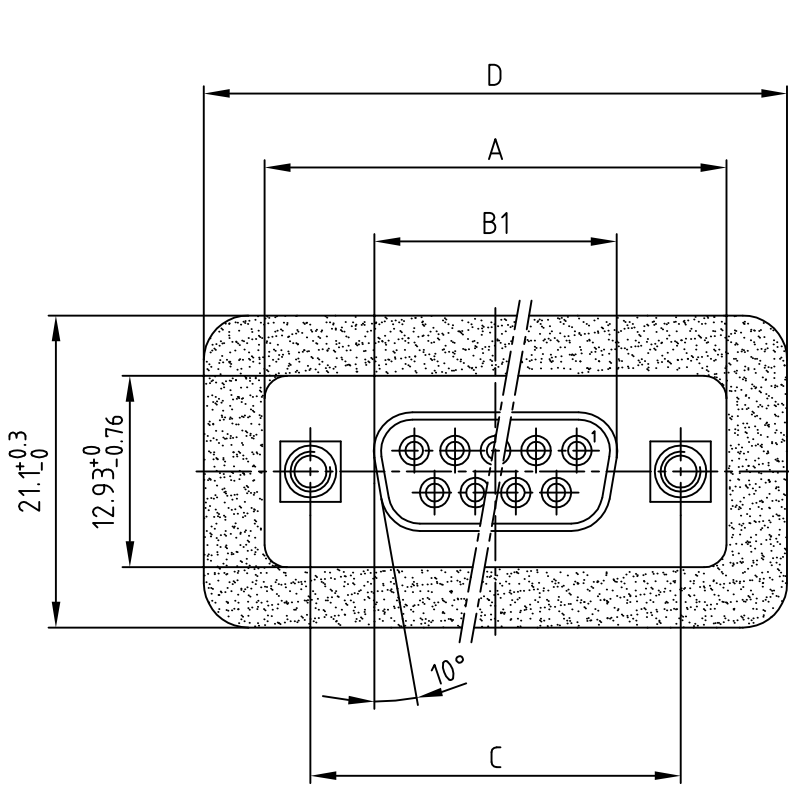


used for: D-SUB ADAPTER



AT ALL TIMES WATER RESISTANT CONNECTORS NOT IN USE SHOULD BE COVERED WITH A CONEC WATER RESISTANT CAP OR WATER TIGHT HOOD.

NOTES:

1. METALSHELLS: COPPER ALLOY; TIN PLATED
2. INSULATORS: PBT GF UL 94 V-0
3. CONTACTS: COPPER ALLOY  
PLATING: 8µm HARD GOLD over min. 50µm NICKEL
5. THREADED LOCK: COPPER ALLOY; min. 200µm TIN over 80µm NICKEL
6. FRAME: ZINC DIE CAST; NICKEL PLATED
7. HEX BOLTS: STAINLESS STEEL
8. RECOMMENDED MOUNTING TORQUE min. 3 in.LB, max. 5 in.LB
9. MAXIMUM TORQUE VALUE FOR THREAD: 6 in.LB
10. CONNECTOR IS PART MARKED: PART NO. CONEC ABC

POS.	A -0.76	B1 -0.25	B2 +0.25	C	D +0.3	PART NO.
9	31.19	16.46	16.79	25.00 <sup>+0.12</sup> / <sub>-0.13</sub>	39.4	6STD09AAA99B90X
15	39.52	24.79	25.12	33.30 <sup>+0.15</sup> / <sub>-0.1</sub>	47.7	6STD15AAA99B90X
25	53.42	38.50	38.84	47.04 ±0.13	61.4	6STD25AAA99B90X
37	69.70	54.96	55.30	63.50 ±0.13	77.9	6STD37AAA99B90X

Directive 2002/95/EC RoHS compliant

APPROVAL # FREIGABE # DEBLOCAGE # AUTOR/ZACION # APPROVAL CUSTOMER APPROVAL DATE:	APPROVAL # FREIGABE # DEBLOCAGE # AUTOR/ZACION # APPROVAL
NAME:	TITLE:
COMPANY NAME:	
APPROVAL # FREIGABE # DEBLOCAGE # AUTOR/ZACION # APPROVAL	

THIS DRAWING MAY NOT BE COPIED OR REPRODUCED IN ANY WAY, AND MAY NOT BE PASSED ON TO A THIRD PARTY WITHOUT WRITTEN PERMISSION.  
 OWNERSHIP AND COPYRIGHT OF CONEC GmbH  
 DO NOT ALTER CAD DRAWING BY HAND

tolerance			scale: 2:1 (5:1)	
			material: SEE NOTES	
2009	date	title:		
drawn	22.10.	<b>D-SUB ADAPTER</b> 9-37pos. WATERTIGHT		
appd.	22.10.			
norm		DIN 41652		
d-old		dwg no: AutoCAD 2006		
a	Origin			
rev.	description			
date	name	part no: SEE TABLE		

2009		date		name	
drawn		22.10.		Petker	
appd.		22.10.		Fischer	
norm		DIN 41652			
d-old		dwg no: AutoCAD 2006			
a		Origin			
rev.	description	date	name		
date	name	part no: SEE TABLE			