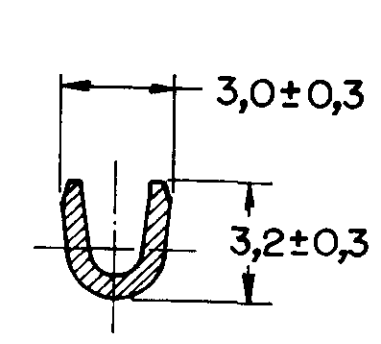
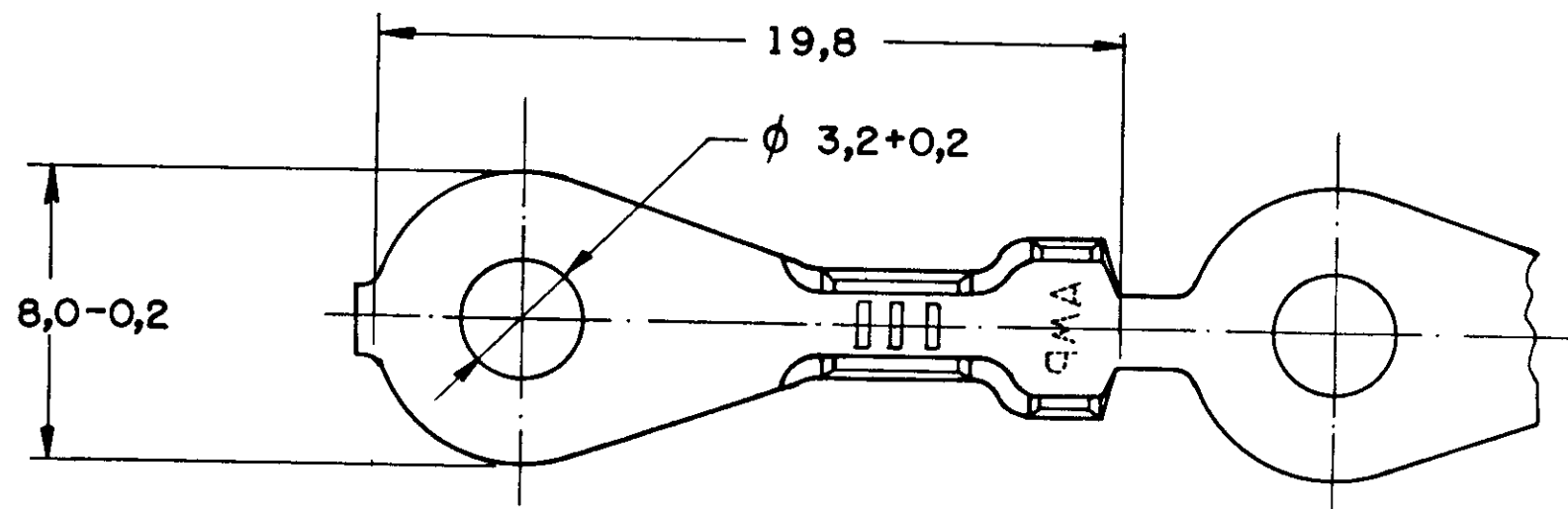
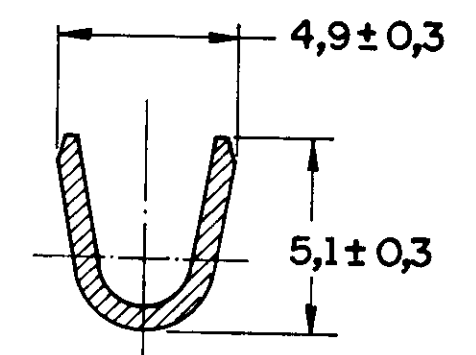


C880644 1 of 1

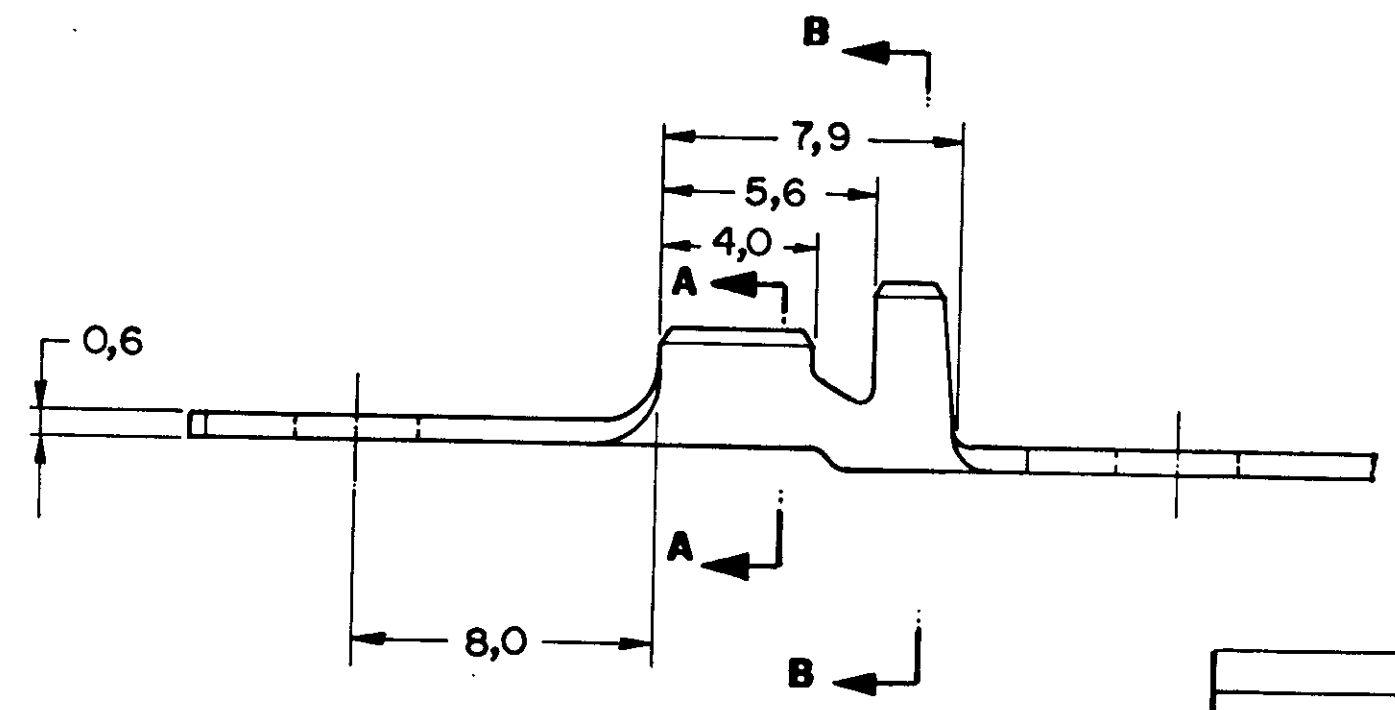
DWG NO.		DO NOT SCALE		METRIC		3rd ANGLE PROJECTION	
		DIMENSIONS IN mm.					
REQ. PER ASSY	ITEM	DESCRIPTION	MATERIAL	FINISH			



CORTE A-A
SECTION



CORTE B-B
SECTION



ESTANHADO TIN PLATED		LATÃO BRASS	-2
FINISH		LATÃO BRASS	880644 -1
CUSTOMER DWG for REFERENCE ONLY		MATERIAL	PART NUMBER
THIS DRAWING IS UNPUBLISHED RELEASED FOR PUBLICATION			
© COPYRIGHT 19 BY AMP DO BRASIL LTDA S.P. ALL INTERNATIONAL RIGHTS RESERVED AMP PRODUCTS MAY BE COVERED BY U.S. AND FOREIGN PATENTS AND/OR PATENTS PENDING.			
TOLERANCES UNLESS OTHERWISE STATED DEC. ± 0,4 ANGLES ± 1°		INS DIA RANGE 2,0-3,3mm	WIRE RANGE 0,5-1,0mm
		SCALE 5:1	
DR. D.A. Rocha 12-MAY-95		AMP AMP do BRASIL LTDA. São Paulo, Brasil	
CHK 29-MAY-95 J.R. FOLDSCHMIDT		DESCRIPTION RING TONGUE	
A2 PEDRAWN WITHOUT CHANGE 216-95		DE.	
ISS	REVISION RECORD	ECN	DR CHK
			DATE
			APP
A3		DWG NO. C880644	SHEET 1 OF 1