

4

3

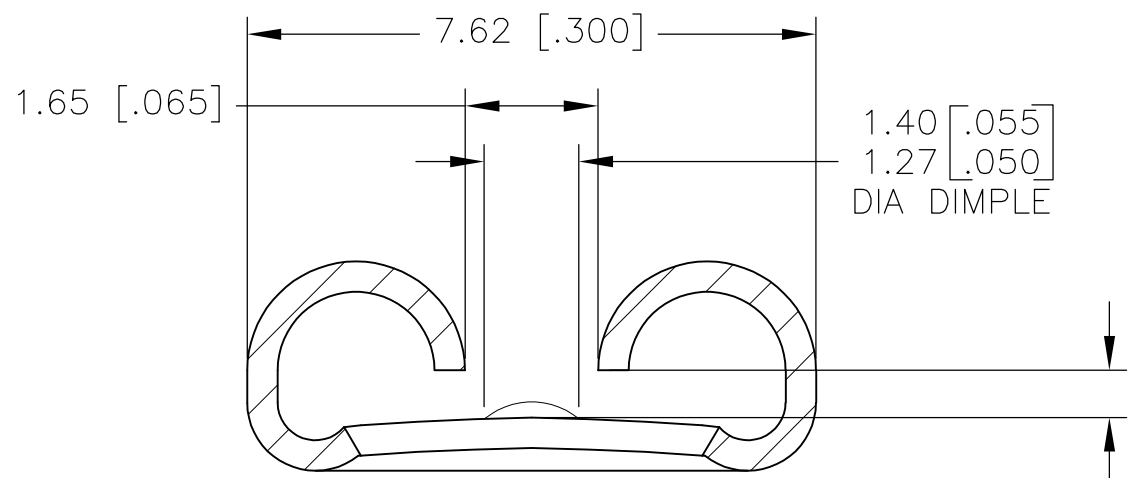
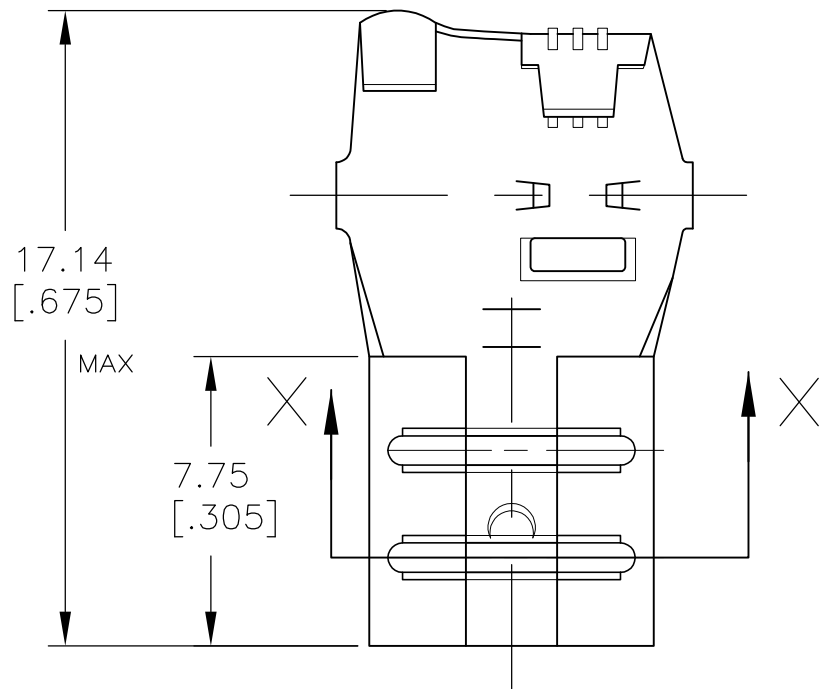
2

1

THIS DRAWING IS UNPUBLISHED. RELEASED FOR PUBLICATION
 © COPYRIGHT - By - ALL RIGHTS RESERVED.

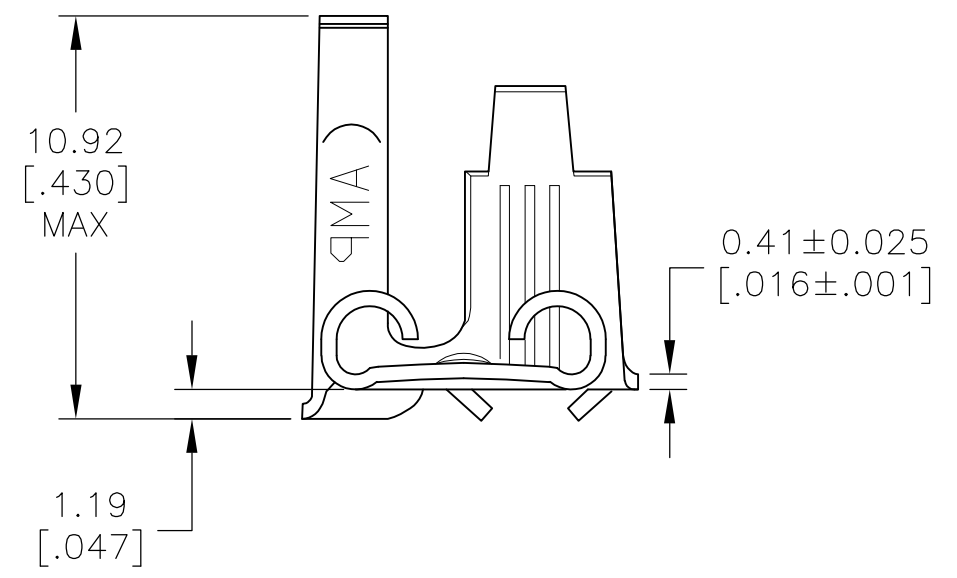
LOC	DIST	REVISIONS					
AF	50	P	LTR	DESCRIPTION	DATE	DWN	APVD
		C2		REVISED PER ECO-13-002238	07FEB13	JR	PD

- 1 CONTINUOUS STRIP ON REELS
- 2 WIRE SIZE IS [#18-#12] AWG
- 3 INSULATION RANGE IS 2.79-5.33
[.110-.210] DIA
- 4 MATING TAB THK IS 0.81±0.025
[.032±.001]



FITS 6.35 [.250] SERIES
FASTON TABS

SECTION X-X
SCALE 10:1



42404-1
PART NO

THIS DRAWING IS A CONTROLLED DOCUMENT.		DWN JR RUTH 4/5/91	TE Connectivity					
DIMENSIONS: MM [INCHES]		CHK MS FEHER 4/5/91					NAME	
TOLERANCES UNLESS OTHERWISE SPECIFIED:		APVD C MEYERS 4/5/91	PRODUCT SPEC		APPLICATION SPEC			
0 PLC ± - 1 PLC ± - 2 PLC ± 0.25 [.010] 3 PLC ± - 4 PLC ± - ANGLES ± -		WEIGHT -		SIZE A3	CAGE CODE 00779	DRAWING NO C-42404	RESTRICTED TO -	
MATERIAL T2 STEEL		FINISH NICKEL		CUSTOMER DRAWING		SCALE 5:1	SHEET 1 OF 1	REV C2