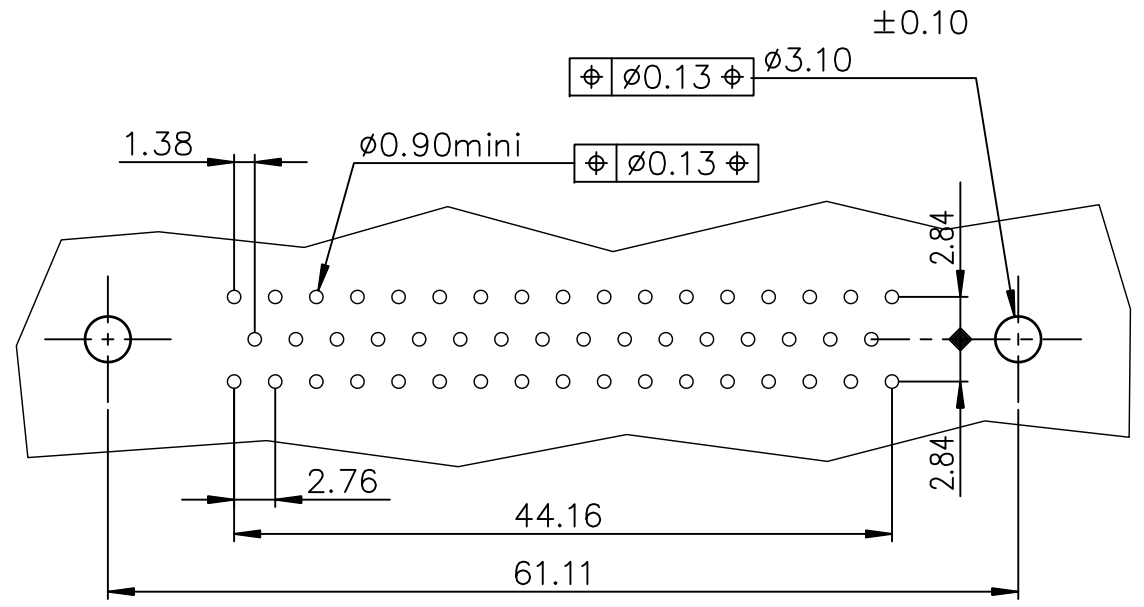


PC card drilling dimensions
(after plating - thickness: 1.60 mm)



LEAD FREE PART NUMBER

Part number: **D50P24A*GL00LF**

Plating: 4 --> Flash Au
Plating: 6 --> 0.76μ Au

GENERAL CHARACTERISTICS AND ROHS INFORMATIONS:
SEE DRAWING C01-8646-0000

mat'l. code		surface		tolerance		projection		product family	
-		ISO 1302 ✓		ISO 406 ISO 1101		MM		D-SUB	
ltr		ecn no	dr	date		tolerances unless otherwise specified		title	
F		ELX-I-21654	AB	2015-10-26		.0±0.1 .00±0.1 .000±0.1		MALE DELTA-D 50-EUROPE STRAIGHT SOLDER, HARPOON, NUT	
sheet index		revision sheet		F 1		scale 2:1		dwg no sheet 1 of 1 size	
						FCI		C01-8646-0586 A3	
								type Product Customer Drawing	