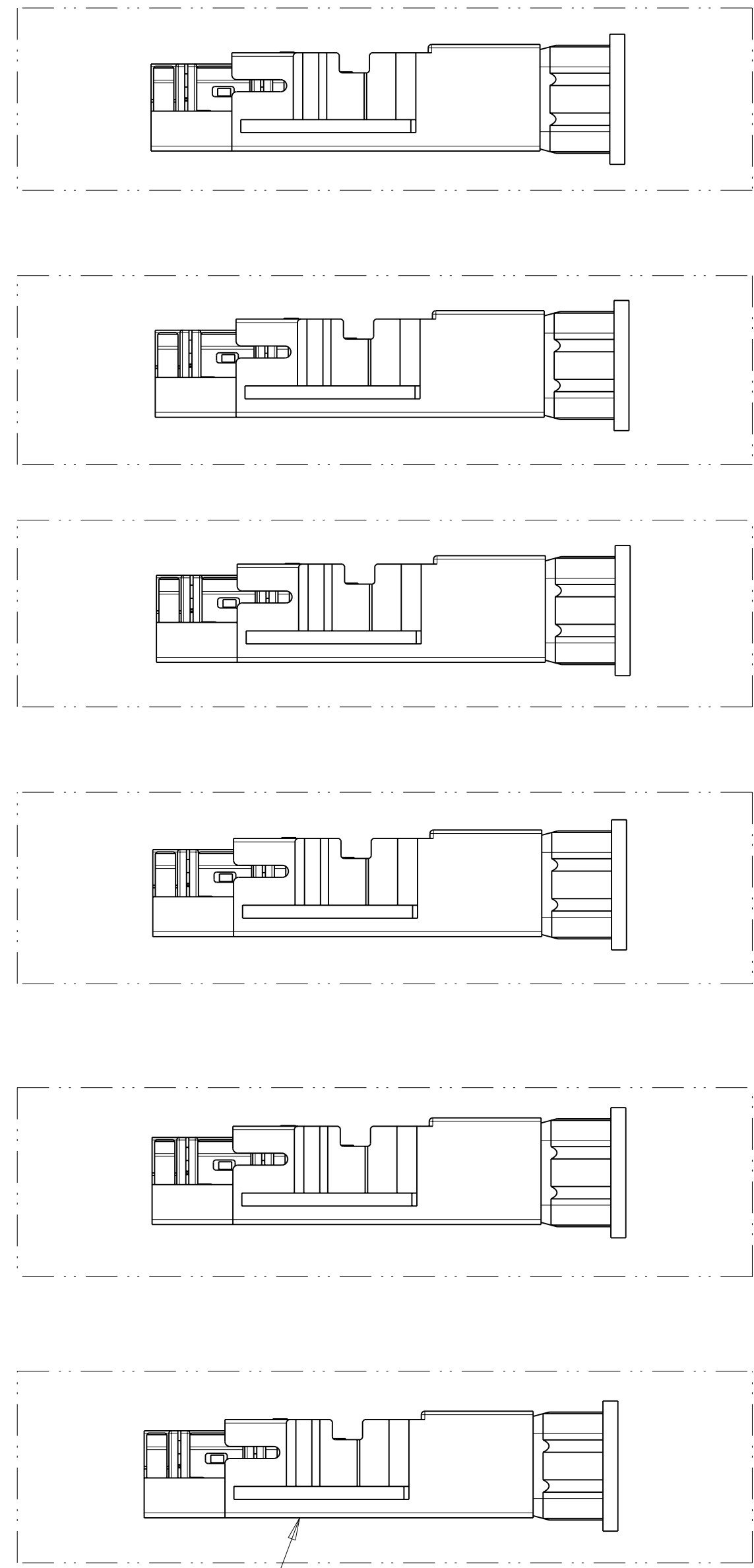
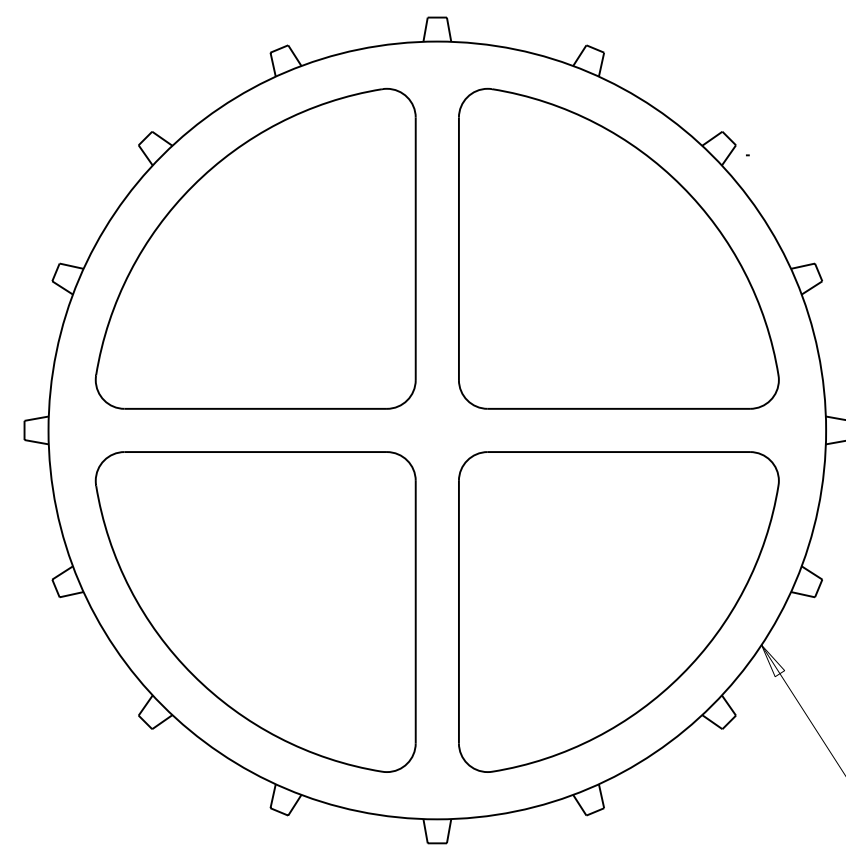


THIS DRAWING IS UNPUBLISHED. RELEASED FOR PUBLICATION .19
 © COPYRIGHT 19 BY AMP INCORPORATED. ALL RIGHTS RESERVED.

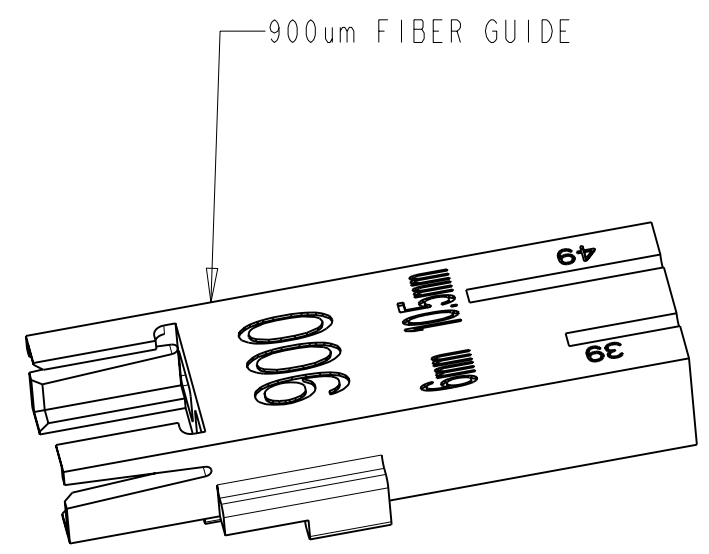
LOC	DIST	REVISIONS					
CE	00	P	LTR	DESCRIPTION	DATE	DWN	APVD
		A		REV PER ECR-06-003731	16FEB2006	BB	DK



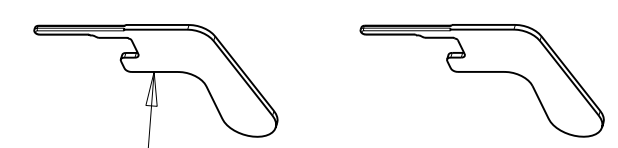
MT-RJ SECURE JACK MODULE ASSEMBLY



ICON WHEEL



900um FIBER GUIDE



MT-RJ ACTUATION KEY

SLATE (K10)	1-6588878-0
ORANGE (K9)	6588878-9
VIOLET (K8)	6588878-8
BROWN (K7)	6588878-7
AQUA (K6)	6588878-6
ROSE (K5)	6588878-5
BLUE (K4)	6588878-4
GREEN (K3)	6588878-3
YELLOW (K2)	6588878-2
RED (K1)	6588878-1
DESCRIPTION	PART NUMBER

<small>THIS DRAWING IS A CONTROLLED DOCUMENT FOR AMP INCORPORATED. IT IS SUBJECT TO CHANGE AND THE CONTROLLING ENGINEERING ORGANIZATION SHOULD BE CONTACTED FOR THE LATEST REVISION.</small>		DWN B. BRIGGS 01NOV2005 CHR D. KIRSCH 01NOV2005 APVD S. BUCHTER 07NOV2005	AMP AMP Incorporated Harrisburg, PA 17105-3608
DIMENSIONS: mm	TOLERANCES UNLESS OTHERWISE SPECIFIED: 0 PLC ± 1 PLC ± 2 PLC ± 3 PLC ± 4 PLC ± ANGLES ± FINISH -	PRODUCT SPEC - APPLICATION SPEC - WEIGHT -	NAME MT-RJ SECURE JACK KIT, 6-PACK, 62.5/125, 900um SIZE A2 CAGE CODE 00779 DRAWING NO C-6588878 SCALE NTS SHEET 1 OF 1 REV A
CUSTOMER DRAWING			