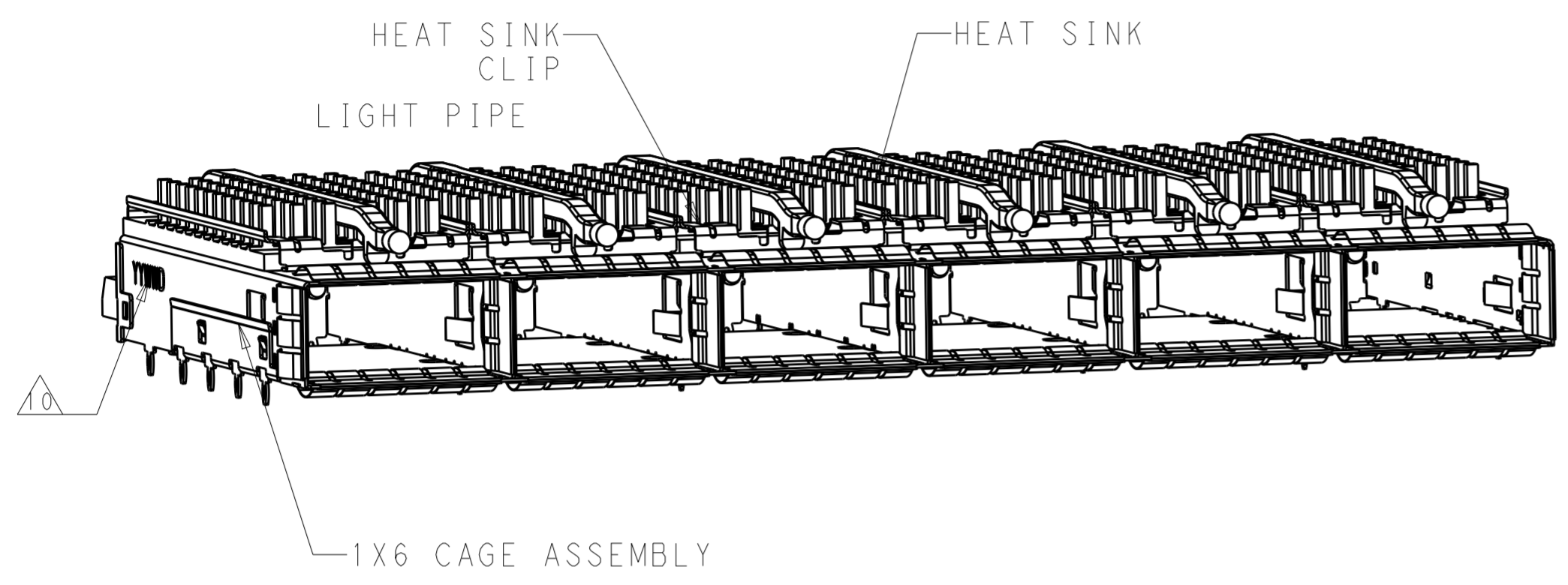
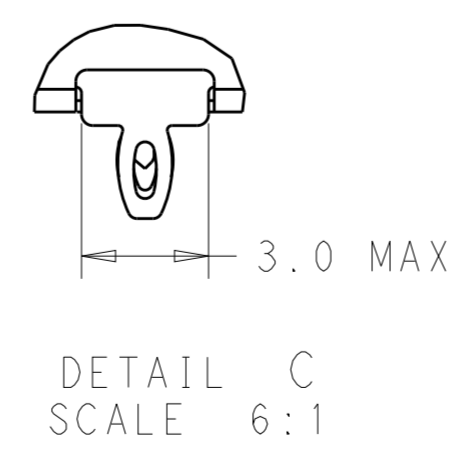
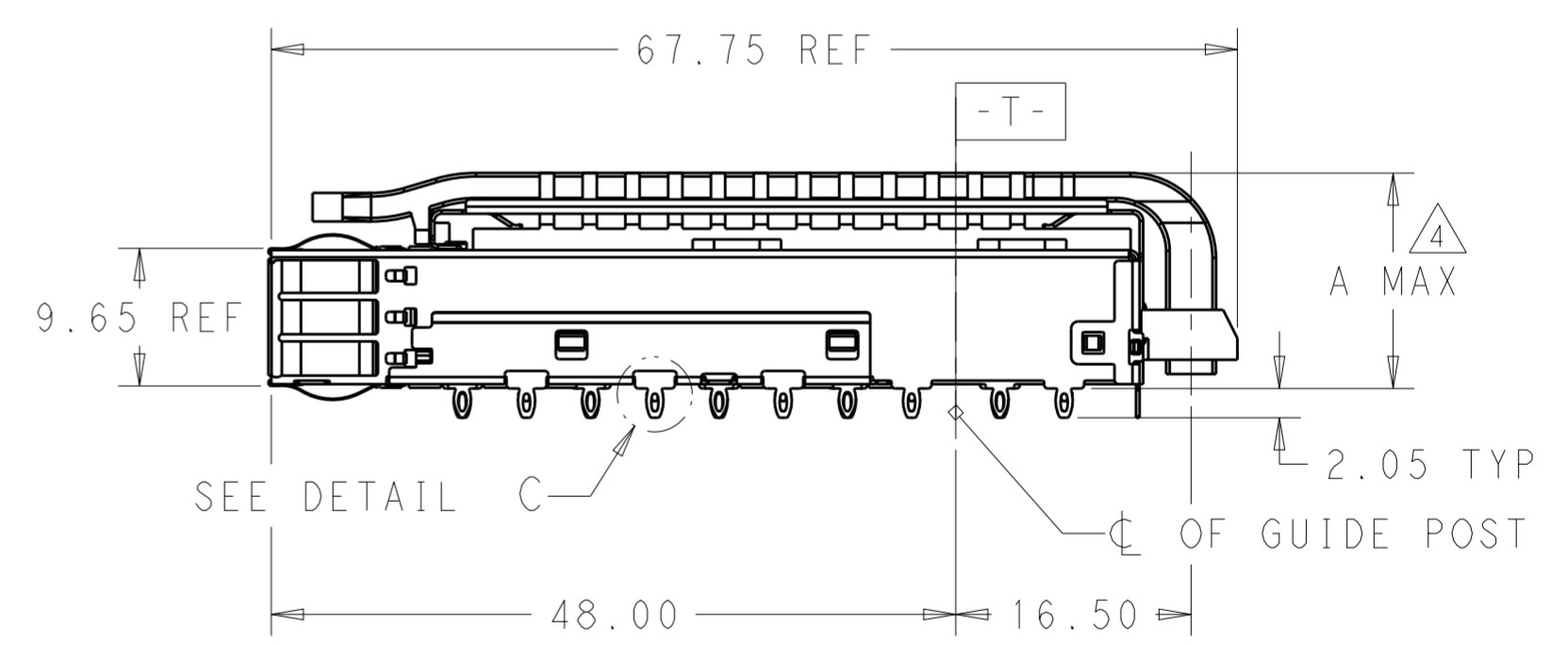
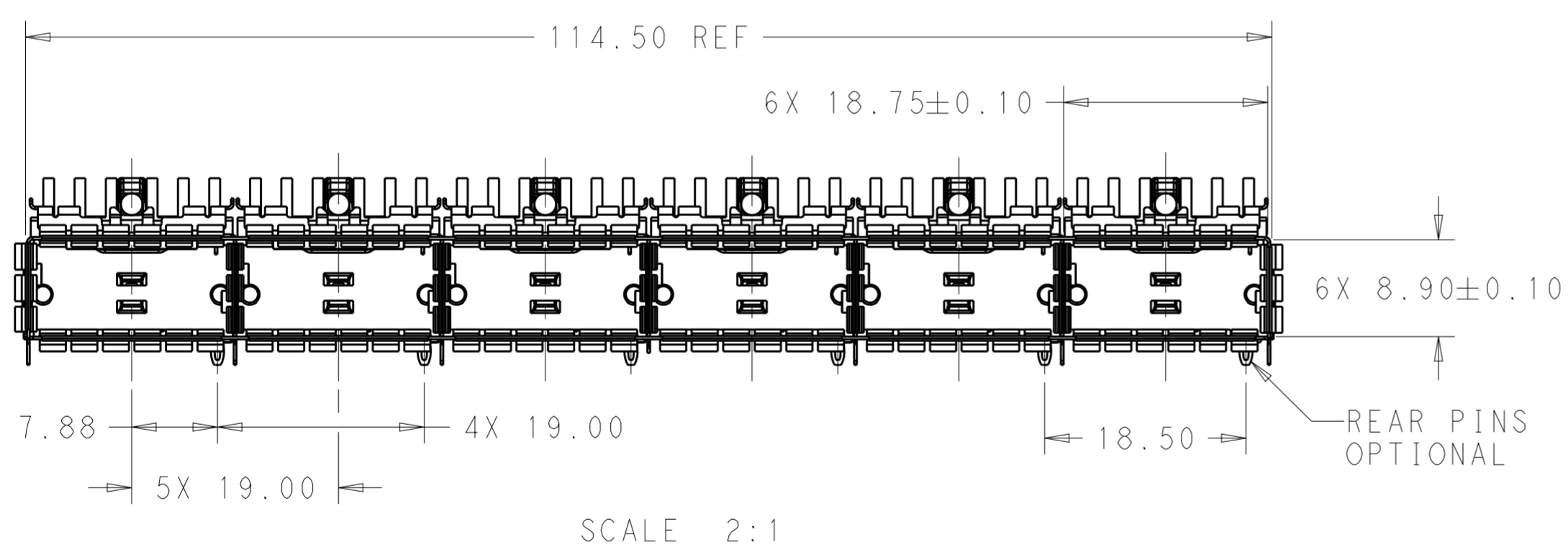


THIS DRAWING IS UNPUBLISHED. RELEASED FOR PUBLICATION 20
 © COPYRIGHT 20 BY - ALL RIGHTS RESERVED.

| LOC | DIST | REVISIONS | | | | | |
|-----|------|-----------|-----|-------------|-----------|-----|------|
| GP | 00 | P | LTR | DESCRIPTION | DATE | DWN | APVD |
| | | A | | RELEASE | 02NOV2016 | JY | SH |



- COMPONENTS
 CAGE ASSEMBLY: NICKEL-SILVER ALLOY
 HEAT SINK: ALUMINUM/BLACK ANODIZE
 HEAT SINK CLIP: STAINLESS STEEL
 EMI SPRING: COPPER ALLOY/NICKEL PLATE
 LIGHT PIPE: CLEAR POLYCARBONATE WITH UL 94 V-0
 ORGANIZER: POLYESTER WITH UL 94 V-0
- REFERENCE APPLICATION SPECIFICATION 114-32023 FOR RECOMMENDED DRILL HOLE DIAMETER AND PLATING THICKNESS
- DATUM AND BASIC DIMENSION ESTABLISHED BY CUSTOMER
- DIMENSION APPLIES WITH MODULE INSERTED IN CAGE
- HEAT SINKS, HEAT SINK CLIPS AND LIGHT PIPES ARE SHIPPED ASSEMBLED ON CAGE
- MINIMUM PC BOARD THICKNESS: SINGLE SIDED: 1.57 MIN
 DOUBLE SIDED: 2.20 MIN
- DATUM **-A-** IS TOP SURFACE OF THE HOST BOARD.
- THESE HOLES ARE OPTIONAL WHEN THE REAR PINS ARE REMOVED.
- MATES WITH QSFP28 MSA COMPATIBLE TRANSCEIVER.
- DATE CODE (YYWWD) MARKED APPROXIMATELY AS SHOWN.

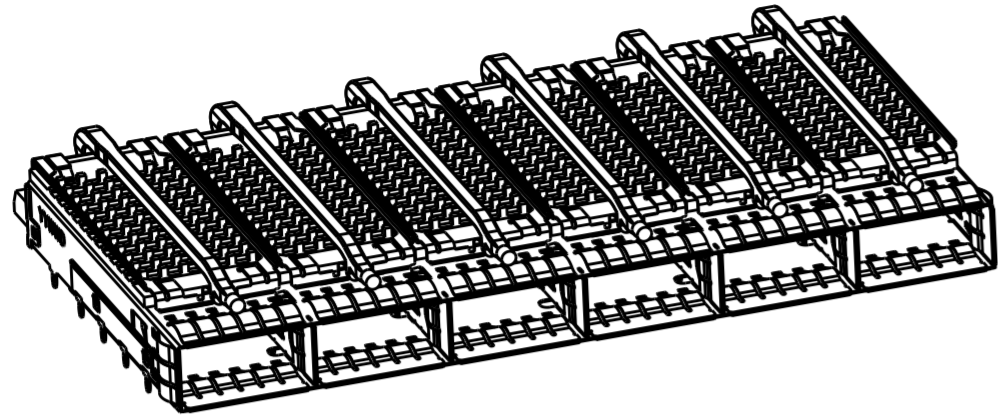


| | | | | |
|--|--|-------------------------------|----------------------------|--|
| THIS DRAWING IS A CONTROLLED DOCUMENT. | | DWN 24OCT2013 JASON YANG | STE TE Connectivity | |
| | | CHK 02NOV2016 SEAN HAN | | |
| DIMENSIONS: mm | | APVD - | | NAME CAGE ASSEMBLY, 1X6, QSFP28 WITH HEAT SINKS AND LIGHT PIPES, THRU BEZEL, EMI SPRING |
| TOLERANCES UNLESS OTHERWISE SPECIFIED: | | PRODUCT SPEC 108-19428 | | SIZE A200779 |
| 0 PLC ± 1 PLC ±0.25 2 PLC ±0.2 3 PLC ± 4 PLC ± | | APPLICATION SPEC 114-32023 | | DRAWING NO C-2170708 |
| MATERIAL SEE NOTES | | WEIGHT - | | RESTRICTED TO - |
| SEE NOTES | | CUSTOMER DRAWING | | SCALE 3:1 SHEET 1 OF 9 REV A |

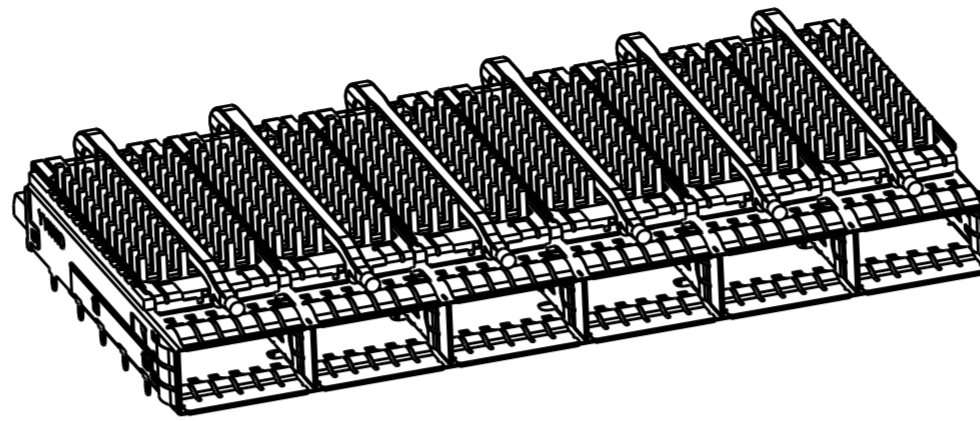
THIS DRAWING IS UNPUBLISHED. RELEASED FOR PUBLICATION 20
 © COPYRIGHT 20 BY - ALL RIGHTS RESERVED.

| LOC | DIST | REVISIONS | | | |
|-----|------|-------------|------|-----|------|
| P | LTR | DESCRIPTION | DATE | DWN | APVD |
| - | | SEE SHEET 1 | - | - | - |
| | | | | | |
| | | | | | |

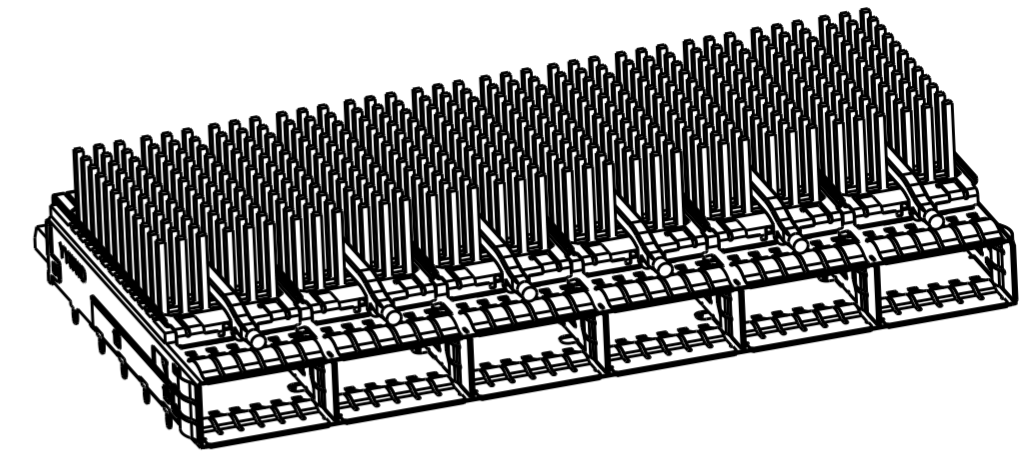
HEAT SINK OPTION



PCI HEAT SINK
SCALE 1:1

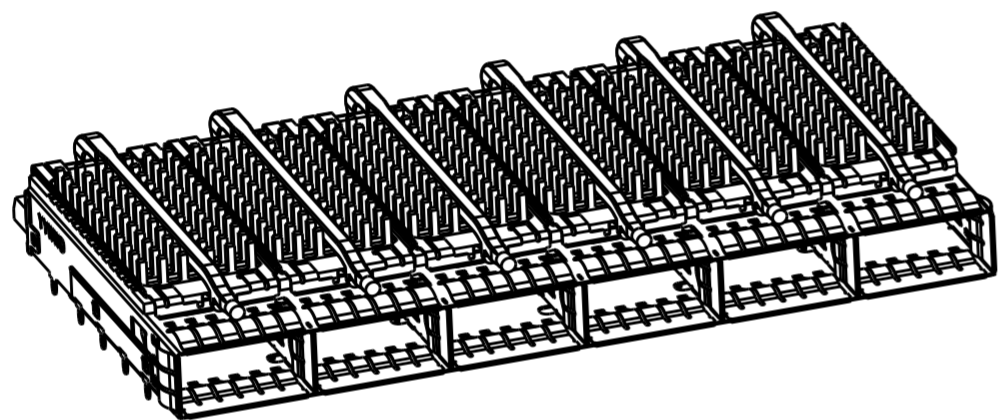


SAN HEAT SINK
SCALE 1:1

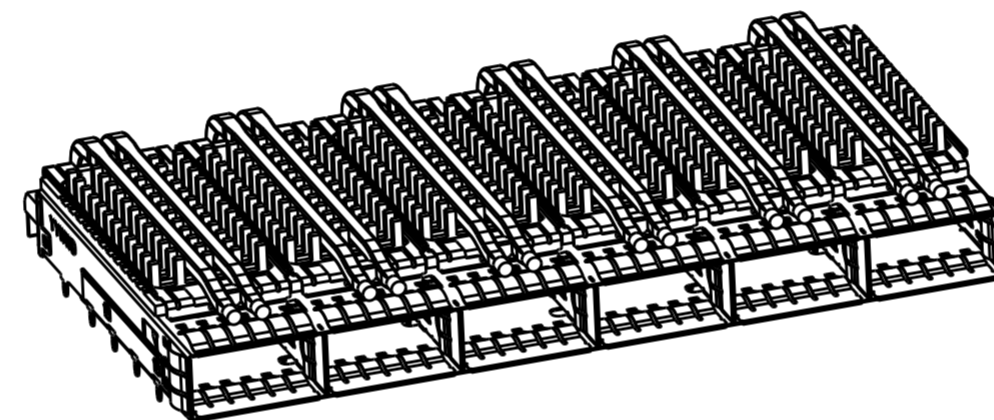


NETWORKING
SCALE 1:1

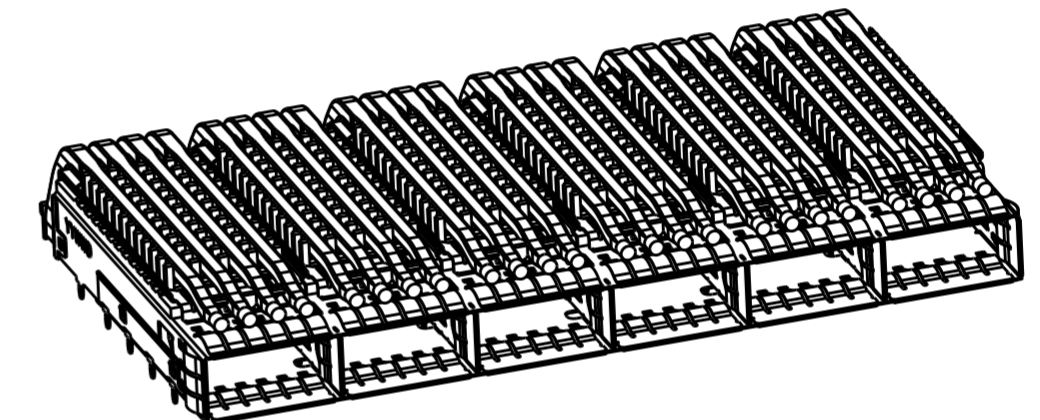
LIGHT PIPE OPTION



SINGLE LIGHT PIPE
SCALE 1:1

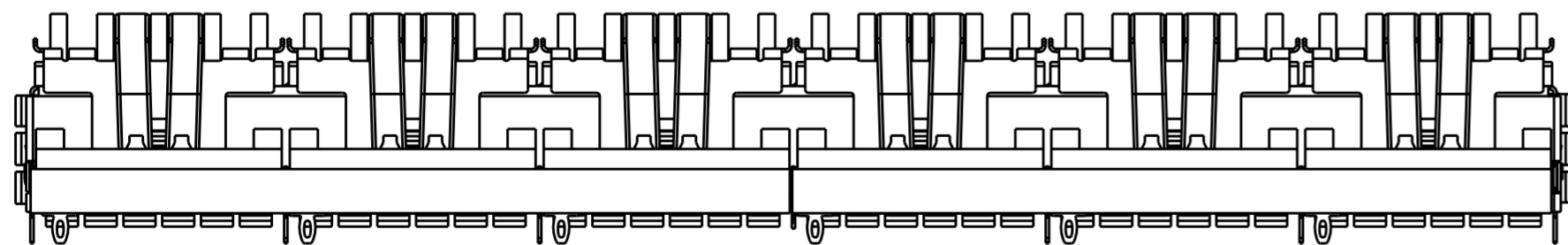


DUAL LIGHT PIPE
SCALE 1:1

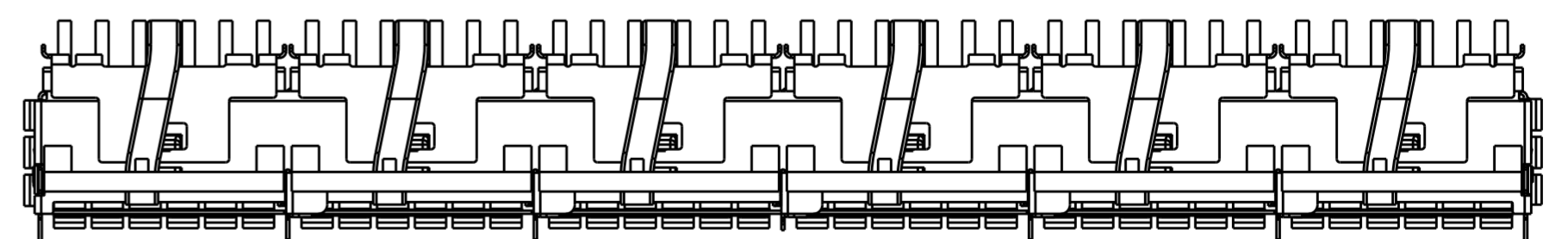


QUAD LIGHT PIPE
SCALE 1:1


OF REAR LEGS OPTIONS



1 REAR LEGS
SCALE 2:1




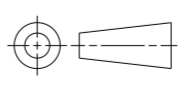
0 REAR LEGS
SCALE 2:1

| | | | | |
|--|--|--------------------------------|---|------------------------------|
| THIS DRAWING IS A CONTROLLED DOCUMENT. | | DWN JASON YANG 24OCT2013 |  TE Connectivity | |
| | | CHK SEAN HAN 02NOV2016 | | |
| DIMENSIONS: mm | TOLERANCES UNLESS OTHERWISE SPECIFIED: | APVD - | NAME CAGE ASSEMBLY, 1X6, QSFP28 WITH HEAT SINKS AND LIGHT PIPES, THRU BEZEL, EMI SPRING | RESTRICTED TO |
| | 0 PLC ± 1 PLC ±0.25 2 PLC ±0.2 3 PLC ± 4 PLC ± ANGLES ± | PRODUCT SPEC 108-19428 | SIZE A200779 | |
| MATERIAL SEE NOTES material_2 | FINISH SEE NOTES finish_spec_2 | APPLICATION SPEC 114-32023 | DRAWING NO C-2170708 | |
| | | WEIGHT - | CUSTOMER DRAWING | SCALE 3:1 SHEET 2 OF 9 REV A |

THIS DRAWING IS UNPUBLISHED. RELEASED FOR PUBLICATION 20
 © COPYRIGHT 20 BY - ALL RIGHTS RESERVED.

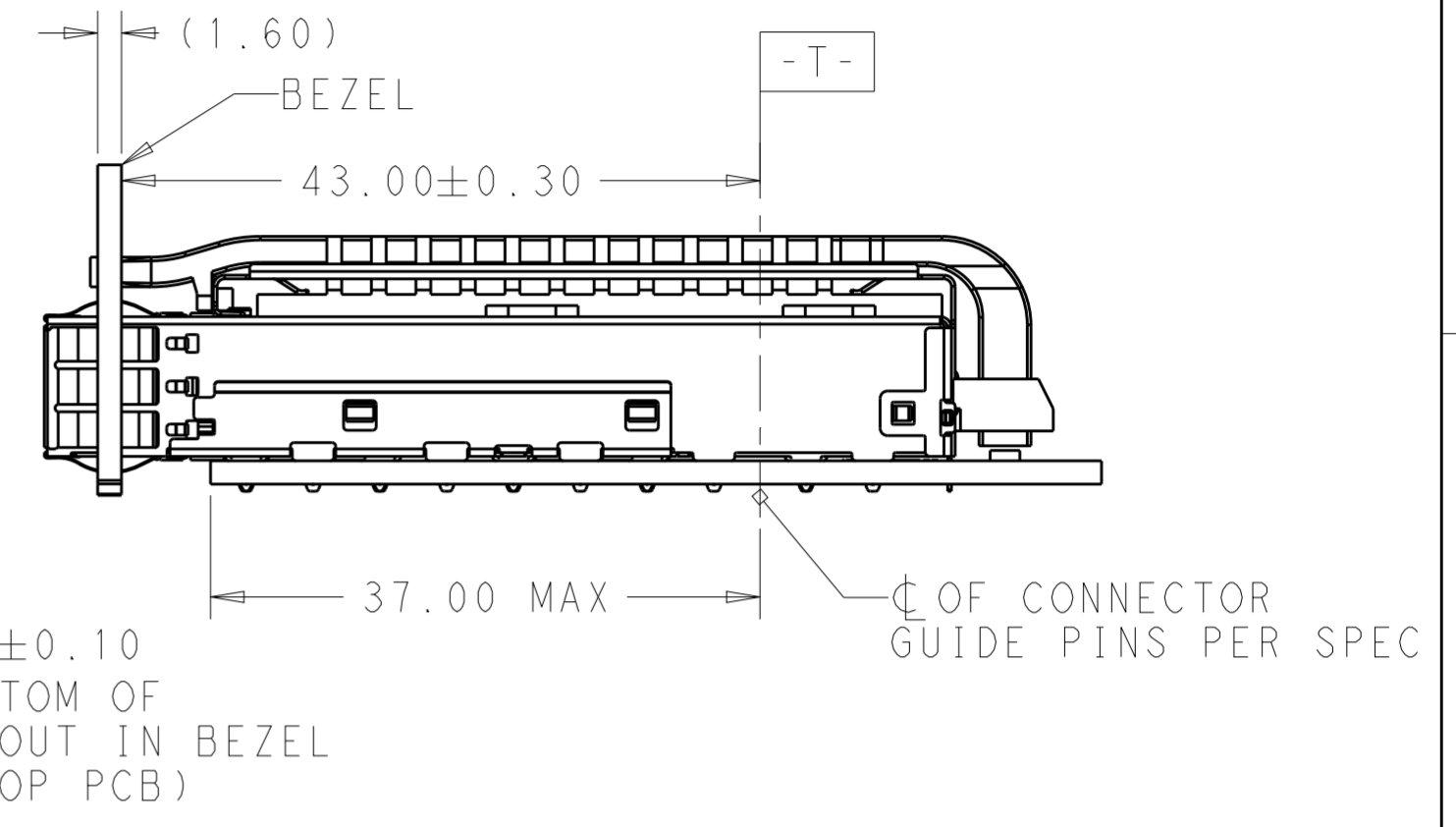
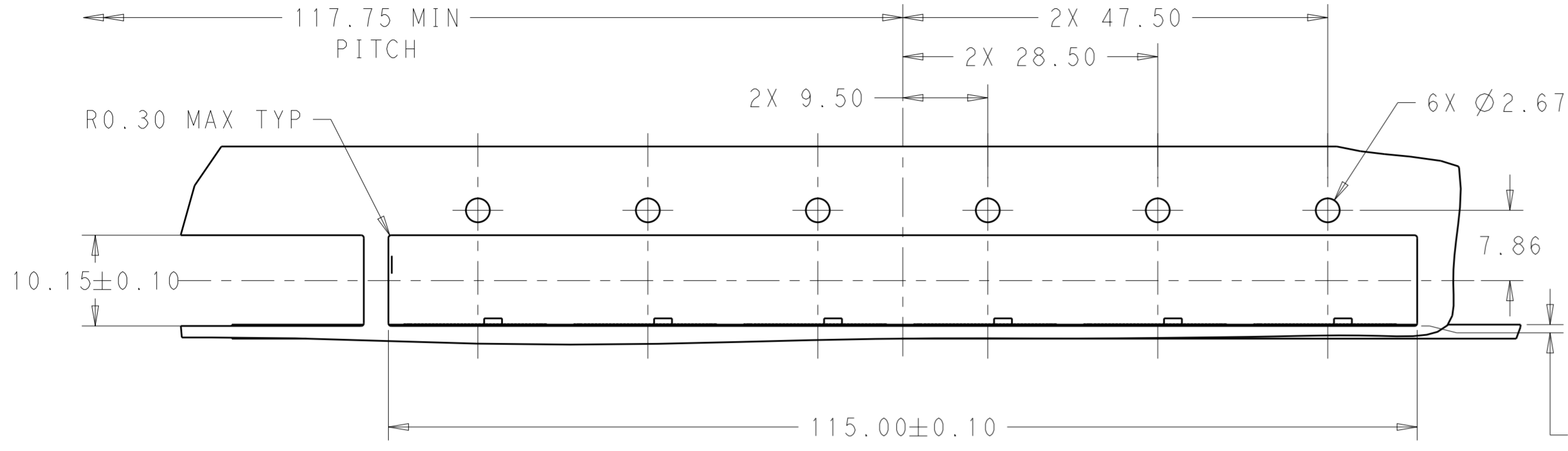
| LOC | | DIST | | REVISIONS | | | |
|-----|-----|-------------|------|-----------|------|--|--|
| P | LTR | DESCRIPTION | DATE | DWN | APVD | | |
| - | | SEE SHEET 1 | - | - | - | | |
| | | | | | | | |
| | | | | | | | |

| | | | | |
|---------------|-------|-------------------|-------------------|-------------|
| 1 | 14.9 | CUSTOMER SPECIFIC | QUAD | 4-2170708-7 |
| 0 | 23.0 | NETWORKING | QUAD | 4-2170708-6 |
| 0 | 16.0 | SAN | QUAD | 4-2170708-5 |
| 0 | 13.7 | PCI | QUAD | 4-2170708-4 |
| 1 | 23.0 | NETWORKING | QUAD | 4-2170708-3 |
| 1 | 16.0 | SAN | QUAD | 4-2170708-2 |
| 1 | 13.7 | PCI | QUAD | 4-2170708-1 |
| 0 | 23.0 | NETWORKING | DUAL | 2-2170708-6 |
| 0 | 16.0 | SAN | DUAL | 2-2170708-5 |
| 0 | 13.7 | PCI | DUAL | 2-2170708-4 |
| 1 | 23.0 | NETWORKING | DUAL | 2-2170708-3 |
| 1 | 16.0 | SAN | DUAL | 2-2170708-2 |
| 1 | 13.7 | PCI | DUAL | 2-2170708-1 |
| 1 | 14.9 | CUSTOMER SPECIFIC | SINGLE | 1-2170708-1 |
| 0 | 23.0 | NETWORKING | SINGLE | 2170708-6 |
| 0 | 16.0 | SAN | SINGLE | 2170708-5 |
| 0 | 13.7 | PCI | SINGLE | 2170708-4 |
| 1 | 23.0 | NETWORKING | SINGLE | 2170708-3 |
| 1 | 16.0 | SAN | SINGLE | 2170708-2 |
| 1 | 13.7 | PCI | SINGLE | 2170708-1 |
| # OF REAR PIN | DIM A | APPLICATION | LIGHT PIPE OPTION | PART NUMBER |

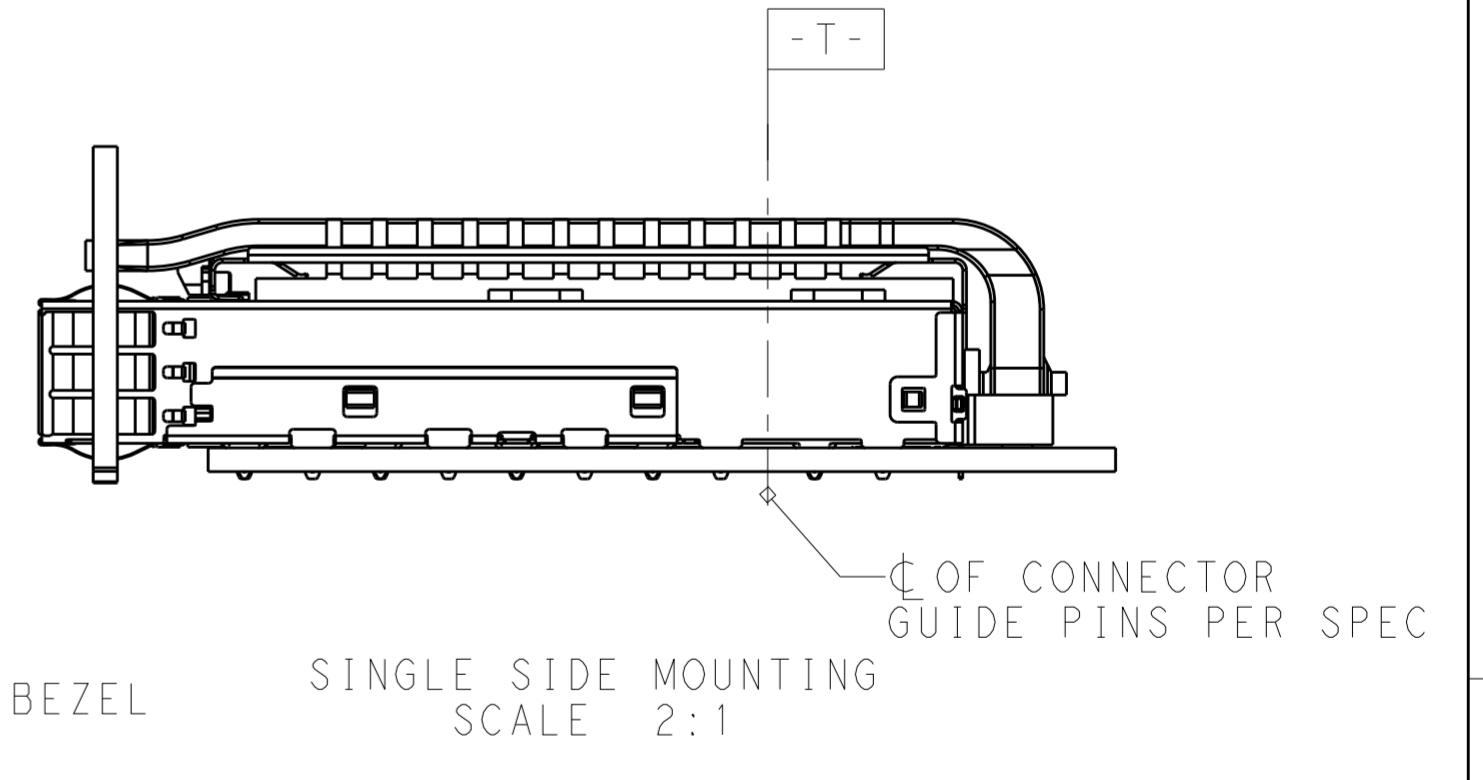
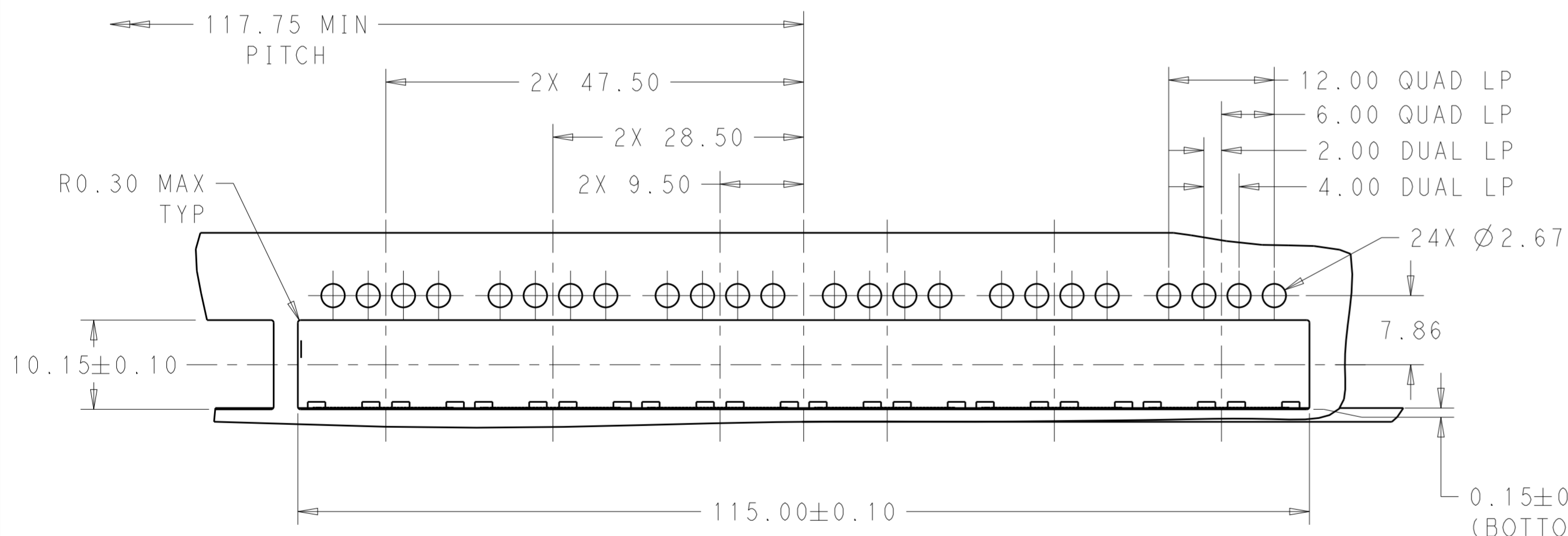
| | | | | |
|---|--|--|---|--|
| THIS DRAWING IS A CONTROLLED DOCUMENT. | | DWN 24OCT2013 JASON YANG |  TE Connectivity | |
| | | CHK 02NOV2016 SEAN HAN | | |
| DIMENSIONS: mm | | TOLERANCES UNLESS OTHERWISE SPECIFIED: | | NAME CAGE ASSEMBLY, 1X6, QSFP28 WITH HEAT SINKS AND LIGHT PIPES, THRU BEZEL, EMI SPRING |
|  | | 0 PLC ± 1 PLC ±0.25 2 PLC ±0.2 3 PLC ± 4 PLC ± ANGLES ± FINISH | | PRODUCT SPEC 108-19428 |
| MATERIAL SEE NOTES material_2 | | FINISH SEE NOTES finish_spec_2 | | APPLICATION SPEC 114-32023 |
| | | WEIGHT - | | SIZE A200779 |
| | | CUSTOMER DRAWING | | DRAWING NO C-2170708 |
| | | SCALE 3:1 | | RESTRICTED TO - |
| | | SHEET 3 OF 9 | | REV A |

THIS DRAWING IS UNPUBLISHED. RELEASED FOR PUBLICATION 20
 © COPYRIGHT 20 BY - ALL RIGHTS RESERVED.

| LOC | | DIST | | REVISIONS | | | |
|-----|-----|-------------|------|-----------|------|--|--|
| P | LTR | DESCRIPTION | DATE | DWN | APVD | | |
| - | - | SEE SHEET 1 | - | - | - | | |



SINGLE SIDE MOUNTING
SCALE 2:1

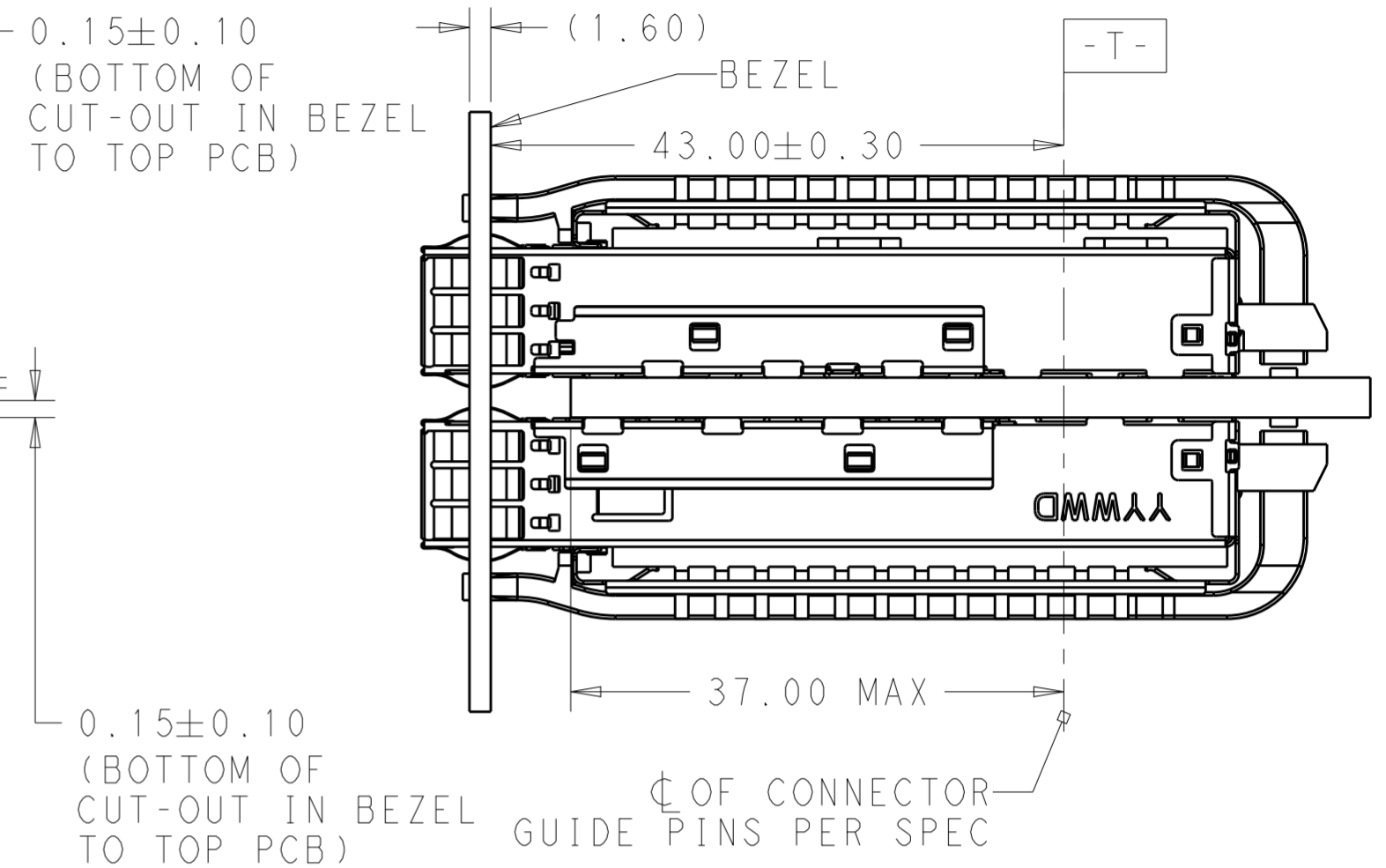
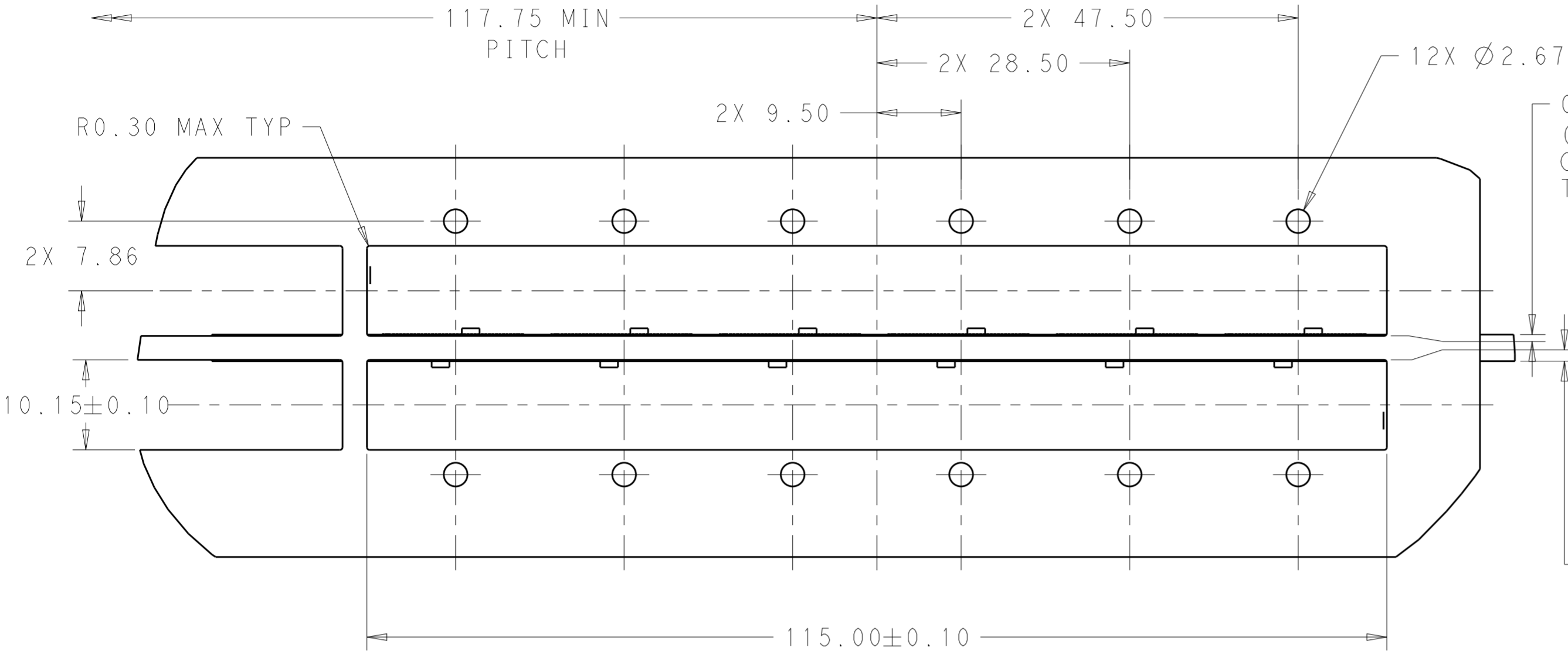


SINGLE SIDE MOUNTING
SCALE 2:1

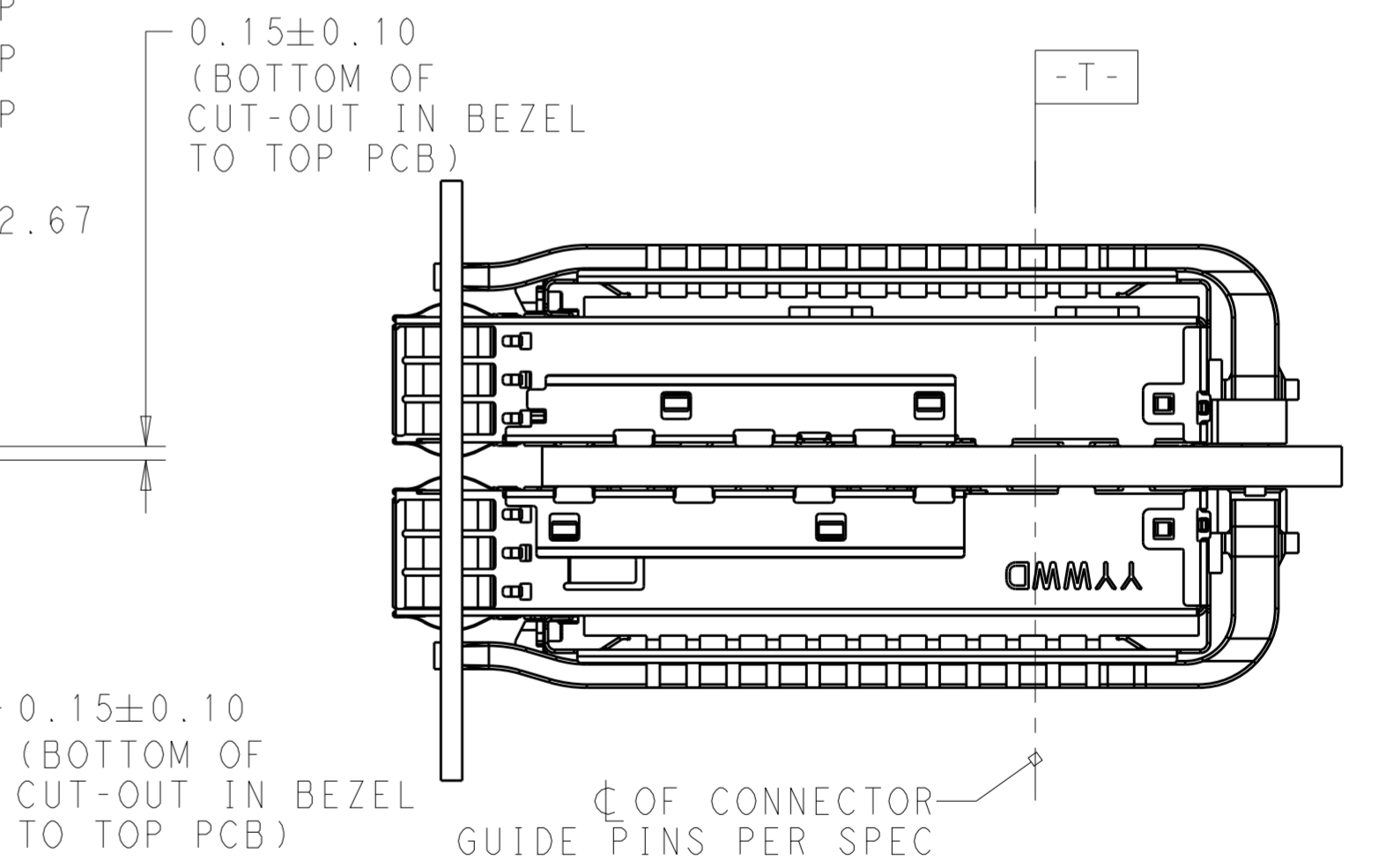
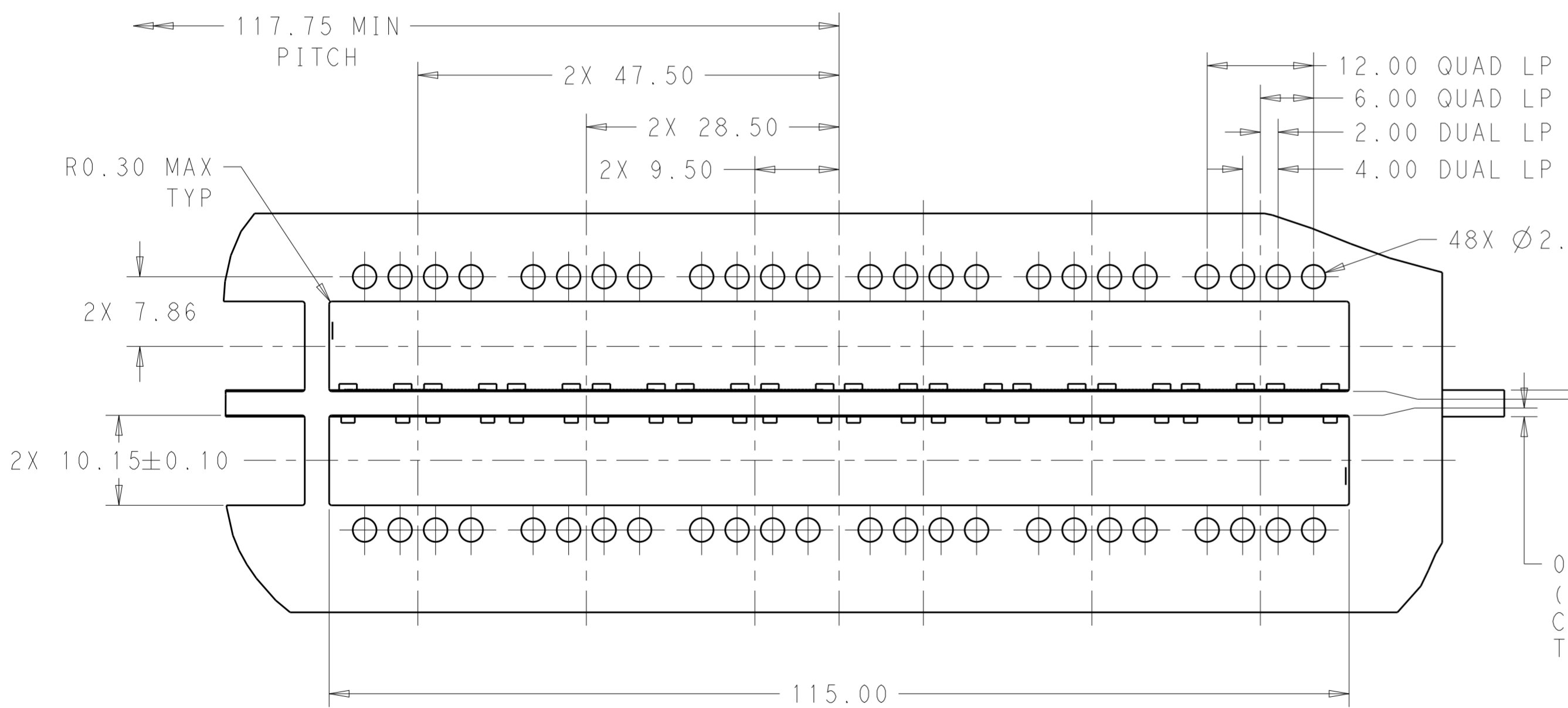
| | | | | |
|--|--|-----------------------------|--|--------------------|
| THIS DRAWING IS A CONTROLLED DOCUMENT. | | DWN 24OCT2013 JASON YANG | TE Connectivity | |
| | | CHK 02NOV2016 SEAN HAN | | |
| DIMENSIONS: | TOLERANCES UNLESS OTHERWISE SPECIFIED: | APVD - | NAME | |
| mm | 0 PLC ± 1 PLC ±0.25 2 PLC ±0.2 3 PLC ± 4 PLC ± ANGLES ± FINISH | PRODUCT SPEC | CAGE ASSEMBLY, 1X6, QSFP28 WITH HEAT SINKS AND LIGHT PIPES, THRU BEZEL, EMI SPRING | |
| MATERIAL | SEE NOTES | APPLICATION SPEC | SIZE | CAGE CODE |
| material_2 | finish_spec_2 | 114-32023 | A200779 | C-2170708 |
| | | WEIGHT - | DRAWING NO | RESTRICTED TO |
| | | CUSTOMER DRAWING | SCALE 3:1 | SHEET 4 OF 9 REV A |

THIS DRAWING IS UNPUBLISHED. RELEASED FOR PUBLICATION 20
 © COPYRIGHT 20 BY - ALL RIGHTS RESERVED.

| LOC | | DIST | | REVISIONS | | | |
|-----|-----|-------------|------|-----------|------|--|--|
| P | LTR | DESCRIPTION | DATE | DWN | APVD | | |
| - | - | SEE SHEET 1 | - | - | - | | |



BELLY TO BELLY MOUNTING
SCALE 2:1

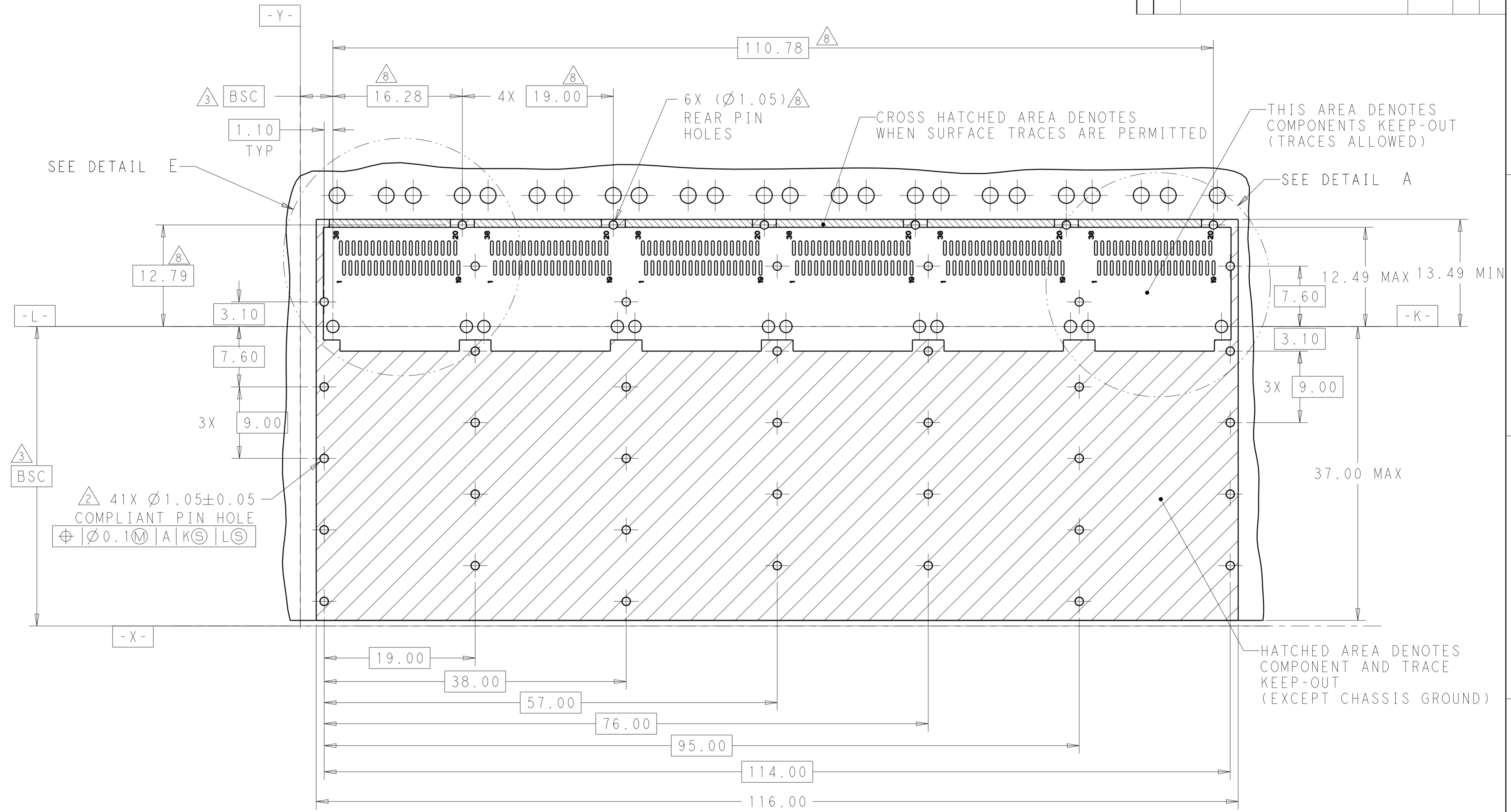


BELLY TO BELLY MOUNTING
SCALE 2:1

| | | | | |
|--|--|-----------------------------|--|---------------|
| THIS DRAWING IS A CONTROLLED DOCUMENT. | | DWN 24OCT2013 JASON YANG | STE TE Connectivity | |
| | | CHK 02NOV2016 SEAN HAN | | |
| DIMENSIONS: | TOLERANCES UNLESS OTHERWISE SPECIFIED: | APVD - | NAME | |
| mm | 0 PLC ± 1 PLC ±0.25 2 PLC ±0.2 3 PLC ± 4 PLC ± | PRODUCT SPEC | CAGE ASSEMBLY, 1X6, QSFP28 WITH HEAT SINKS AND LIGHT PIPES, THRU BEZEL, EMI SPRING | |
| | ANGLES ± | APPLICATION SPEC | SIZE | CAGE CODE |
| MATERIAL | FINISH | 114-32023 | A200779 | DRAWING NO |
| SEE NOTES material_2 | SEE NOTES finish_spec_2 | WEIGHT - | C-2170708 | RESTRICTED TO |
| | | CUSTOMER DRAWING | SCALE 3:1 | SHEET 5 OF 9 |
| | | | | REV A |

THIS DRAWING IS UNPUBLISHED. RELEASED FOR PUBLICATION 20
 © COPYRIGHT 20 BY - ALL RIGHTS RESERVED.

| LOC | DIST | REVISIONS | | | |
|-----|------|-------------|------|-----|------|
| P | LTR | DESCRIPTION | DATE | DWN | APVD |
| - | - | SEE SHEET 1 | - | - | - |
| | | | | | |
| | | | | | |

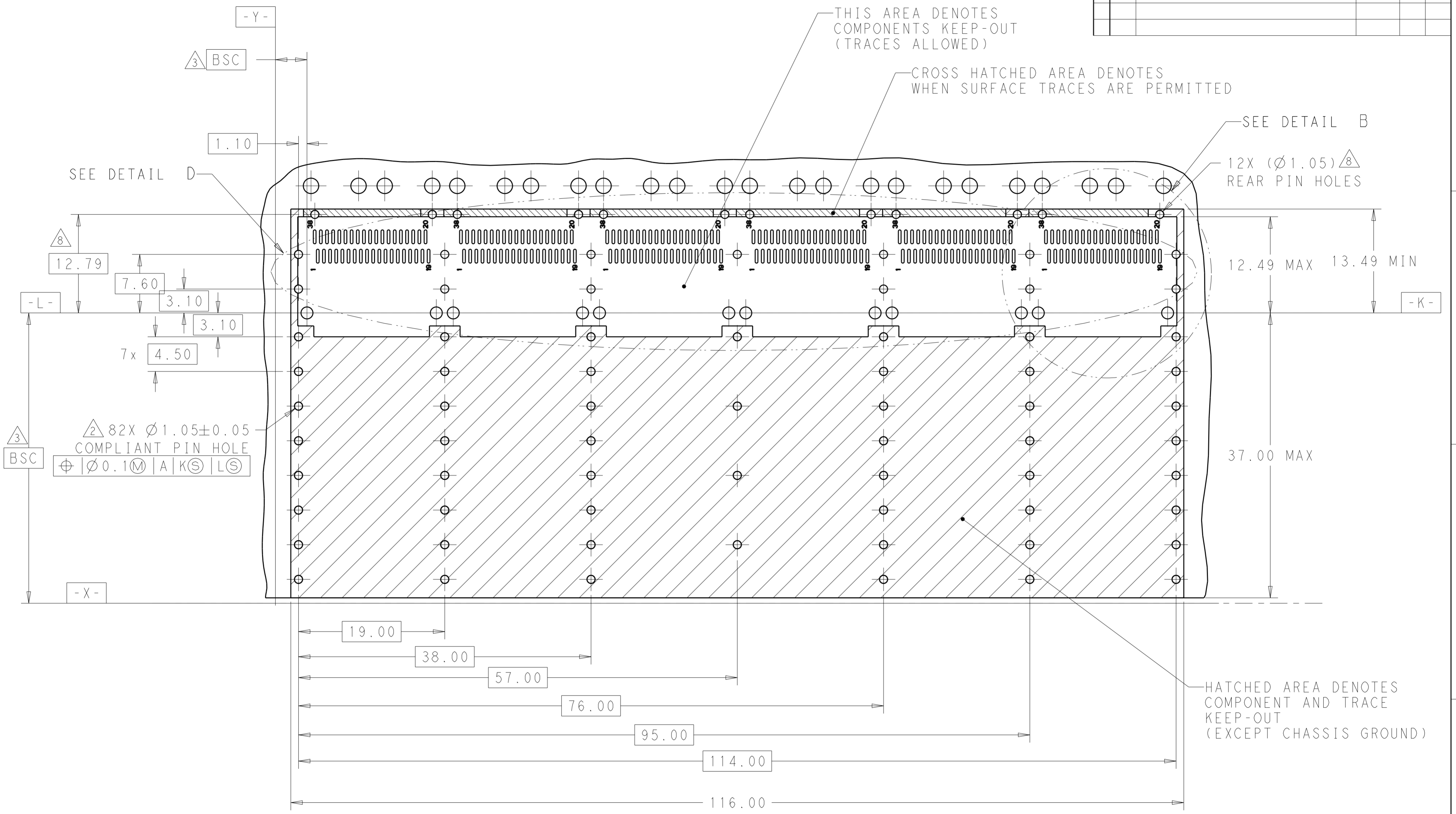


RECOMMENDED PCB LAYOUT
 SINGLE TYPE
 PCB TOLERANCE: ±0.05
 SCALE 3:1

| | | | | |
|--|--|-------------------------------|--|--|
| THIS DRAWING IS A CONTROLLED DOCUMENT. | | DWN 24OCT2013 JASON YANG | TE Connectivity | |
| | | CHK 02NOV2016 SEAN HAN | | |
| DIMENSIONS: mm | | APVD - | NAME CAGE ASSEMBLY, 1X6, QSFP28 WITH HEAT SINKS AND LIGHT PIPES, THRU BEZEL, EMI SPRING | |
| TOLERANCES UNLESS OTHERWISE SPECIFIED: | | PRODUCT SPEC 108-19428 | SIZE A200779 | |
| 0 PLC ± | | APPLICATION SPEC 114-32023 | DRAWING NO C-2170708 | |
| 1 PLC ±0.25 | | WEIGHT - | RESTRICTED TO - | |
| 2 PLC ±0.2 | | SCALE 3:1 SHEET 6 OF 9 REV A | | |
| 3 PLC ± | | CUSTOMER DRAWING | | |
| 4 PLC ± | | | | |
| ANGLES ± | | | | |
| FINISH SEE NOTES | | | | |
| MATERIAL SEE NOTES | | | | |
| material_2 | | | | |
| finish_spec_2 | | | | |

THIS DRAWING IS UNPUBLISHED. RELEASED FOR PUBLICATION 20
 © COPYRIGHT 20 BY - ALL RIGHTS RESERVED.

| LOC | | DIST | | REVISIONS | | | |
|-----|-----|-------------|------|-----------|------|--|--|
| P | LTR | DESCRIPTION | DATE | DWN | APVD | | |
| - | - | SEE SHEET 1 | - | - | - | | |

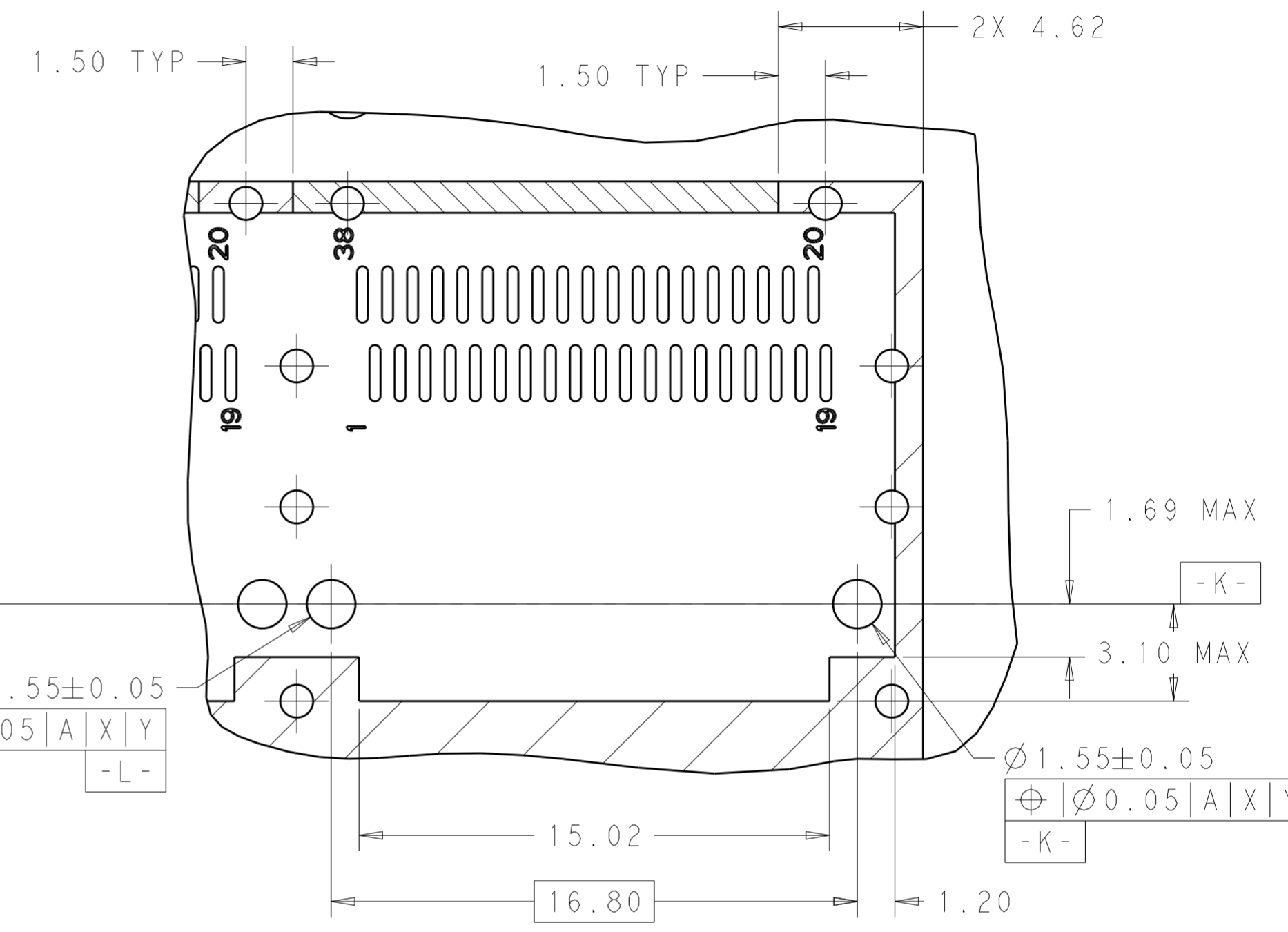


RECOMMENDED PCB LAYOUT
 BELLY TO BELLY TYPE
 PCB TOLERANCE: ±0.05
 SCALE 3:1

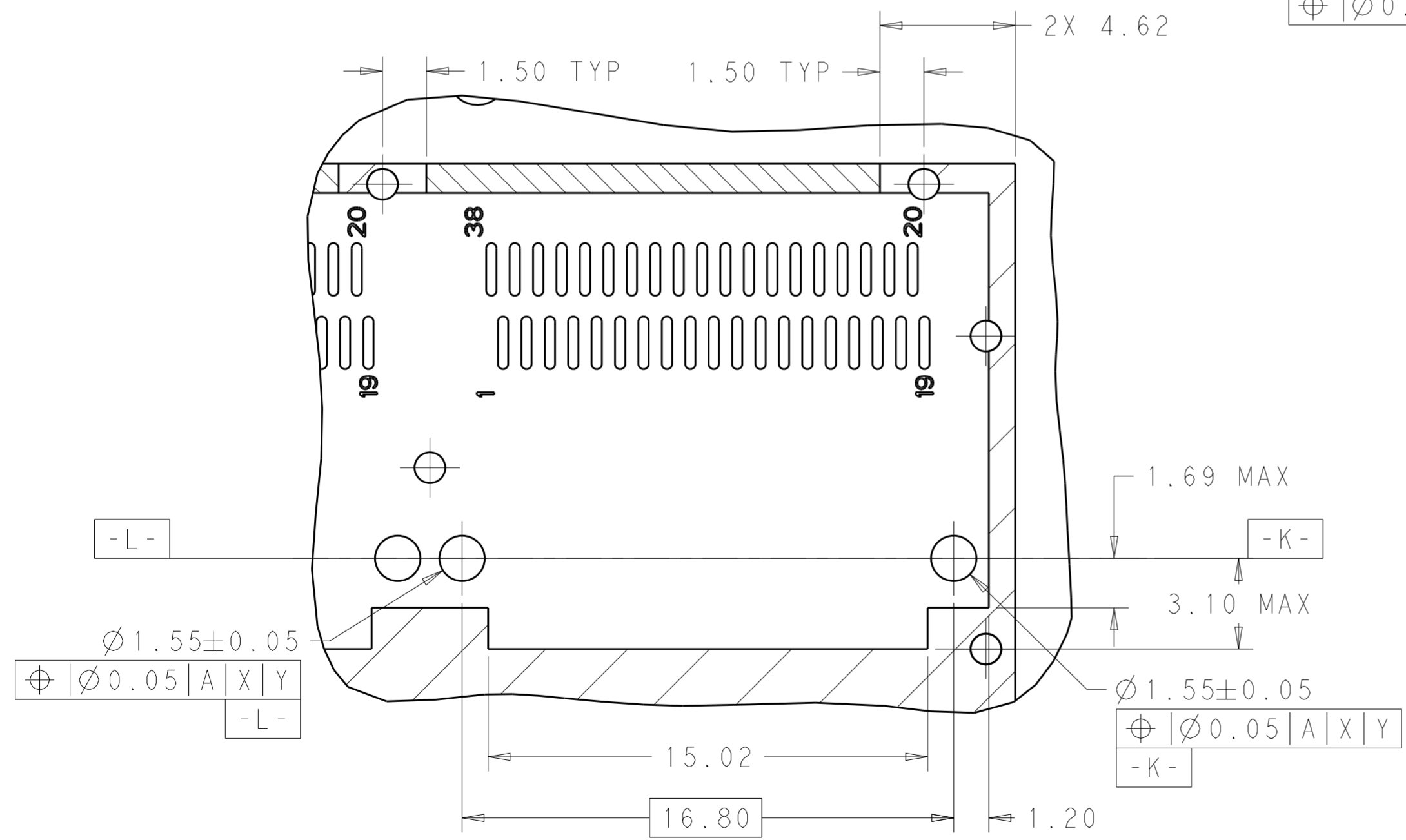
| | | | | |
|--|--|--|-----------------|---|
| THIS DRAWING IS A CONTROLLED DOCUMENT. | | DWN JASON YANG 24OCT2013 | TE Connectivity | |
| | | CHK SEAN HAN 02NOV2016 | | |
| DIMENSIONS: mm | | TOLERANCES UNLESS OTHERWISE SPECIFIED: | | NAME CAGE ASSEMBLY, 1X6, QSP28 WITH HEAT SINKS AND LIGHT PIPES, THRU BEZEL, EMI SPRING |
| | | 0 PLC ± | 1 PLC ±0.25 | PRODUCT SPEC 108-19428 |
| MATERIAL SEE NOTES material_2 | | 2 PLC ±0.2 | 3 PLC ± | APPLICATION SPEC 114-32023 |
| FINISH SEE NOTES finish_spec_2 | | 4 PLC ± | ANGLES ± | SIZE A200779 |
| | | APVD - | | DRAWING NO C-2170708 |
| | | WEIGHT - | | RESTRICTED TO - |
| | | CUSTOMER DRAWING | | SCALE 3:1 SHEET 7 OF 9 REV A |

THIS DRAWING IS UNPUBLISHED. RELEASED FOR PUBLICATION 20
 © COPYRIGHT 20 BY - ALL RIGHTS RESERVED.


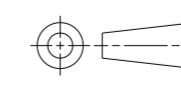
| LOC | DIST | REVISIONS | | | |
|-----|------|-------------|------|-----|------|
| P | LTR | DESCRIPTION | DATE | DWN | APVD |
| - | - | SEE SHEET 1 | - | - | - |
| | | | | | |
| | | | | | |



DETAIL B
SCALE 6:1

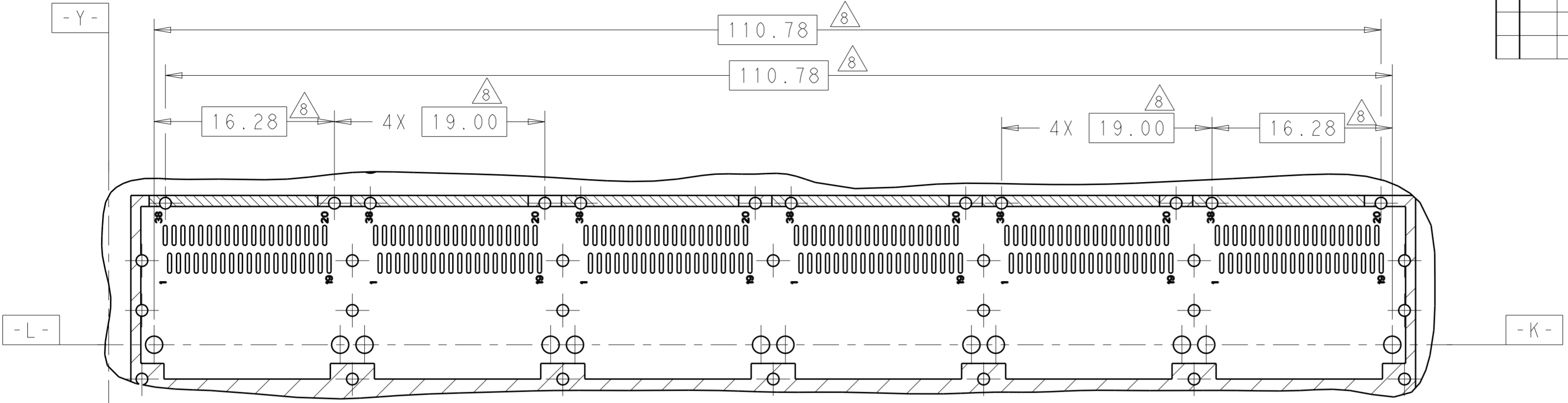


DETAIL A
SCALE 6:1

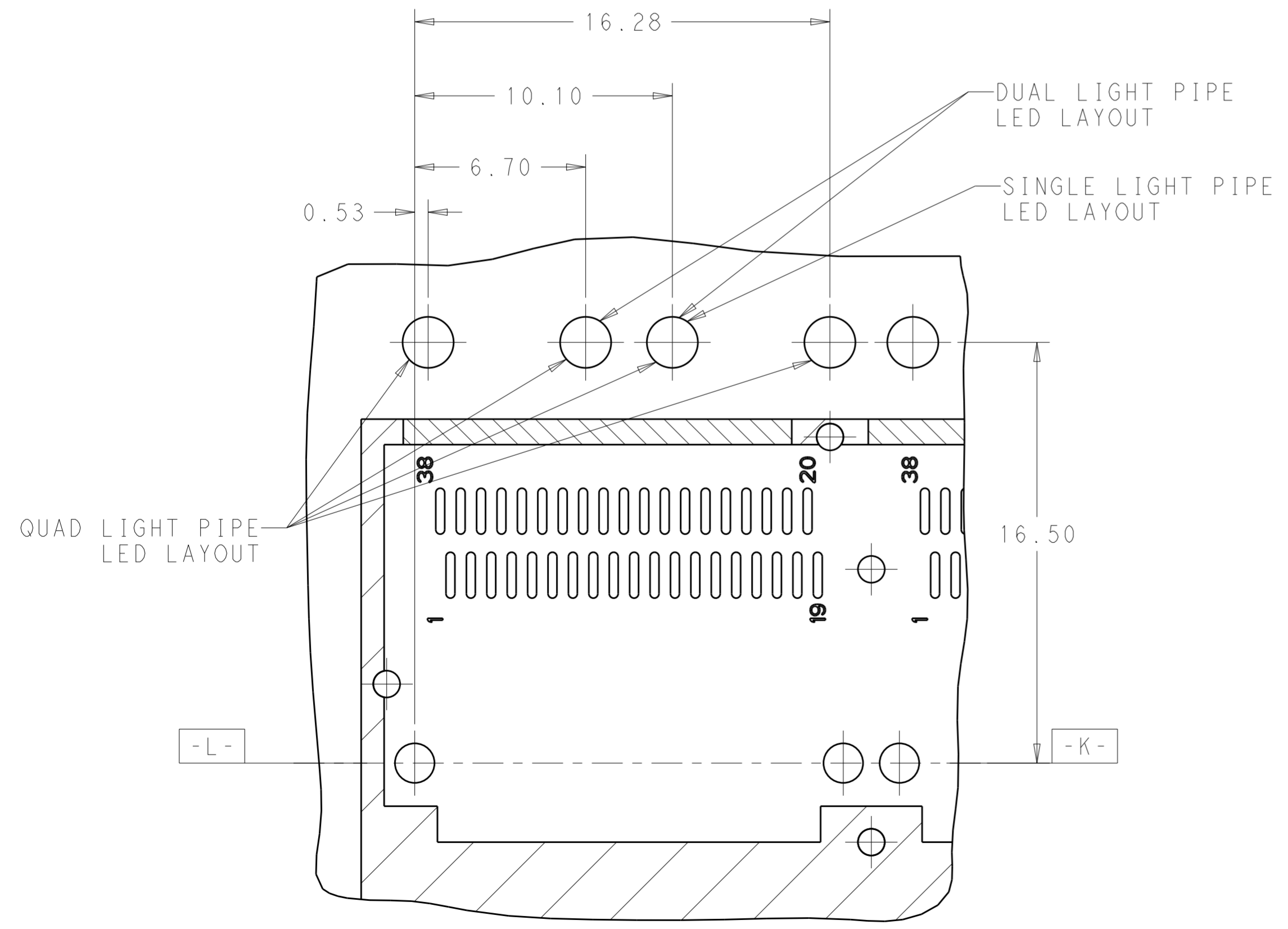
| | | | |
|---|--|-------------------------------|---|
| THIS DRAWING IS A CONTROLLED DOCUMENT. | | DWN 24OCT2013 JASON YANG |  TE Connectivity |
| | | CHK 02NOV2016 SEAN HAN | |
| DIMENSIONS: mm | TOLERANCES UNLESS OTHERWISE SPECIFIED: | APVD - | NAME CAGE ASSEMBLY, 1X6, QSFP28 WITH HEAT SINKS AND LIGHT PIPES, THRU BEZEL, EMI SPRING |
|  | 0 PLC ± 1 PLC ±0.25 2 PLC ±0.2 3 PLC ± 4 PLC ± | PRODUCT SPEC 108-19428 | SIZE A200779 |
| MATERIAL SEE NOTES material_2 | FINISH SEE NOTES finish_spec_2 | APPLICATION SPEC 114-32023 | DRAWING NO C-2170708 |
| | | WEIGHT - | RESTRICTED TO - |
| | | CUSTOMER DRAWING | SCALE 3:1 SHEET 8 OF 9 REV A |

THIS DRAWING IS UNPUBLISHED. RELEASED FOR PUBLICATION 20
 © COPYRIGHT 20 BY - ALL RIGHTS RESERVED.

| LOC | DIST | REVISIONS | | | |
|-----|------|-------------|------|-----|------|
| P | LTR | DESCRIPTION | DATE | DWN | APVD |
| - | - | SEE SHEET 1 | - | - | - |



DETAIL D
SCALE 3:1



DETAIL E
SCALE 6:1

| | | | |
|--|--|-------------------------------|--|
| THIS DRAWING IS A CONTROLLED DOCUMENT. | | DWN 24OCT2013 JASON YANG | STE TE Connectivity |
| | | CHK 02NOV2016 SEAN HAN | |
| DIMENSIONS: mm | TOLERANCES UNLESS OTHERWISE SPECIFIED: | APVD - | NAME CAGE ASSEMBLY, 1X6, QSFP28 WITH HEAT SINKS AND LIGHT PIPES, THRU BEZEL, EMI SPRING |
| | 0 PLC ± 1 PLC ±0.25 2 PLC ±0.2 3 PLC ± 4 PLC ± | PRODUCT SPEC 108-19428 | SIZE A200779 |
| MATERIAL SEE NOTES material_2 | FINISH SEE NOTES finish_spec_2 | APPLICATION SPEC 114-32023 | DRAWING NO C-2170708 |
| | | WEIGHT - | RESTRICTED TO - |
| | | CUSTOMER DRAWING | SCALE 3:1 SHEET 9 OF 9 REV A |