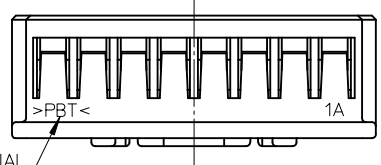
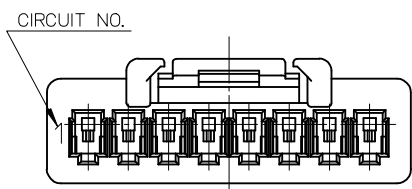
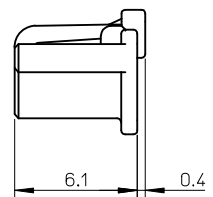
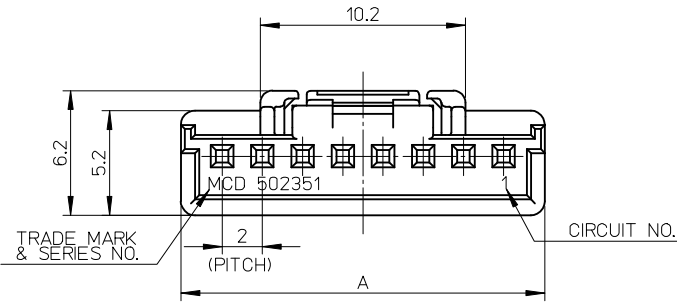


NOTES

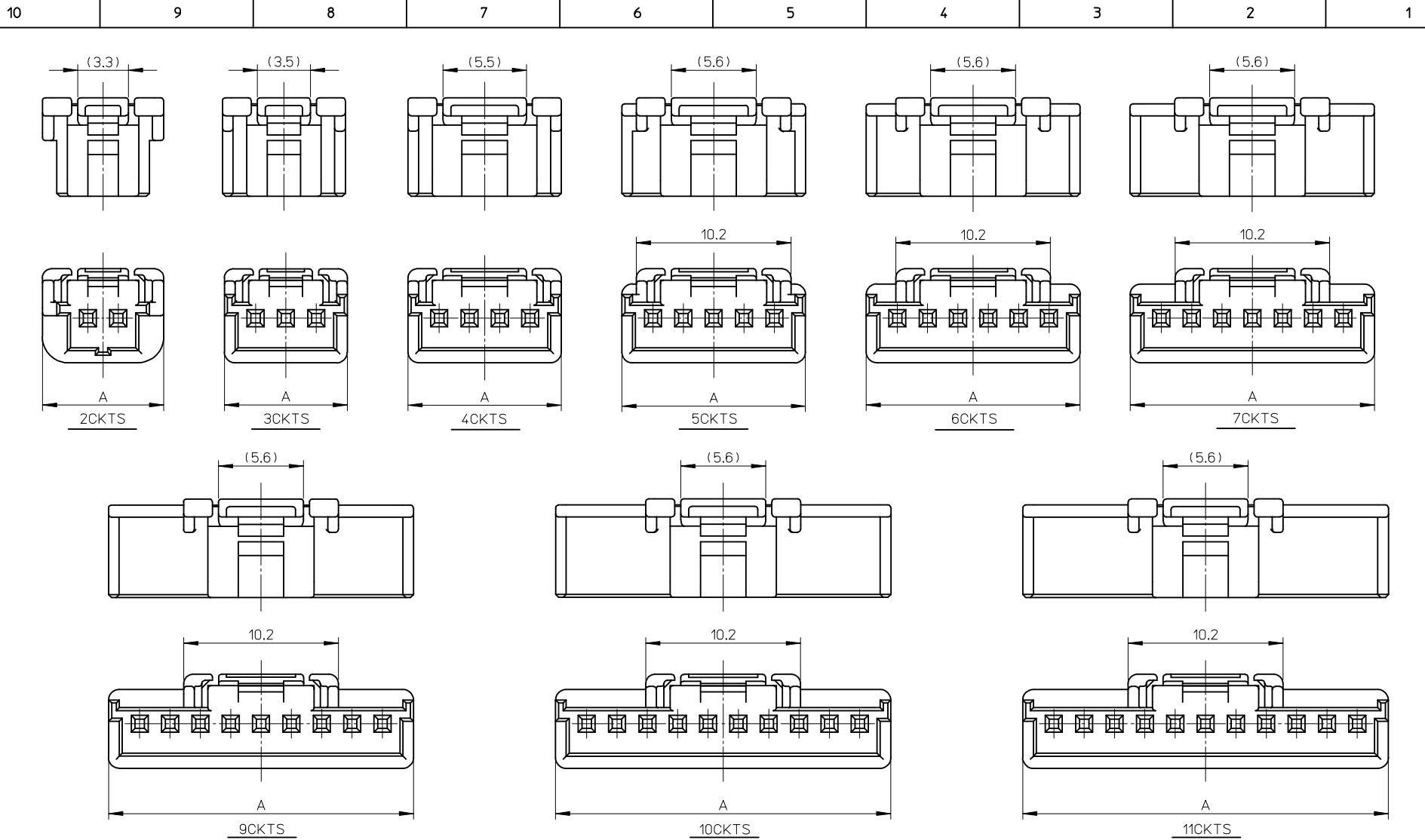
1. 材質: PBT UL94V-0
MATERIAL: PBT UL94V-0
2. 色: 白, 黒
COLOR: WHITE, BLACK
3. 適合端子: 50212, 50372, 56161, 560085シリーズ
APPLICABLE TERMINAL: 50212, 50372, 56161, 560085 SERIES
4. 嵌合相手: 502352, 560020シリーズ
MATES WITH: 502352, 560020 SERIES
5. ELV及びRoHS適合品
ELV AND RoHS COMPLIANT
6. 一般公差
GENERAL TOLERANCES
10 UNDER: 0.2
10 OVER 30 UNDER: 0.25
30 OVER: 0.3
ANGULAR: ±3°



COLOR	A	MATERIAL NO.	CKTS	COLOR	A	MATERIAL NO.	CKTS
BLACK	32.1	502351-1500	15	NATURAL	32.1	502351-1500	15
	30.1	502351-1400	14		30.1	502351-1400	14
	28.1	502351-1300	13		28.1	502351-1300	13
	26.1	502351-1200	12		26.1	502351-1200	12
	24.1	502351-1100	11		24.1	502351-1100	11
	22.1	502351-1000	10		22.1	502351-1000	10
	20.1	502351-0900	9		20.1	502351-0900	9
	18.1	502351-0800	8		18.1	502351-0800	8
16.1	502351-0700	7	16.1	502351-0700	7		
14.1	502351-0600	6	14.1	502351-0600	6		
12.1	502351-0500	5	12.1	502351-0500	5		
10.1	502351-0400	4	10.1	502351-0400	4		
8.1	502351-0300	3	8.1	502351-0300	3		
8.0	502351-0200	2	8.0	502351-0200	2		

8CKTS

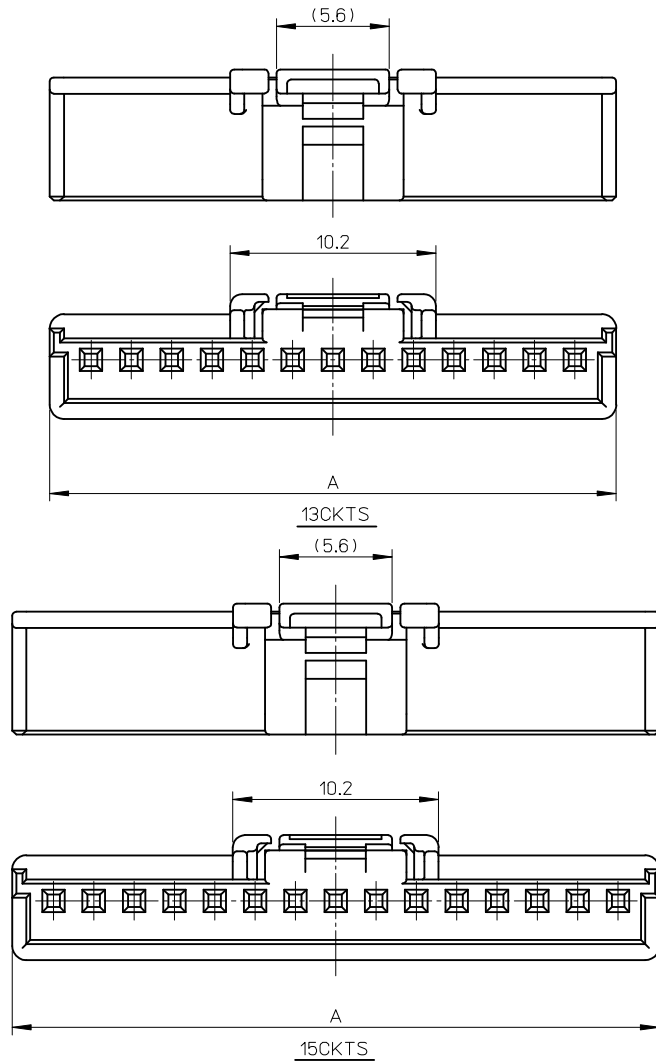
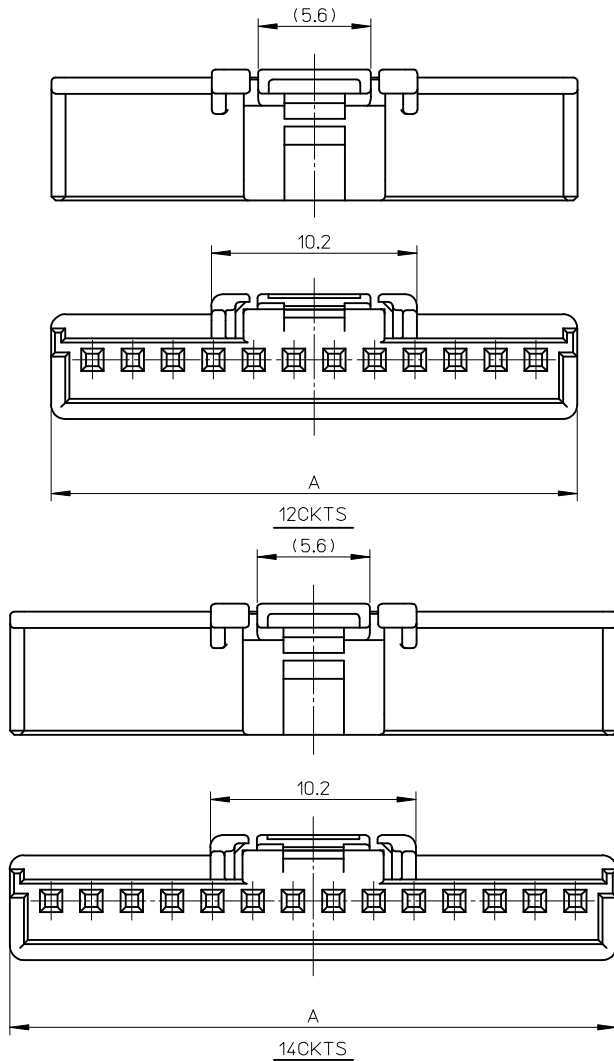
REVISED EC NO: JTR2016-0015 DRW:KNAGA102 2016/03/07 CHK:DHKOWATSU 2016/03/07 APPR: MAYAMOTO 2016/03/08	QUALITY SYMBOLS △=0 □=0 ○=0	GENERAL TOLERANCES (UNLESS SPECIFIED)		DIMENSION STYLE MM ONLY		SCALE 4:1	DESIGN UNITS METRIC	THIRD ANGLE PROJECTION	
		4 PLACES ± --- ± --- 3 PLACES ± --- ± --- 2 PLACES ± --- ± --- 1 PLACE ± --- ± --- 0 PLACE ± --- ± ---	mm INCH --- --- --- --- --- --- --- --- --- ---	DRAWN BY SHSHIBATA	DATE 2007/12/18	TITLE 2.0MM PITCH WIRE TO BOARD CONN. RECEPTACLE HOUSING			
		ANGULAR ± - °		CHECKED BY HKOMATSU	DATE 2007/12/18	MATERIAL NO. SD-502351-001			
		DRAFT WHERE APPLICABLE MUST REMAIN WITHIN DIMENSIONS		APPROVED BY MAYAMOTO	DATE 2010/12/02	SHEET NO. 1 OF 3			



REVISED EC NO: JTR2016-0015 DRWN:KAGAI02 2016/03/07 CHKD:HKOMATSU 2016/03/07 APPR: MAYAMAMOTO 2016/03/08	QUALITY SYMBOLS $\nabla = 0$ $\nabla = 0$ $\nabla = 0$	GENERAL TOLERANCES (UNLESS SPECIFIED)		DIMENSION STYLE MM ONLY	SCALE 4:1	DESIGN UNITS METRIC	THIRD ANGLE PROJECTION		
		4 PLACES \pm --- \pm --- 3 PLACES \pm --- \pm --- 2 PLACES \pm --- \pm --- 1 PLACE \pm --- \pm --- 0 PLACE \pm --- \pm ---	mm INCH	DRAWN BY SHSHIBATA	DATE 2007/12/18	TITLE 2.0MM PITCH WIRE TO BOARD CONN. RECEPTACLE HOUSING			
		ANGULAR \pm - °		CHECKED BY HKOMATSU	DATE 2007/12/18	molex			
		DRAFT WHERE APPLICABLE MUST REMAIN WITHIN DIMENSIONS		APPROVED BY MAYAMAMOTO	DATE 2010/12/02	MATERIAL NO.	DOCUMENT NO. SD-502351-001	SHEET NO. 2 OF 3	

SEE CHART
 THIS DRAWING CONTAINS INFORMATION THAT IS PROPRIETARY TO MOLEX INCORPORATED AND SHOULD NOT BE USED WITHOUT WRITTEN PERMISSION

10 9 8 7 6 5 4 3 2 1



REVISED EC NO: JTR2016-0015 DRW:KNAGA102 2016/03/07 CHKD:HKOMATSU 2016/03/07 APPR: MAYAMAMOTO 2016/03/08	QUALITY SYMBOLS $\nabla = 0$ $\nabla \square = 0$ $\nabla \square = 0$	GENERAL TOLERANCES (UNLESS SPECIFIED) mm INCH 4 PLACES ± --- ± --- 3 PLACES ± --- ± --- 2 PLACES ± --- ± --- 1 PLACE ± --- ± --- 0 PLACE ± --- ± --- ANGULAR ± - °	DIMENSION STYLE MM ONLY DRAWN BY SHSHIBATA DATE 2007/12/18 CHECKED BY HKOMATSU DATE 2007/12/18 APPROVED BY MAYAMAMOTO DATE 2010/12/02 MATERIAL NO.	SCALE 4:1	DESIGN UNITS METRIC	THIRD ANGLE PROJECTION	TITLE 2.0MM PITCH WIRE TO BOARD CONN. RECEPTACLE HOUSING
	DRAFT WHERE APPLICABLE MUST REMAIN WITHIN DIMENSIONS	SEE CHART	DOCUMENT NO. SD-502351-001	SHEET NO. 3 OF 3			
	THIS DRAWING CONTAINS INFORMATION THAT IS PROPRIETARY TO MOLEX INCORPORATED AND SHOULD NOT BE USED WITHOUT WRITTEN PERMISSION						
	SIZE A3						

9 8 7 6 5 4 3 2 1