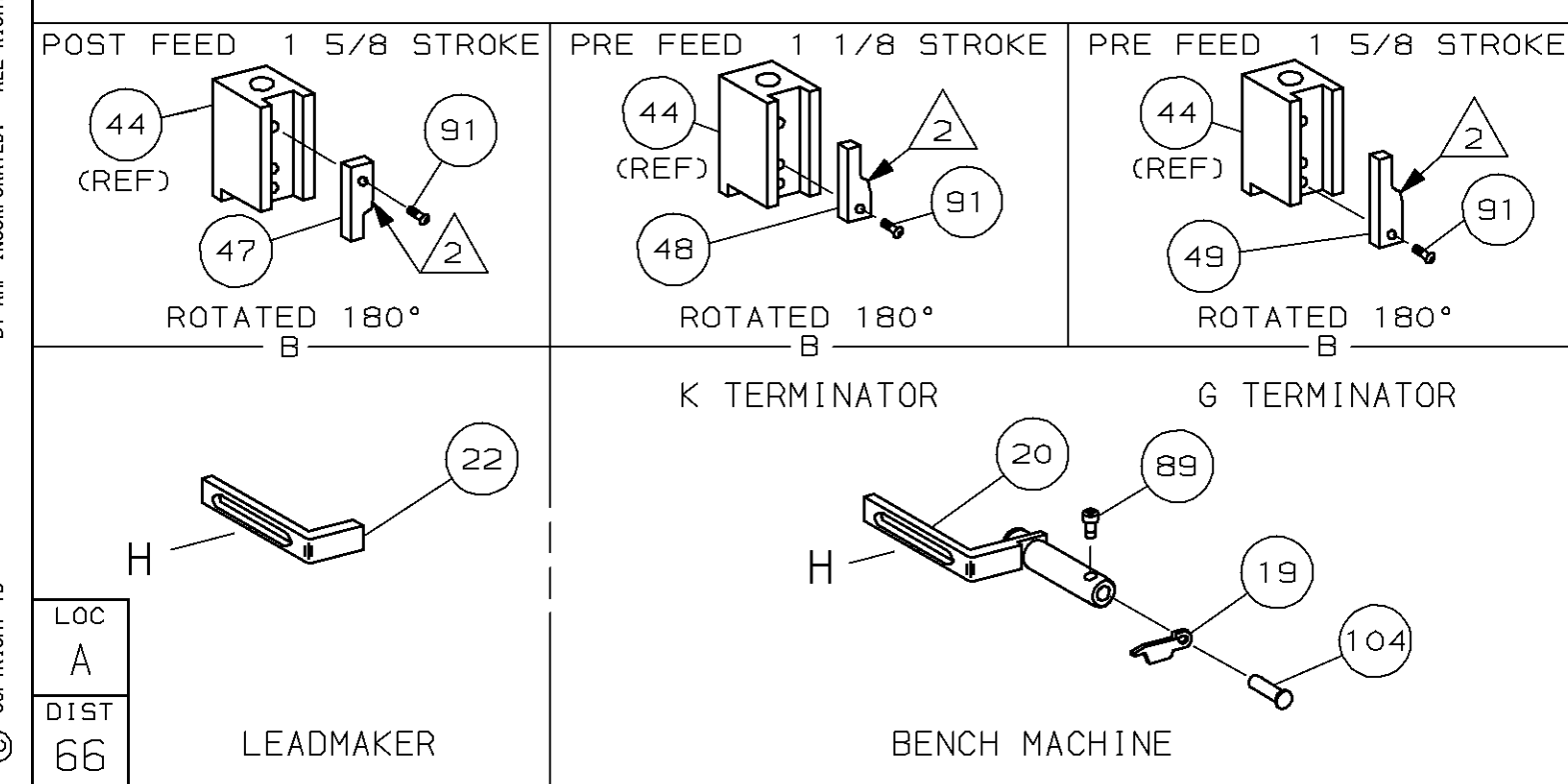
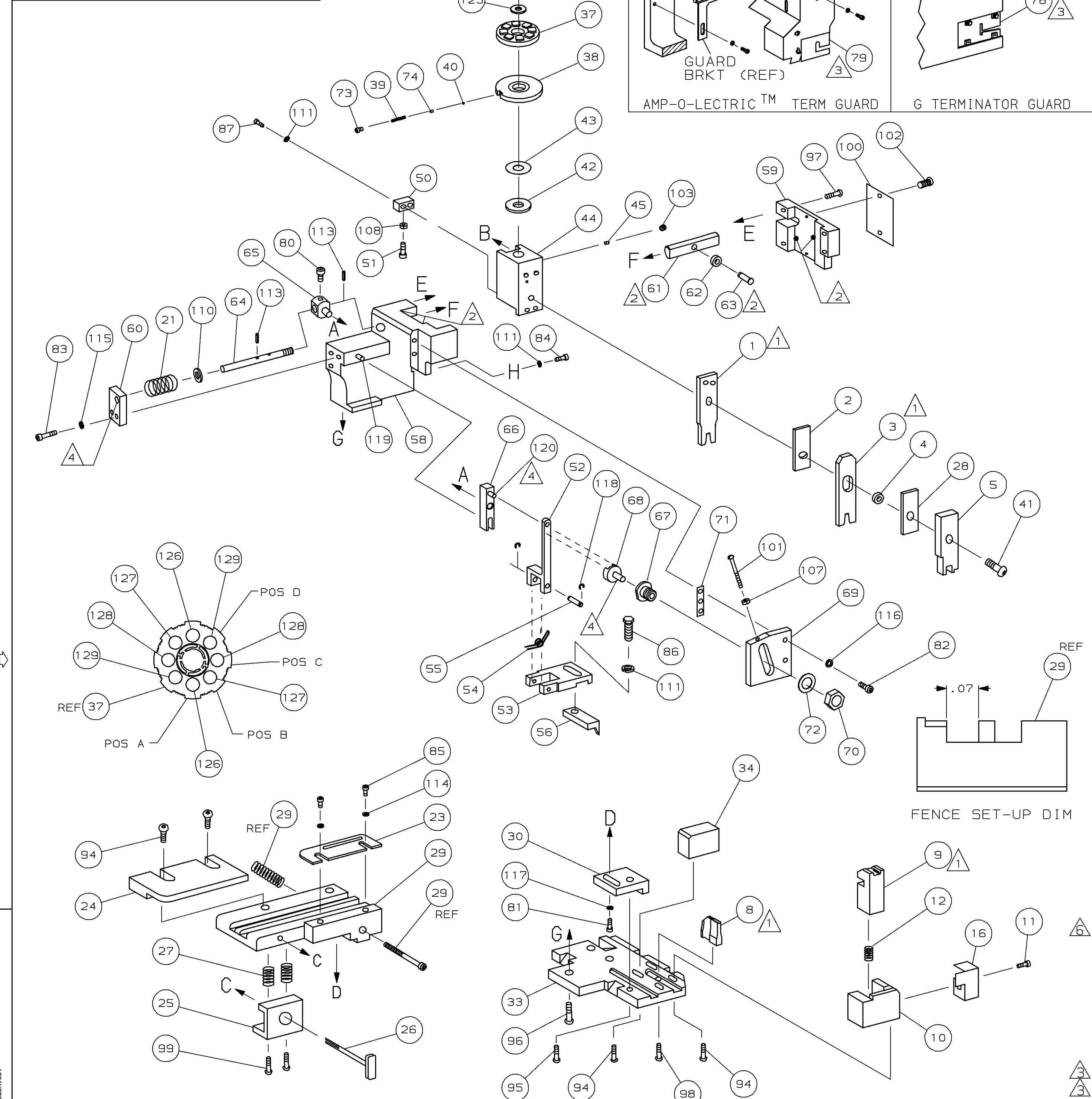


PART NUMBER	REV	FIRST USED
680694-1	A	122500-1
680694-2	A	565435-5
680694-3	A	354500-1



- 1 RECOMMENDED SPARE PARTS.
- 2 GREASE LIGHTLY.
- 3 GUARD MUST BE IN PLACE WHEN OPERATING APPLICATOR IN A BENCH MACHINE.
- 4 LUBRICATE DAILY USING NO. 20 MACHINE OIL.
- 5. ITEMS WITH QTY OF REF SPECIFIED (EXCEPT ITEMS 78 AND 79) ARE USED ON ITEM 46.
- 6 CUT TO LENGTH AT ASSY

TERMINAL NAME: 1MM Ø CONTACT			
CRIMP DATA (AMP TERMINAL)			
PAD LTR	CRIMP HEIGHT	WIRE SIZE	
A	.039 ± .002 [1.0 ± 0.05mm]	.5mm <sup>2</sup>	
B	.036 ± .002 [0.91 ± 0.05mm]	.35mm <sup>2</sup>	
C	.033 ± .002 [0.85 ± 0.05mm]	.25mm <sup>2</sup>	
D	.032 ± .002 [0.83 ± 0.05mm]	.2mm <sup>2</sup>	
CRIMP	SIZE	TYPE	RANGE
WIRE	.055 [1.40mm]	F	.2mm <sup>2</sup> - .5mm <sup>2</sup>
INSUL	.080 [2.03mm]	0	1.0-1.6mm

QTY REQD PER ASSY	TERM APPL	SPEC	FEED	APPL INSTRUCTION	SET UP GAGE	LAYOUT
2	2	2	-	C	5-354779-2	PIN, WIRE DISC (.3250)D 129
2	2	2	-	C	5-354779-0	PIN, WIRE DISC (.3240)C 128
2	2	2	-	C	4-354779-3	PIN, WIRE DISC (.3205)B 127
2	2	2	-	C	3-354779-8	PIN, WIRE DISC (.3180)A 126
1	1	1	-	A	986950-1	WASHER, FLAT PRECISION 125
1	1	1	-	A	217238-1	GENERAL INSTRUCTION PACKAGE 124
1	1	1	-	-	4088040	SF APPL INST 408-8040 123
REF	REF	REF	-	A	1-21030-1	PIN, DOWEL (Ø.187x.50) LEVER 120
REF	REF	REF	-	A	1-21030-6	PIN, DOWEL (Ø.187x1.25) HOUSING 119
REF	REF	REF	-	A	21045-3	RING, RET "C" (Ø.187) FD FING PIN 118
1	1	1	-	A	21024-5	WASHER, LOCK (#10) ADJ BLOCK 117
REF	REF	REF	-	A	21024-5	WASHER, LOCK (#10) ADJ PLATE 116
REF	REF	REF	-	A	21024-5	WASHER, LOCK (#10) FEED GDE ROD 115
2	2	2	-	A	21024-2	WASHER, LOCK (#4) FRONT STP GUIDE 114
REF	REF	REF	-	A	5-21028-1	PIN, SLT SPR (Ø.125x.50) ADJ ROD 113
4	4	4	-	A	21024-4	WASHER, LOCK (#8) STRIPPER 111
REF	REF	REF	-	A	21899-4	WASHER, FLAT (Ø5/16) SCREW ADJ 110
1	1	1	-	A	21018-5	NUT, HEX (NO. 6) HOLDDOWN 109
REF	REF	REF	-	A	21068-5	NUT, HEX (6-32) FEED ADJ 107
1	1	1	-	A	992031-1	PIN, CLEVIS 104
1	1	1	-	A	21009-2	SCR, SKT SET (1/4-20x.25 LW) RAM 103
2	2	2	-	A	21017-2	SCR, DRIVE (#2x.19) ID PLATE 102
REF	REF	REF	-	A	6-23715-5	SCR, PAN HD (6-32x1.50) FEED ADJ 101
1	1	1	-	B	461264-1	PLATE, IDENTIFICATION 100
2	2	2	-	A	3-21002-0	SCR, BHC (10-32x.88) DRAG 99
1	1	1	-	A	22733-8	SCR, BHC (8-32x.38 LW) ANVIL 98
REF	REF	REF	-	A	2-21002-9	SCR, BHC (10-32x.75) CAP 97
REF	REF	REF	-	A	2-22733-8	SCR, BHC (1/4-20x.62) HOUSING 96
REF	REF	REF	-	A	2-21002-7	SCR, BHC (10-32x.50) SG ADJ BLOCK 95
6	6	6	-	A	2-21002-2	SCR, BHC (8-32x.50) TERM H DWN 94
1	1	1	-	A	1-21002-7	SCR, BHC (6-32x.38) CAM 91
1	1	-	-	A	7-21000-9	SCR, SHC (4-40x.19) STRIPPER 89
2	2	2	-	A	2-21000-7	SCR, SHC (8-32x.48) DEP-HOLD 87
1	1	1	-	A	2-22603-0	SCR, HEX HD (8-32x.31) FEED FINGER 86
2	2	2	-	A	1-21000-3	SCR, SHC (4-40x.25) F ST GUIDE 85
1	1	1	-	A	2-21000-7	SCR, SHC (8-32x.50) STRIPPER 84
REF	REF	REF	-	A	3-21000-7	SCR, SHC (10-32x.75) FEED ROD GD 83
REF	REF	REF	-	A	3-21000-6	SCR, SHC (10-32x.62) FD ADJ BLK 82
1	1	1	-	A	3-21000-4	SCR, SHC (10-32x.38) SG ADJ BL 81
REF	REF	REF	-	A	3-21000-4	SCR, SHC (10-32x.38) PIVOT BLK 80
-	REF	-	-	B	455749-1	GUARD, WINDOW 79
REF	-	-	-	B	679532-1	INSERT, GUARD 78
1	1	1	-	A	690603-1	SPRING, ASSIST 74
1	1	1	-	A	23030-1	SCR, SHC (6-32x.25 SL) INS DISC 73
REF	REF	REF	-	A	458109-1	WASHER, SPECIAL 72
REF	REF	REF	-	A	690517-1	SPACER 71

QTY REQD PER ASSY	TERM APPL	SPEC	FEED	APPL INSTRUCTION	SET UP GAGE	LAYOUT
2	2	2	-	C	5-354779-2	PIN, WIRE DISC (.3250)D 129
2	2	2	-	C	5-354779-0	PIN, WIRE DISC (.3240)C 128
2	2	2	-	C	4-354779-3	PIN, WIRE DISC (.3205)B 127
2	2	2	-	C	3-354779-8	PIN, WIRE DISC (.3180)A 126
1	1	1	-	A	986950-1	WASHER, FLAT PRECISION 125
1	1	1	-	A	217238-1	GENERAL INSTRUCTION PACKAGE 124
1	1	1	-	-	4088040	SF APPL INST 408-8040 123
REF	REF	REF	-	A	1-21030-1	PIN, DOWEL (Ø.187x.50) LEVER 120
REF	REF	REF	-	A	1-21030-6	PIN, DOWEL (Ø.187x1.25) HOUSING 119
REF	REF	REF	-	A	21045-3	RING, RET "C" (Ø.187) FD FING PIN 118
1	1	1	-	A	21024-5	WASHER, LOCK (#10) ADJ BLOCK 117
REF	REF	REF	-	A	21024-5	WASHER, LOCK (#10) ADJ PLATE 116
REF	REF	REF	-	A	21024-5	WASHER, LOCK (#10) FEED GDE ROD 115
2	2	2	-	A	21024-2	WASHER, LOCK (#4) FRONT STP GUIDE 114
REF	REF	REF	-	A	5-21028-1	PIN, SLT SPR (Ø.125x.50) ADJ ROD 113
4	4	4	-	A	21024-4	WASHER, LOCK (#8) STRIPPER 111
REF	REF	REF	-	A	21899-4	WASHER, FLAT (Ø5/16) SCREW ADJ 110
1	1	1	-	A	21018-5	NUT, HEX (NO. 6) HOLDDOWN 109
REF	REF	REF	-	A	21068-5	NUT, HEX (6-32) FEED ADJ 107
1	1	1	-	A	992031-1	PIN, CLEVIS 104
1	1	1	-	A	21009-2	SCR, SKT SET (1/4-20x.25 LW) RAM 103
2	2	2	-	A	21017-2	SCR, DRIVE (#2x.19) ID PLATE 102
REF	REF	REF	-	A	6-23715-5	SCR, PAN HD (6-32x1.50) FEED ADJ 101
1	1	1	-	B	461264-1	PLATE, IDENTIFICATION 100
2	2	2	-	A	3-21002-0	SCR, BHC (10-32x.88) DRAG 99
1	1	1	-	A	22733-8	SCR, BHC (8-32x.38 LW) ANVIL 98
REF	REF	REF	-	A	2-21002-9	SCR, BHC (10-32x.75) CAP 97
REF	REF	REF	-	A	2-22733-8	SCR, BHC (1/4-20x.62) HOUSING 96
REF	REF	REF	-	A	2-21002-7	SCR, BHC (10-32x.50) SG ADJ BLOCK 95
6	6	6	-	A	2-21002-2	SCR, BHC (8-32x.50) TERM H DWN 94
1	1	1	-	A	1-21002-7	SCR, BHC (6-32x.38) CAM 91
1	1	-	-	A	7-21000-9	SCR, SHC (4-40x.19) STRIPPER 89
2	2	2	-	A	2-21000-7	SCR, SHC (8-32x.48) DEP-HOLD 87
1	1	1	-	A	2-22603-0	SCR, HEX HD (8-32x.31) FEED FINGER 86
2	2	2	-	A	1-21000-3	SCR, SHC (4-40x.25) F ST GUIDE 85
1	1	1	-	A	2-21000-7	SCR, SHC (8-32x.50) STRIPPER 84
REF	REF	REF	-	A	3-21000-7	SCR, SHC (10-32x.75) FEED ROD GD 83
REF	REF	REF	-	A	3-21000-6	SCR, SHC (10-32x.62) FD ADJ BLK 82
1	1	1	-	A	3-21000-4	SCR, SHC (10-32x.38) SG ADJ BL 81
REF	REF	REF	-	A	3-21000-4	SCR, SHC (10-32x.38) PIVOT BLK 80
-	REF	-	-	B	455749-1	GUARD, WINDOW 79
REF	-	-	-	B	679532-1	INSERT, GUARD 78
1	1	1	-	A	690603-1	SPRING, ASSIST 74
1	1	1	-	A	23030-1	SCR, SHC (6-32x.25 SL) INS DISC 73
REF	REF	REF	-	A	458109-1	WASHER, SPECIAL 72
REF	REF	REF	-	A	690517-1	SPACER 71

QTY REQD PER ASSY	TERM APPL	SPEC	FEED	APPL INSTRUCTION	SET UP GAGE	LAYOUT
1	1	1	-	B	690542-2	PAWL, FEED 56
REF	REF	REF	-	B	240624-1	PIN, FEED FINGER 55
REF	REF	REF	-	B	691499-1	SPRING, FEED FINGER 54
REF	REF	REF	-	B	690541-1	HOLDER, FEED FINGER 53
REF	REF	REF	-	A	455679-1	LEVER, TERMINAL FEED ARM 52
1	1	1	-	A	811242-2	BUMPER, HOLDDOWN 51
1	1	1	-	A	690753-1	SPACER, TONKER 50
1	-	-	-	B	690602-6	CAM, PRE-FEED 1 5/8 ST 49
-	1	-	-	B	690602-5	CAM, PRE-FEED 1 1/8 ST 48
-	-	-	-	B	690501-4	CAM, POST-FEED 1 5/8 ST 47
1	1	1	-	B	459456-1	APPLICATOR, BASIC (SUBASSY) 46
1	1	1	-	A	690191-1	PLUG, NYLON 45
1	1	1	-	C	455673-1	RAM 44
1	1	1	-	A	690125-1	WASHER, LAMINATED 43
1	1	1	-	A	690124-1	WASHER, RAM 42
1	1	1	-	A	7-21002-9	BOLT, CRIMPER (5/16x1.00) 41
1	1	1	-	A	23241-6	BALL, STEEL 40
1	1	1	-	A	690170-1	SPRING, COMPRESSION 39
1	1	1	-	C	690142-1	DISC, INSULATION 38
1	1	1	-	D	354777-1	WIRE DISC, PLASTIC 37
1	1	1	-	A	22480-5	WASHER, SPRING 36
1	1	1	-	B	690212-1	POST, RAM 35
1	1	1	-	B	2-690786-3	SUPPORT, TERMINAL 34
REF	REF	REF	-	D	455675-1	PLATE, BASE 33
REF	REF	REF	-	B	455689-1	BLOCK, STRIP GUIDE ADJ 30
1	1	1	-	C	318756-1	STRIP GUIDE PLATE ASSY 29
1	1	1	-	C	1-455888-0	SPACER, FRONT SHEAR DEP 28
2	2	2	-	A	1-22284-0	SPRING, DRAG 27
1	1	1	-	B	690546-1	LEVER, DRAG RELEASE 26
1	1	1	-	B	240792-1	DRAG, TERMINAL 25
1	1	1	-	D	6-690504-3	GUIDE, STRIP (REAR) 24
1	1	1	-	A	690438-1	GUIDE, STRIP (FRONT) 23
-	-	1	-	B	690472-2	STRIPPER 22
REF	REF	REF	-	A	4-22284-9	SPRING, FEED RETURN 21
1	1	-	-	A	679218-1	STRIPPER WIRE STOP ASSY 20
1	1	-	-	B	458949-1	STRIPPER 19
1	1	1	-	B	318563-1	GUARD, CHIP, FRONT 16
1	1	1	-	A	5-22280-0	SPRING, SHEAR 12
1	1	1	-	B	690461-1	STOP, SHEAR 11
1	1	1	-	C	690459-1	HOLDER, SHEAR (FRONT) 10
1	1	1	-	C	462006-1	SHEAR, FLOAT (FRONT) 9
1	1	1	-	C	662183-8	ANVIL 8
1	1	1	-	C	2-455889-0	DEPRESSOR, SHEAR (FRONT) 5
1	1	1	-	B	1-238011-0	SPACER, BLOCK CRIMPER 4
1	1	1	-	C	7-683454-8	CRIMPER, INSULATION 3
1	1	1	-	C	455888-7	SPACER, CRIMPER 2
1	1	1	-	C	456402-1	CRIMPER, WIRE 1

THIS DRAWING IS A CONTROLLED DOCUMENT.

THIS DRAWING IS UNPUBLISHED. RELEASED FOR PUBLICATION BY AMP INCORPORATED. ALL RIGHTS RESERVED. © COPYRIGHT 1998 AMP 1756 REV 3-92