

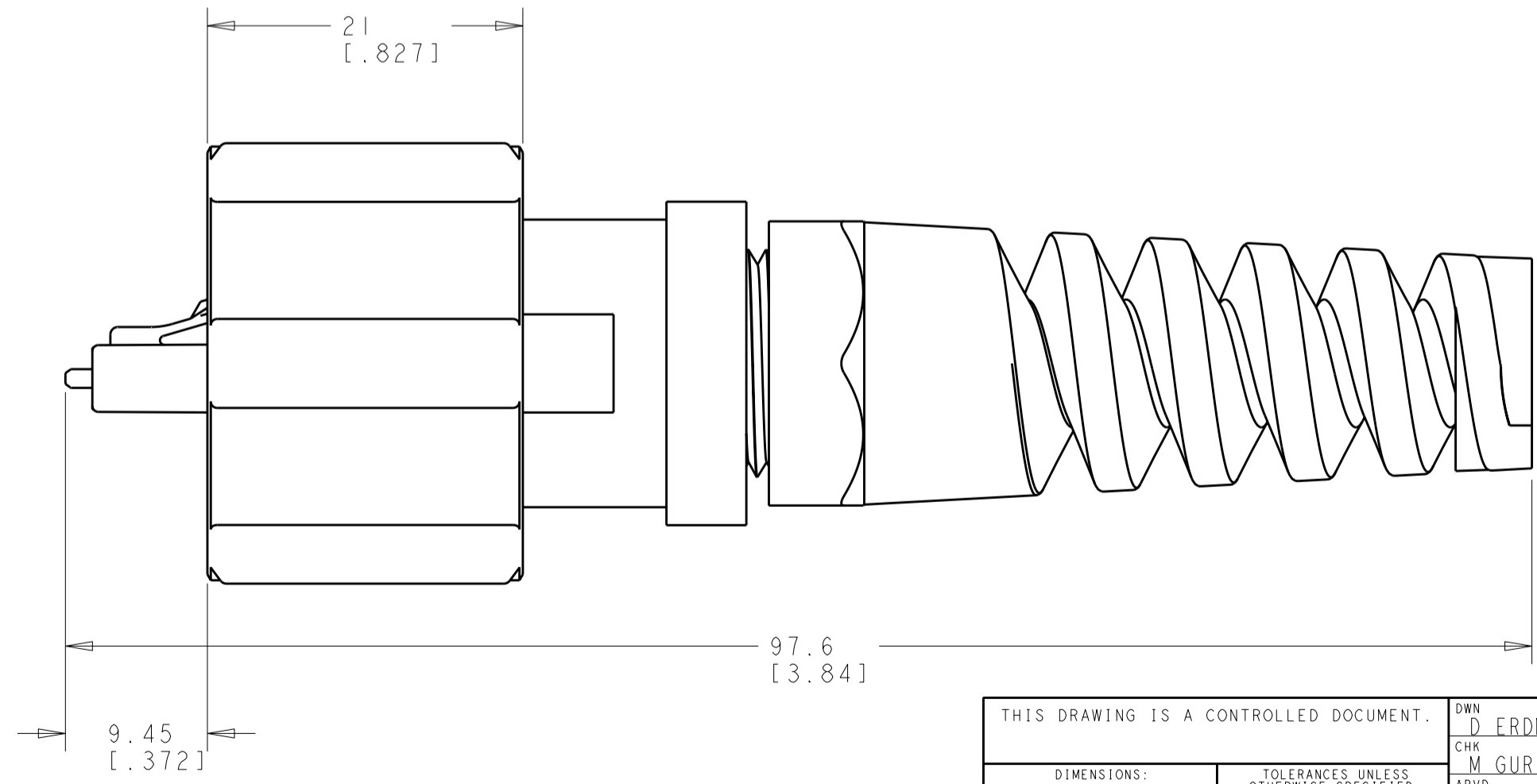
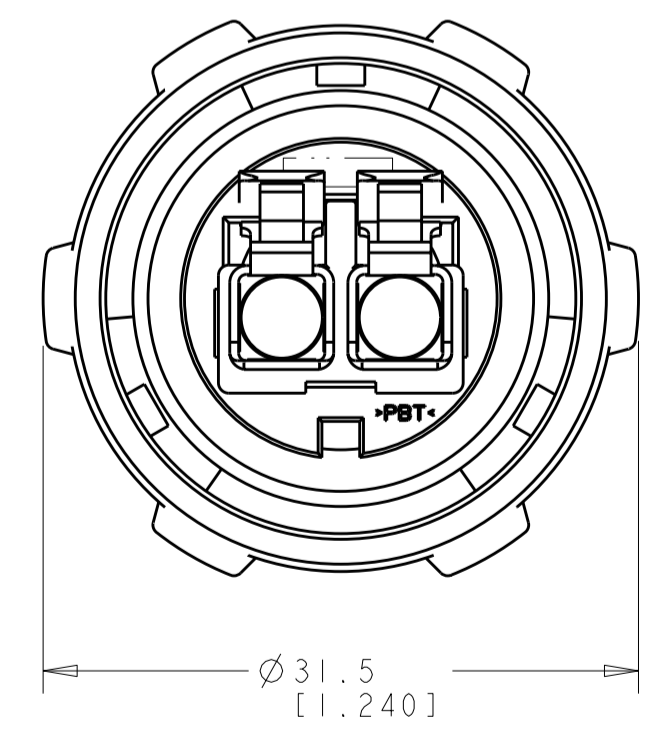
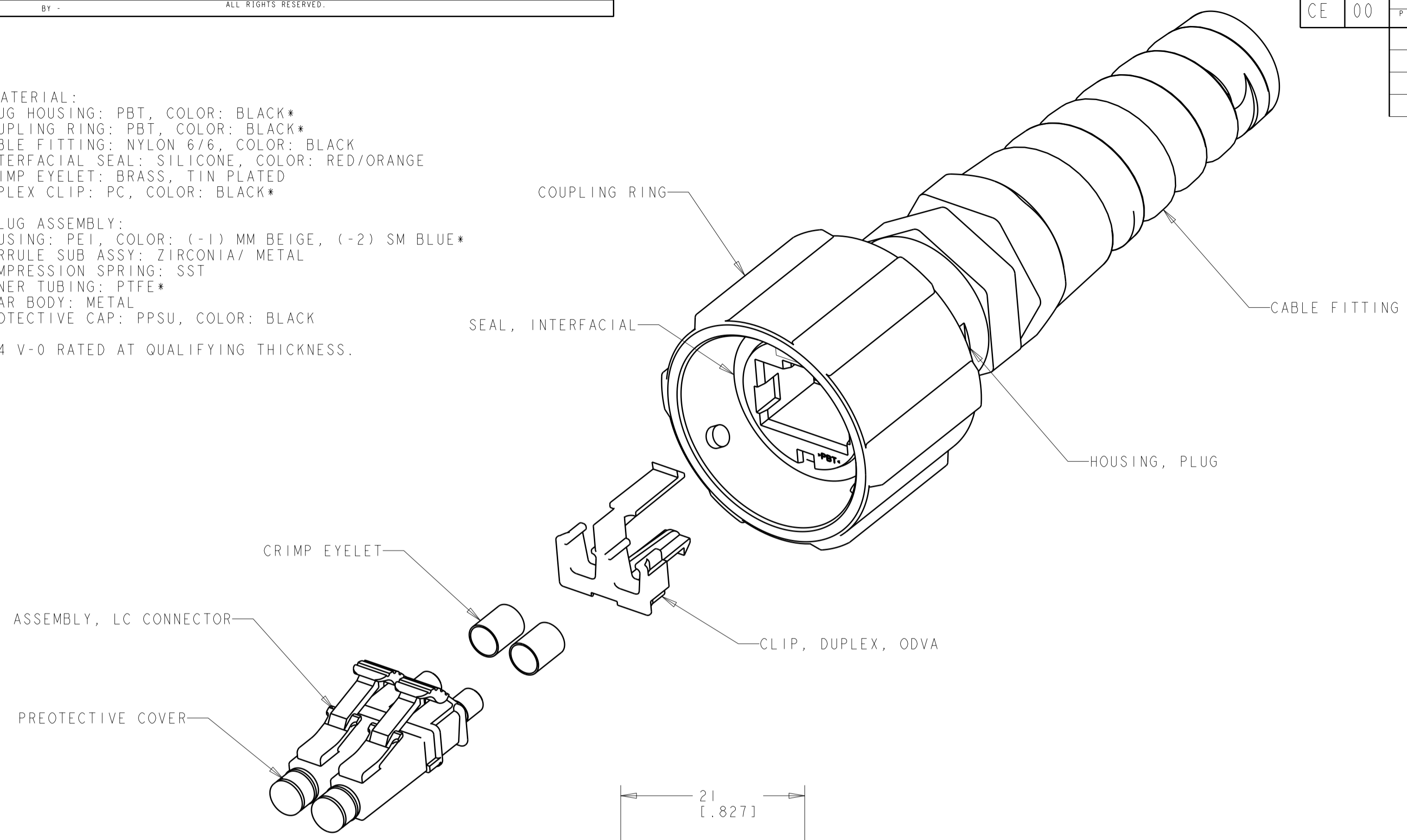
THIS DRAWING IS UNPUBLISHED. RELEASED FOR PUBLICATION 20  
 © COPYRIGHT 20 BY - ALL RIGHTS RESERVED.

LOC	DIST	REVISIONS			
P	LTR	DESCRIPTION	DATE	DWN	APVD
CE	00				
	AI	REVISED PER ECO-11-005027	15MAR2011	RK	HMR

**MATERIAL:**  
 PLUG HOUSING: PBT, COLOR: BLACK\*  
 COUPLING RING: PBT, COLOR: BLACK\*  
 CABLE FITTING: NYLON 6/6, COLOR: BLACK  
 INTERFACIAL SEAL: SILICONE, COLOR: RED/ORANGE  
 CRIMP EYELET: BRASS, TIN PLATED  
 DUPLEX CLIP: PC, COLOR: BLACK\*

**LC PLUG ASSEMBLY:**  
 HOUSING: PET, COLOR: (-1) MM BEIGE, (-2) SM BLUE\*  
 FERRULE SUB ASSY: ZIRCONIA/ METAL  
 COMPRESSION SPRING: SST  
 INNER TUBING: PTFE\*  
 REAR BODY: METAL  
 PROTECTIVE CAP: PPSU, COLOR: BLACK

\*UL 94 V-0 RATED AT QUALIFYING THICKNESS.



SINGLEMODE	1828618-2
MULTIMODE	1828618-1
DESCRIPTION	PART NO

THIS DRAWING IS A CONTROLLED DOCUMENT.		DWN D. ERDMAN 19MAY2005	<b>STE</b> TE Connectivity	
DIMENSIONS: mm [IN]		CHK M. GURRERI 19MAY2005		
TOLERANCES UNLESS OTHERWISE SPECIFIED:		APVD D. BAECHEL 19MAY2005	NAME KIT, PLUG, INDUSTRIAL DUPLEX LC ODVA	
0 PLC	±0.1	PRODUCT SPEC	SIZE	CAGE CODE
1 PLC	±0.1	APPLICATION SPEC	A2	00779
2 PLC	±0.1	WEIGHT	DRAWING NO C-1828618	
3 PLC	±	CUSTOMER DRAWING	SCALE	5:2
4 PLC	±		SHEET	1 OF 1
ANGLES	±		REV	AI
FINISH	±			