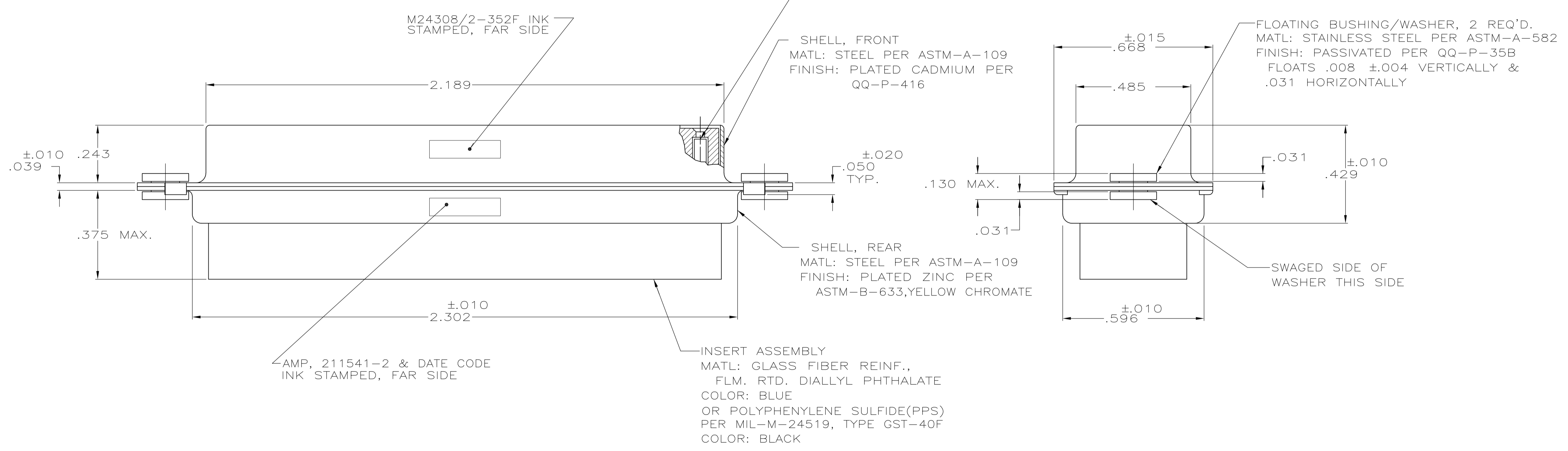


SOCKET CONTACT, SIZE 22, 104 REQ'D.
 BODY-MATL: BERYLLIUM COPPER PER QQ-C-530
 FINISH: PLATED GOLD .000050 MIN. THK.
 PER MIL-G-45204 OVER NICKEL .000050 MIN.
 THK. PER QQ-N-290
 HOOD-MAT'L: STAINLESS STEEL PER QQ-S-766
 FINISH: PASSIVATED PER QQ-P-35B



1. THIS RECEPTACLE WILL MATE WITH ANY 104 POSN., SIZE 6 PLUG IN AMPLIMITE SERIES.
2. MAXIMUM WIRE INSULATION TO BE USED WITH THIS RECEPTACLE IS .054 DIA.
3. SST RETENTION CLIPS ARE INCLUDED IN INSERTS.

- ④ PACKAGE STAMPED M24308/2-492F & AMP P/N 211541-1
- ⑤ PACKAGE STAMPED M24308/2-352F & AMP P/N 211541-2
- ⑥ PACKAGE STAMPED M24308/2-363F & AMP P/N 211541-3
- ⑦ AMP P/N 204351-1; MIL P/N 57-354, INCLUDED IN KIT
- ⑧ AMP P/N 91067-1; MIL P/N M81969/1-04
- ⑨ CONNECTOR SUPPLIED WITHOUT CONTACTS; SHOWN FOR ILLUSTRATION ONLY.
- ⑩ UL/CSA DESIGNATION STAMPED IN THIS AREA, OPTIONAL

SUPSD BY 204546-2 & 91067-1	SAME AS -1 EXCEPT: ⑥ ⑦ ⑧	211541-3
	SAME AS -1 EXCEPT: ⑤ ⑦	211541-2
	AS SHOWN	211541-1
	DESCRIPTION	PART NO

THIS DRAWING IS A CONTROLLED DOCUMENT.		DIN DERDMAN 7/17/85	Tyco Electronics Corporation Harrisburg, PA 17105-3608	
DIMENSIONS: INCHES		CHK R.GRZYBOWSKI 9-20-85	NAME L. ROPIER	
TOLERANCES UNLESS OTHERWISE SPECIFIED:		APVD L. ROPIER	PRODUCT SPEC	
0 PLC ± -		APPLICATION SPEC		
1 PLC ± -		SIZE		
2 PLC ± -		CASE CODE		
3 PLC ± -		DRAWING NO		
4 PLC ± -		RESTRICTED TO		
ANGLES ± 0°30'		A1 00779 C=211541		
MATERIAL SEE CALLOUT	FINISH SEE CALLOUT	WEIGHT	CUSTOMER DRAWING	
		SCALE	NTS	SHEET 1 OF 1