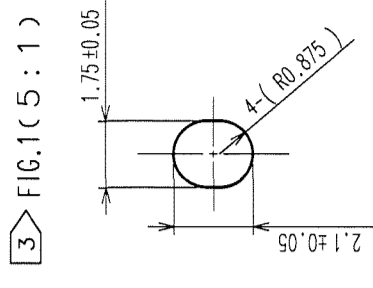
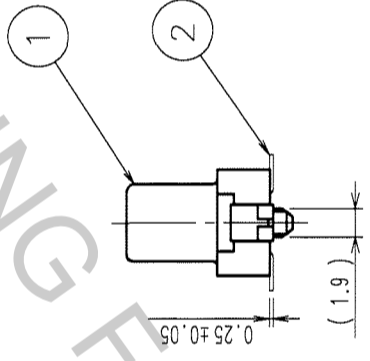
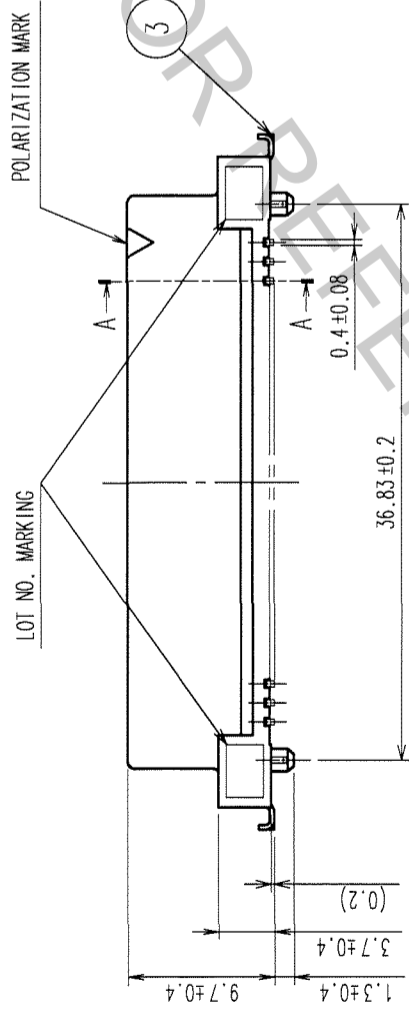
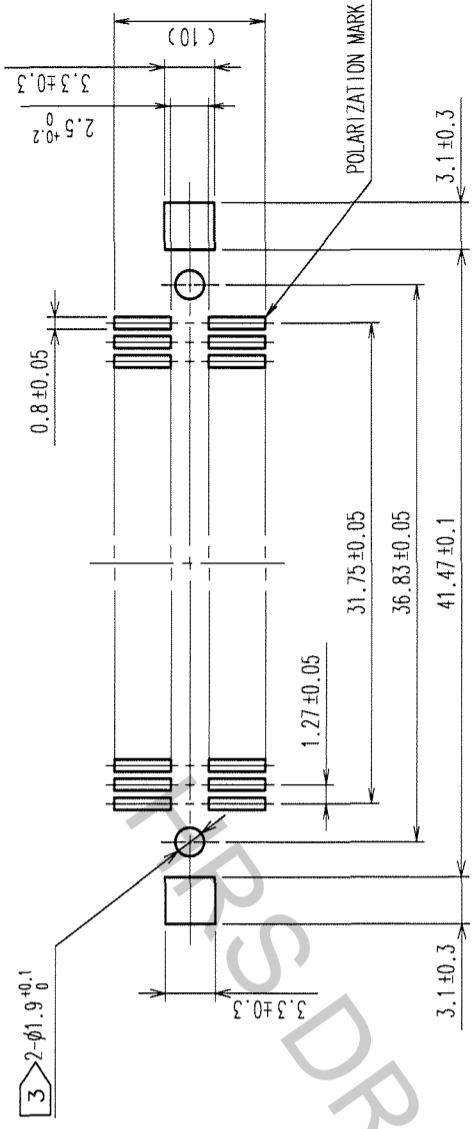
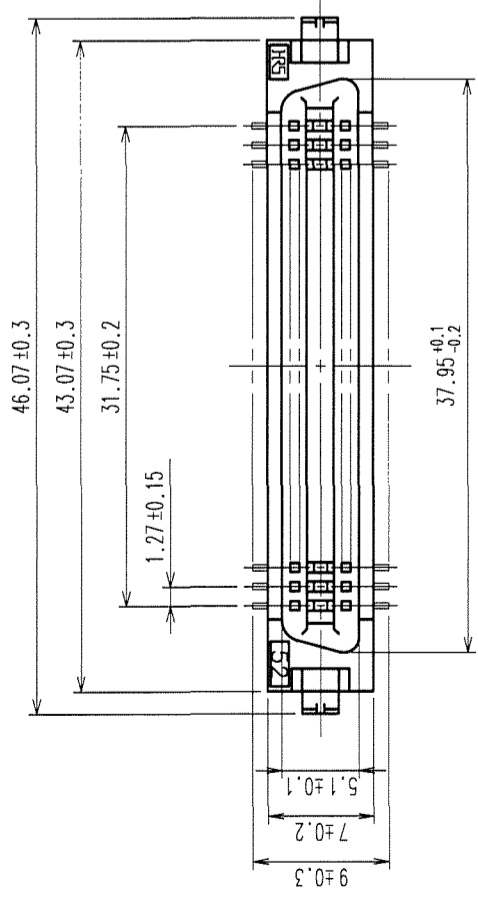
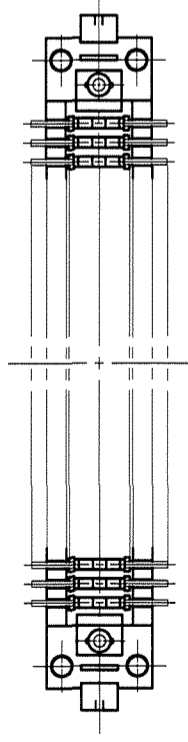


RECOMMENDED LAND PATTERN DIMENSION OF PCB (MOUNTING SIDE)



- NOTES
- 1 LEAD CO-PLANARITY SHALL BE 0.15 MAX.
 - 2 THE DIMENSIONS IN PARENTHESES ARE FOR REFERENCE.
 - 3 IN CASE OF THE AUTOMATED MOUNTING, RECOMMENDED HOLE DIAMETER OF BOSS IS SHOWN IN FIG.1.



3	BRASS	TIN-PLATING	2	PHOSPHOR BRONZE	CONTACT AREA: GOLD 0.2μm min.
1	PPS	LIGHT BROWN (UL94V-0)			LEAD AREA: TIN-PLATING 2μm min.
NO.	MATERIAL	FINISH, REMARKS	NO.	MATERIAL	UNDER PLATING: NICKEL 1.5μm min.
CODE NO. (OLD)	CL				FINISH, REMARKS
DRAWN		DESIGNED		CHECKED	
A. SUZUKAWA		Mitsumura		H. Okawa	
06.02.08		06.02.13		06.02.13	
SCALE		PART NO.		RELEASED	
2 : 1		EDC3-082417-21		FX2-52S-1.27SVL(71)	
UNITS		CODE NO.		CL572-2154-0-71	
MM		HIROSE ELECTRIC CO., LTD			

TO
PCK

