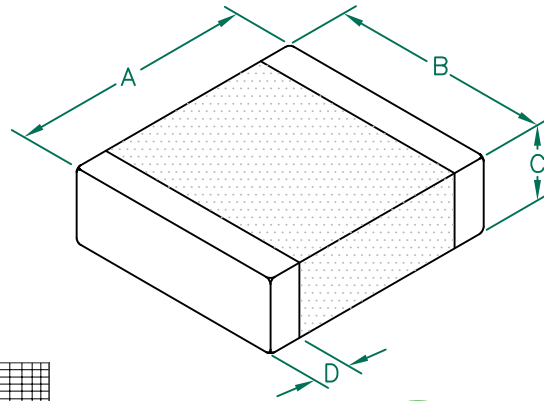


HI2220P551R-10

UNCONTROLLED DOCUMENT

PHYSICAL DIMENSIONS:

A	5.59 [.220]	\pm 0.51 [.020]
B	5.08 [.200]	\pm 0.25 [.010]
C	1.97 [.078]	\pm 0.25 [.010]
D	0.76 [.030]	\pm 0.25 [.010]



ELECTRICAL CHARACTERISTICS:

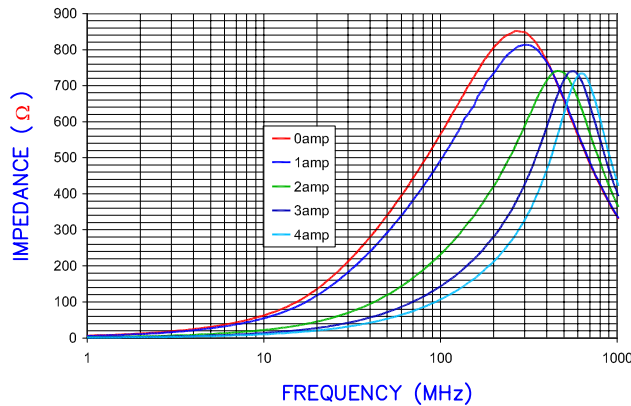
Z @ 100 MHz (Ω)		DCR (Ω)	Rated Current
Nominal	550		
Minimum	440		
Maximum	660	0.035	4000 mA

MIN. Z FROM 50MHz TO 1 GHz = 270 Ω .

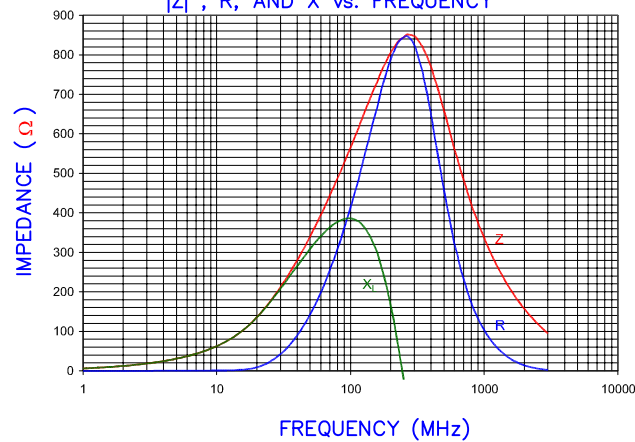
NOTES: UNLESS OTHERWISE SPECIFIED

1. TAPED AND REELED per CURRENT EIA SPECIFICATIONS 13" REELS, 2,000 PCS/REEL.
2. TERMINATION FINISH IS 100% TIN.
3. COMPONENTS SHOULD BE ADEQUATELY PREHEATED BEFORE SOLDERING.
4. OPERATEING TEMPERATURE TEMP: $-40^{\circ}\text{C} \sim +125^{\circ}\text{C}$ (INCLUDING SELF-HEATING)

Z vs FREQUENCY
IMPEDANCE UNDER DC BIAS

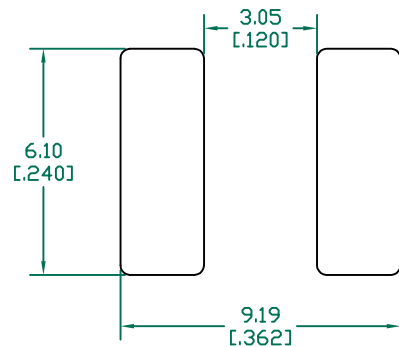


|Z|, R, AND X vs. FREQUENCY



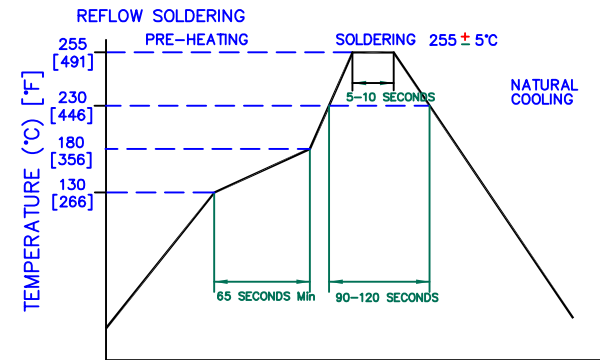
— Z — R — X_L

LAND PATTERNS FOR REFLOW SOLDERING



(For wave soldering, add 0.762 [.030] to this dimension.)

RECOMMENDED SOLDERING CONDITIONS



DIMENSIONS ARE IN mm [INCHES].				This print is the property of Laird Tech. and is loaned in confidence subject to return upon request and with the understanding that no copies shall be made without the written consent of Laird Tech. All rights to design or invention are reserved.			
				Laird			
PROJECT/PART NUMBER:				REV	PART TYPE:	DRAWN BY:	
C ADD OPERATING TEMPERATURE UPDATE LAIRD LOGO AND REFLOW CURVE 08/05/13 QU				HI2220P551R-10	C	CO-FIRE	TMB
B UPDATE LOGO ADD ROHS SYMBOL		01/23/08	JRK	DATE: 03/26/04		SCALE: NTS	
A ORIGINAL DRAFT		03/26/04	TMB	CAD #		SHEET:	
REV DESCRIPTION		DATE	INT	HI2220P551R-10-C		TOOL # -	
						2 of 2	