



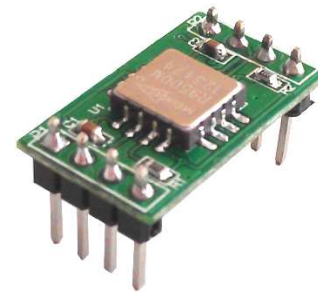
MXR9150MZ-B Prototyping Board

MXR9150MZ-B

GENERAL DESCRIPTION

The MXR9150MZ-B provides a convenient and easy way to evaluate and prototype with the MXR9150MZ tri axes accelerometer. The accelerometer and passive components are SMT mounted on the board. Each pin of the MXR9150MZ SMT device is brought out to standard 0.10 inch on center connections on the sides of the prototyping board. Wires can either be soldered directly to the prototyping board or the DIP pins can be used with widely available breadboard kits.

For complete performance specifications of the MXR9150MZ refer to the MXR9150MZ datasheet.

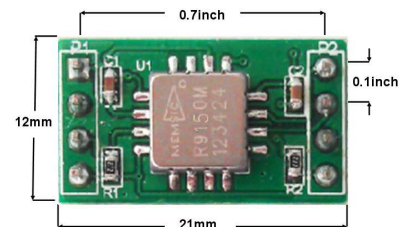


MXR9150MZ-B

PIN DESCRIPTION

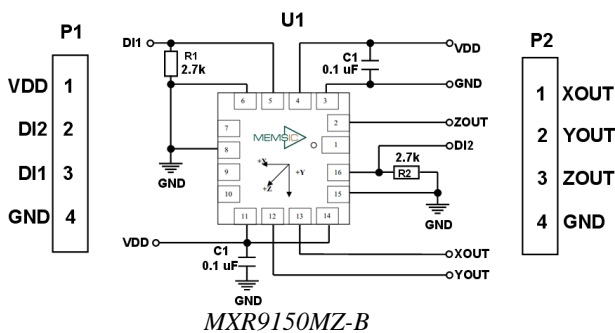
Pin	Name	Description
P1-1	VDD	Supply Voltage 2.7 to 3.6 V
P1-2	DI2	Power Down Pin
P1-3	DI1	Power Down Pin
P1-4	GND	Ground
P2-1	XOUT	X Channel Output
P2-2	YOUT	Y Channel Output
P2-3	ZOUT	Z Channel Output
P2-4	GND	Ground

PCB CONNECTION DIMENSIONS



MXR9150MZ-B

SCHEMATIC OF THE MXR9150MZ-B



MXR9150MZ-B

Information furnished by MEMSIC is believed to be accurate and reliable. However, no responsibility is assumed by MEMSIC for its use, nor for any infringements of patents or other rights of third parties, which may result from its use. No license is granted by implication or otherwise under any patent or patent rights of MEMSIC.

©MEMSIC, Inc.
 One Technology Drive, Suite 325, Andover, MA, 01810, USA
 Tel: +1 978 738 0900 Fax: +1 978 738 0196
 www.memsic.com