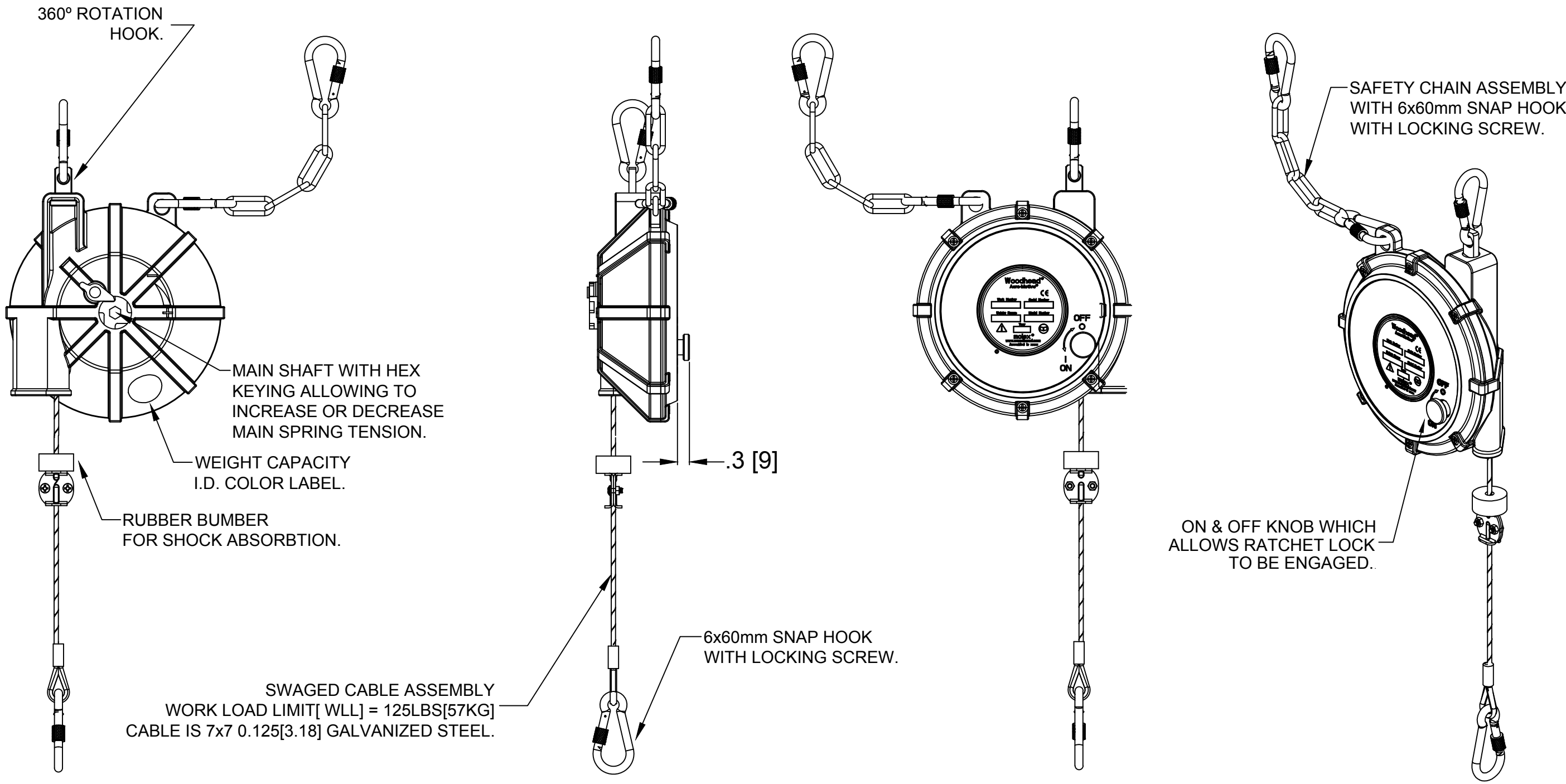


10 9 8 7 6 5 4 3 2 1

F
E
D
C
B



360° ROTATION HOOK.

MAIN SHAFT WITH HEX KEYING ALLOWING TO INCREASE OR DECREASE MAIN SPRING TENSION.

WEIGHT CAPACITY I.D. COLOR LABEL.

RUBBER BUMPER FOR SHOCK ABSORPTION.

SWAGED CABLE ASSEMBLY WORK LOAD LIMIT [WLL] = 125LBS[57KG] CABLE IS 7x7 0.125[3.18] GALVANIZED STEEL.

6x60mm SNAP HOOK WITH LOCKING SCREW.

ON & OFF KNOB WHICH ALLOWS RATCHET LOCK TO BE ENGAGED.

SAFETY CHAIN ASSEMBLY WITH 6x60mm SNAP HOOK WITH LOCKING SCREW.

F
E
D
C
B

- NOTES:
- BALANCERS ARE 100% INSPECTED & PRE-TENSIONED AT FACTORY.
 - HOUSINGS ARE MADE FROM ABS CHEMICAL RESISTANT TO MEET HARSH INDUSTRIAL ENVIRONMENTS. COLOR IS BLUE RAL5017.
 - ALWAYS READ INSTRUCTIONS MANUAL BEFORE USING BALANCERS.
 - BALANCERS ARE NOT TO BE USED AS RETRACTORS THEIR MAIN PURPOSE BEING TO BALANCE A LOAD AND NOT TO RETRACT ONE.
 - OVERALL DIMENSIONS ARE FOR REFERENCE ONLY.

RELEASE TO SALES EC NO: IPG2012-0310 DRWN: MCHOJECK CHKD: --- APPR: DTITUS 3/6/12 2010/03/11	DESCRIPTION REV	QUALITY SYMBOLS	GENERAL TOLERANCES (UNLESS SPECIFIED)		DIMENSION STYLE		SCALE	DESIGN UNITS	THIRD ANGLE PROJECTION			
		$\nabla=0$ $\sphericalangle=0$	mm	INCH	IN/MM		NTS	INCH				
			4 PLACES	±-	±-	DRAWN BY	DATE	TITLE				
			3 PLACES	±-	±-	RH	2009/03/03	"AB" BALANCERS STD & W/ RATCHET LOCK 1-11 LBS WEIGHT RANGE MOLEX INCORPORATED				
			2 PLACES	±-	±-	CHECKED BY	DATE					
	1 PLACE	±-	±-	DT	2009/03/03	APPROVED BY		DATE	DOCUMENT NO.			
	ANGULAR ±1°			DTITUS	2010/03/11	MATERIAL NO.		SD-130237-001		SHEET NO.		
	DRAFT WHERE APPLICABLE MUST REMAIN WITHIN DIMENSIONS			SEE TABLE		SIZE		THIS DRAWING CONTAINS INFORMATION THAT IS PROPRIETARY TO MOLEX INCORPORATED AND SHOULD NOT BE USED WITHOUT WRITTEN PERMISSION				
					B		1 OF 3					

10 9 8 7 6 5 4 3 2 1

A

10 9 8 7 6 5 4 3 2 1

F

E

D

C

B

A

F

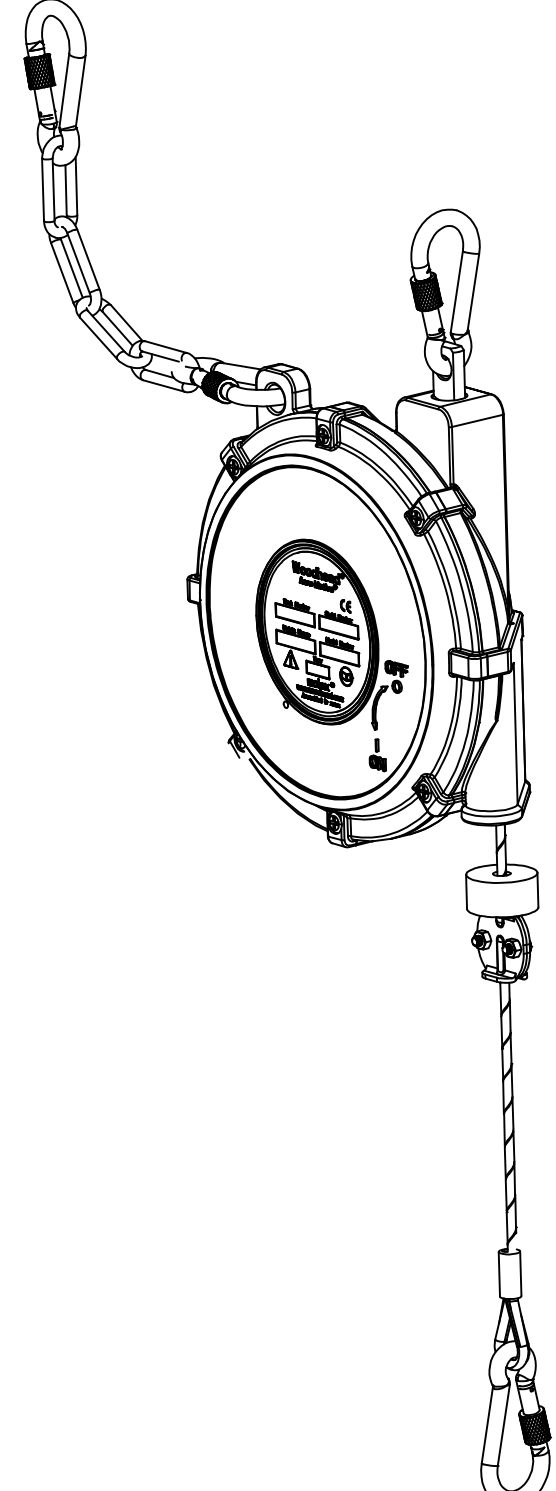
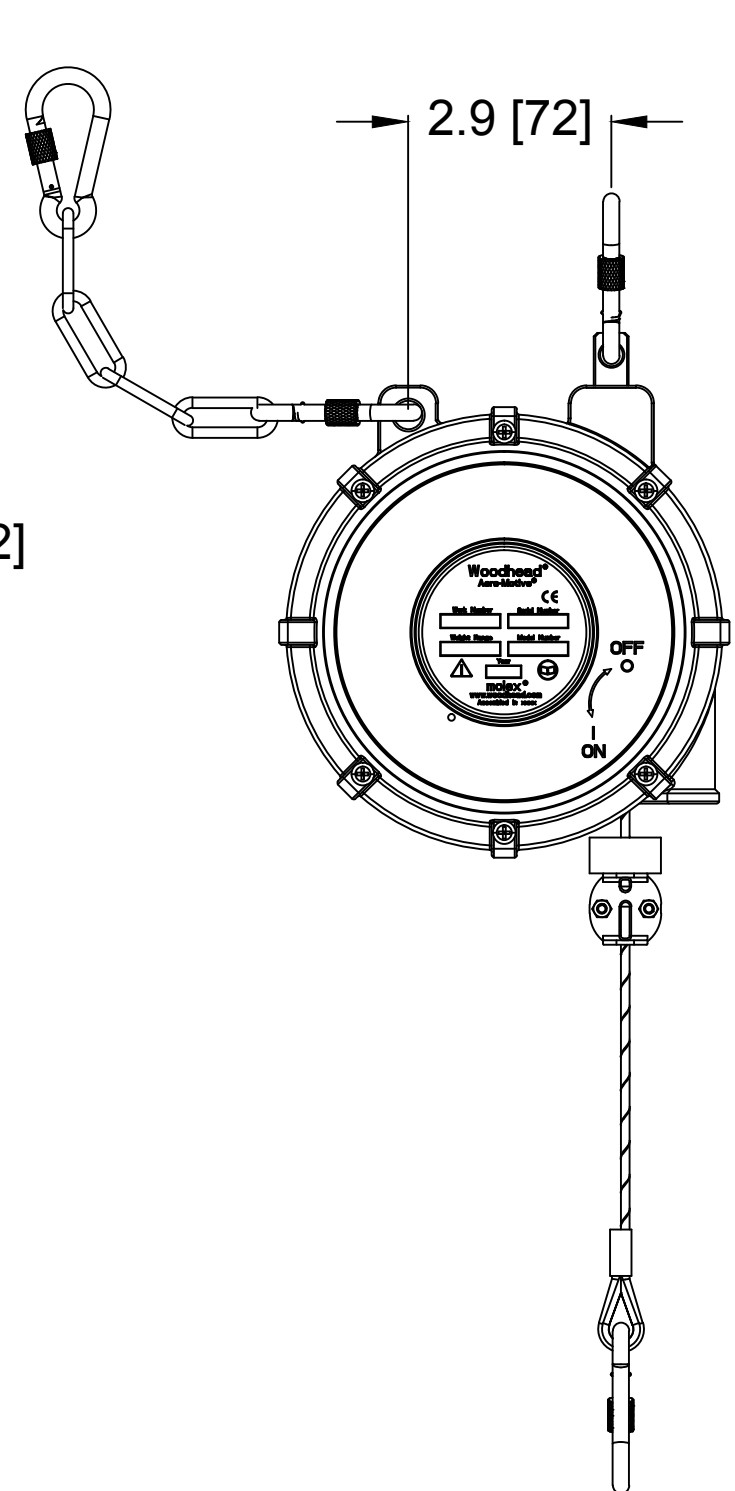
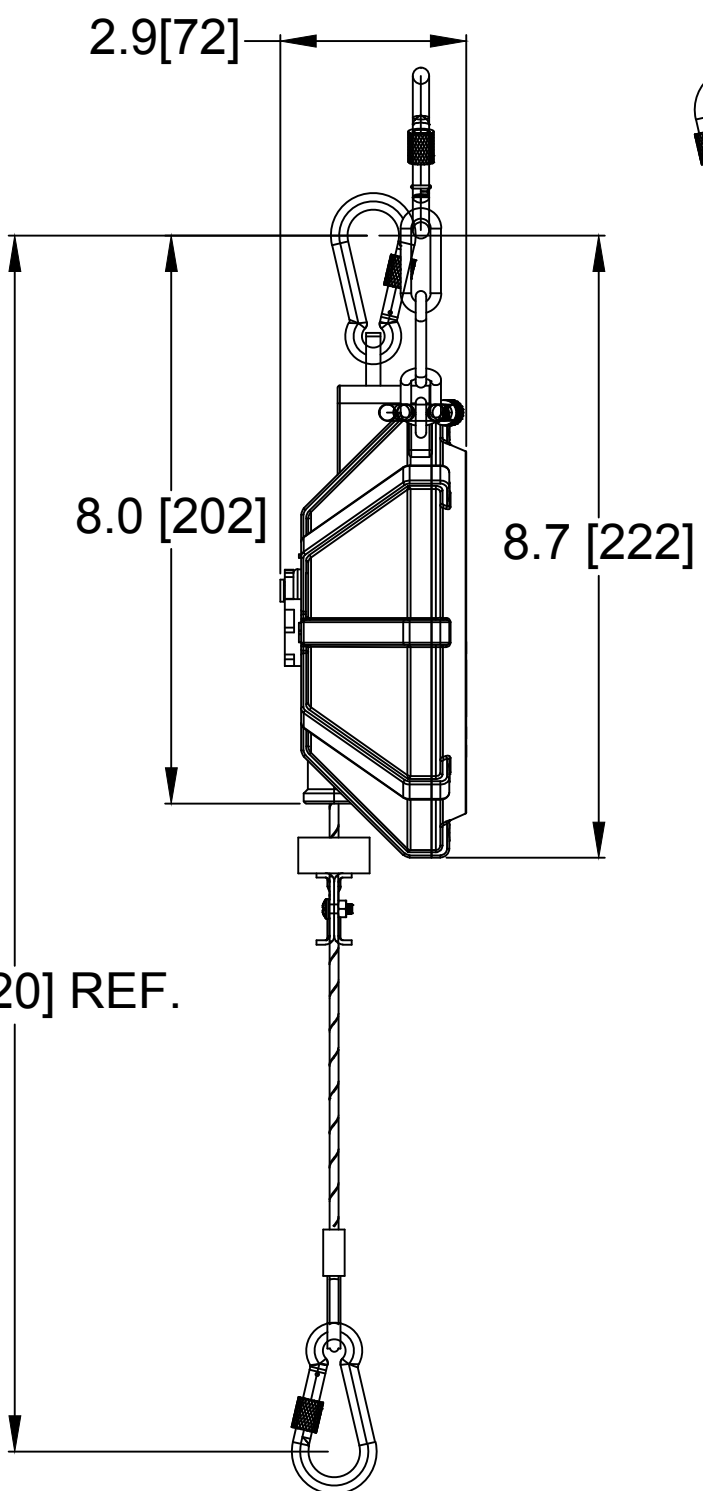
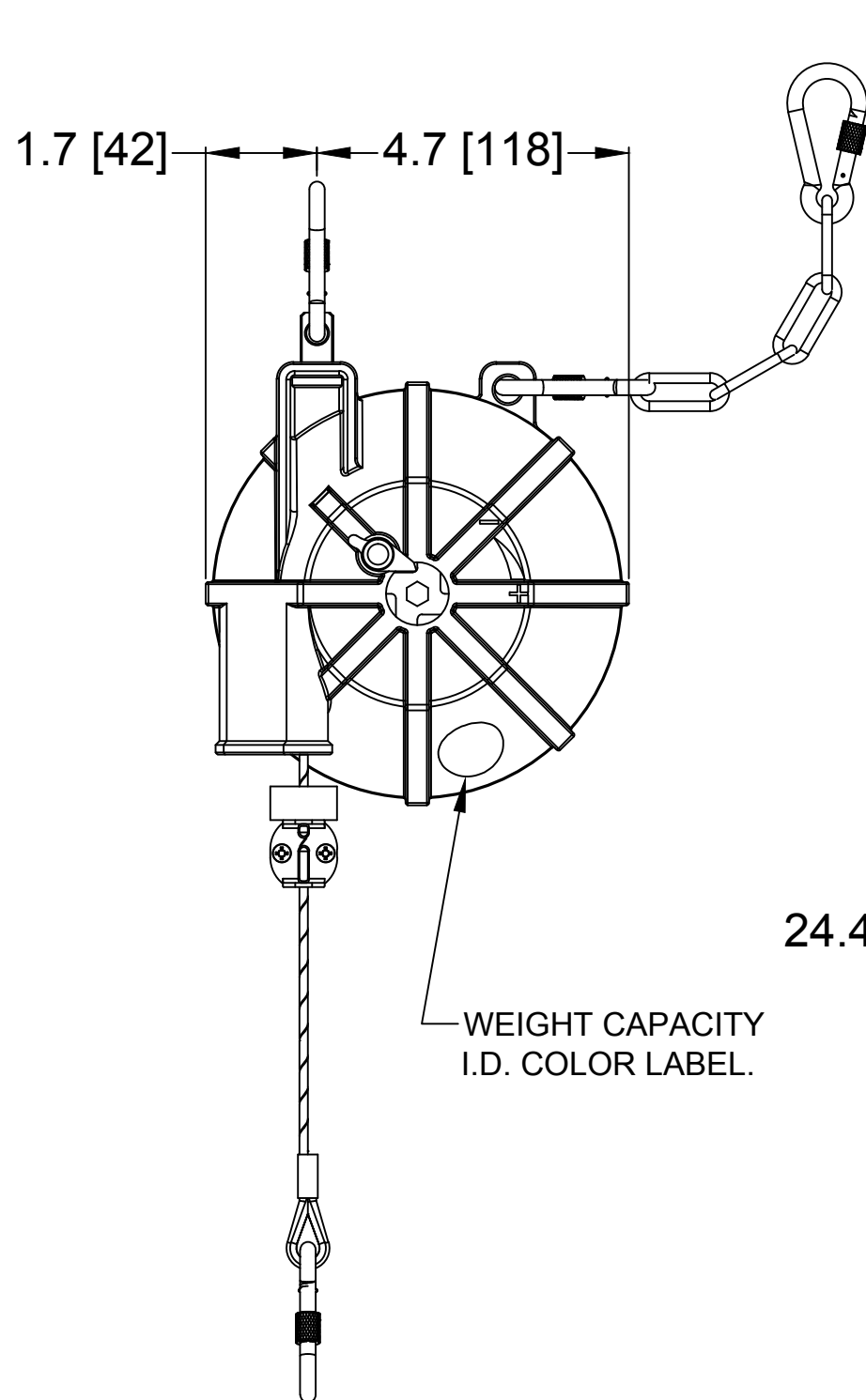
E

D

C

B

A



10 9 8 7 6 5 4 3 2 1

RELEASE TO SALES EC NO: IPG2012-0310 DRWN: MCHOJECK CHKD: --- APPR: DTITUS 2010/03/11	3/6/12 2010/03/11 DESCRIPTION REV	QUALITY SYMBOLS	GENERAL TOLERANCES (UNLESS SPECIFIED)		DIMENSION STYLE		SCALE	DESIGN UNITS	THIRD ANGLE PROJECTION			
		$\nabla=0$ $\nabla C=0$	mm	INCH	IN/MM	NTS	INCH	TITLE "AB" BALANCERS STD & W/ RATCHET LOCK 1-11 LBS WEIGHT RANGE				
		4 PLACES ±- ±- 3 PLACES ±- ±- 2 PLACES ±- ±- 1 PLACE ±- ±- ANGULAR ±1°	DRAWN BY DATE		DATE		MOLEX INCORPORATED DOCUMENT NO. SD-130237-001 SHEET NO. 2 OF 3					
		DRAFT WHERE APPLICABLE MUST REMAIN WITHIN DIMENSIONS	SEE TABLE		APPROVED BY DATE							THIS DRAWING CONTAINS INFORMATION THAT IS PROPRIETARY TO MOLEX INCORPORATED AND SHOULD NOT BE USED WITHOUT WRITTEN PERMISSION
			SIZE B		DTITUS 2010/03/11							

FINISHED ASSEMBLY:

MATERIAL NUMBER	ENGINEERING NUMBER	COLOR ID LABEL	CABLE TRAVEL	WEIGHT RANGE		DESCRIPTION:
				LBS	KG	
1302370001	AB4	YELLOW	5.3FT[1.6M]	1.5-4.0	0.7-1.8	AB BALANCER NON-RATCHET
1302370002	AB8	RED	5.3FT[1.6M]	4.0-8.0	1.8-3.6	AB BALANCER NON-RATCHET
1302370003	AB11	WHITE	5.3FT[1.6M]	8.0-11.0	3.6-5.0	AB BALANCER NON-RATCHET
1302370004	AB4RL	YELLOW	5.3FT[1.6M]	1.5-4.0	0.7-1.8	AB BALANCER W/RATCHET LOCK
1302370005	AB8RL	RED	5.3FT[1.6M]	4.0-8.0	1.8-3.6	AB BALANCER W/RATCHET LOCK
1302370006	AB11RL	WHITE	5.3FT[1.6M]	8.0-11.0	3.6-5.0	AB BALANCER W/RATCHET LOCK

RELEASE TO SALES EC NO: IPG2012-0310 DRWN: MCHOJECK CHKD: --- APPR: DTITUS 3/6/12 2010/03/11	DESCRIPTION REV	QUALITY SYMBOLS	GENERAL TOLERANCES (UNLESS SPECIFIED)		DIMENSION STYLE		SCALE	DESIGN UNITS	THIRD ANGLE PROJECTION			
		▽=0 ∇=0	mm	INCH	IN/MM		NTS	INCH	"AB" BALANCERS STD & W/ RATCHET LOCK 1-11 LBS WEIGHT RANGE			
			4 PLACES	±-	±-	DRAWN BY	DATE	TITLE				
			3 PLACES	±-	±-	RH	2009/03/03	MOLEX INCORPORATED				
			2 PLACES	±-	±-	CHECKED BY	DATE					
1 PLACE	±-	±-	DT	2009/03/03	APPROVED BY DATE DTITUS 2010/03/11		DOCUMENT NO.	SHEET NO.				
ANGULAR ±1°			DRAFT WHERE APPLICABLE MUST REMAIN WITHIN DIMENSIONS		MATERIAL NO. SEE TABLE		SD-130237-001		3 OF 3			
		SIZE B	THIS DRAWING CONTAINS INFORMATION THAT IS PROPRIETARY TO MOLEX INCORPORATED AND SHOULD NOT BE USED WITHOUT WRITTEN PERMISSION									