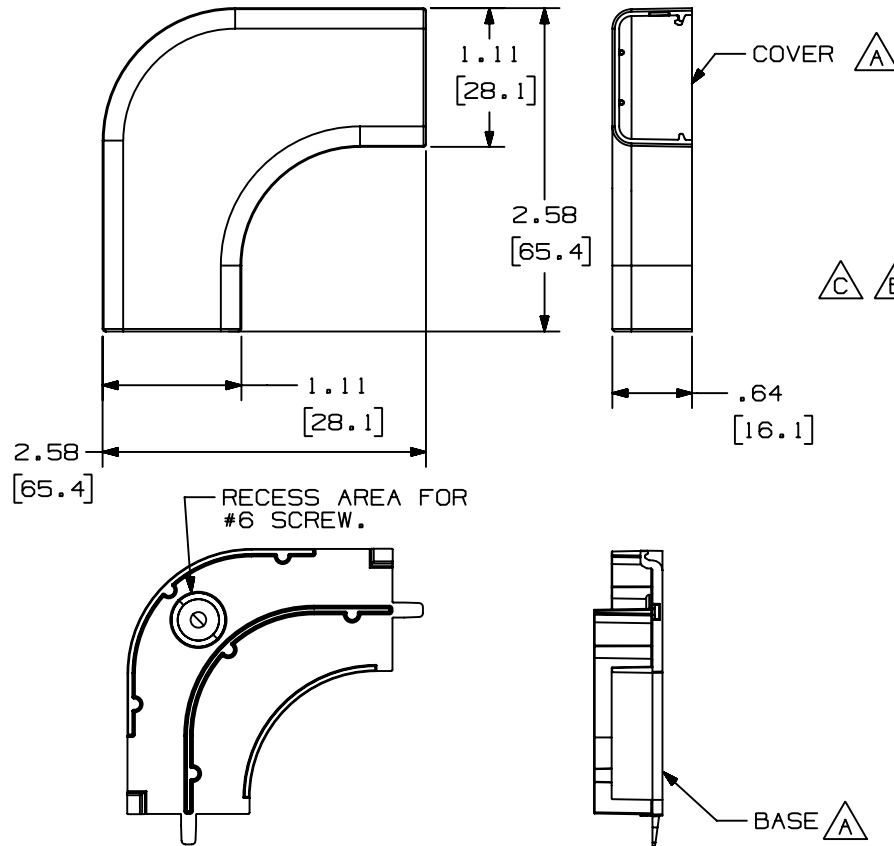
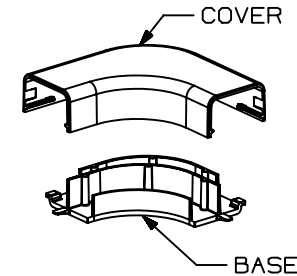


THIS COPY IS PROVIDED ON A RESTRICTED BASIS AND IS NOT TO BE USED IN ANY WAY DETRIMENTAL TO THE INTERESTS OF PANDUIT CORP.



PANDUIT PART NO.	WEIGHT
RAFX5	3.8 LB/100 PCS (1749 g/100 PCS)

- NOTES:
- SEE CURRENT CATALOG FOR ADDITIONAL PART NUMBER SUFFIXES TO INDICATE COLOR AND OR PACKAGE QUANTITY.
 - THIS PRODUCT IS INTENDED TO BE USED WITH PANDUIT TYPE LD5 AND LDP5 RACEWAYS.
 - NOMINAL WALL THICKNESSES:
BASE = .080 [2.0]
COVER = .055 [1.4]
 - THIS PRODUCT IS FEATURED WITH THE TIA/EIA COMPLIANT BEND RADIUS.
 - DIMENSIONS IN PARENTHESIS ARE IN METRIC.



CAD FILENAME/LAYERS D35012BE_LD_RAFX5_02.PRT

PANDUIT CORP. TINLEY PARK, ILLINOIS
 RIGHT ANGLE FITTING BASE AND COVER (RAFX5)
 CUSTOMER DRAWING

UNLESS OTHERWISE SPECIFIED, DIMENSIONAL TOLERANCES ARE:
 (.X) ± (.XXX) ±.015 [.4]
 (.XX) ±.03 [.8] ANGLES ±

UNLESS OTHERWISE SPECIFIED, ALL DIMENSIONS ARE GIVEN IN INCHES, THIRD ANGLE PROJECTION.

REV	DATE	BY	CHK	DESCRIPTION	ECN	CHK	CUST	SUP
2	03-17-04	JHEP	RGRO	C. REMOVED CD5 FROM NOTE 2	35012-05	RGRO	RGRO	
1	03-29-99	DW	HIW	B. REVISED NOTE 2 WAS LD2P5 RACEWAY A. REVISED PICTURES	35012-05	HIW	HIW	
R	11-10-95	DW	CEF	RELEASED TO PRODUCTION	35012-05	CEF	CEF	

DRAWN BY DW	MAT'L: PVC	SCALE NONE
DATE 11-10-95		DRAWING NO. 35012-05
CHECKED BY CEF		DWG SIZE A