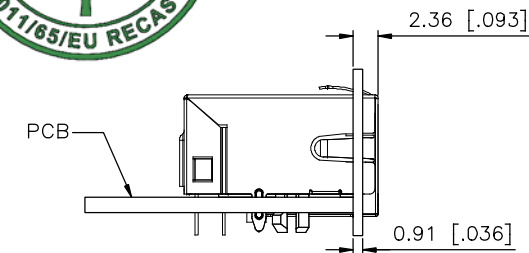
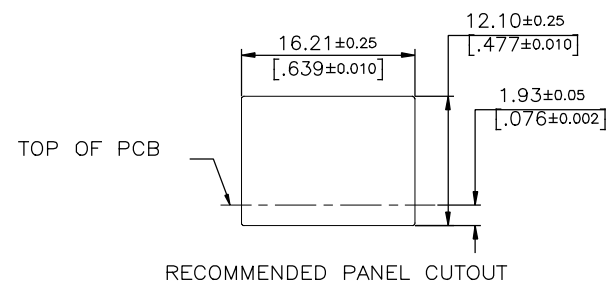
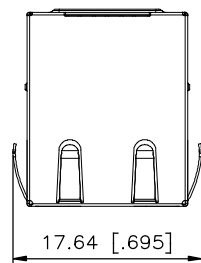
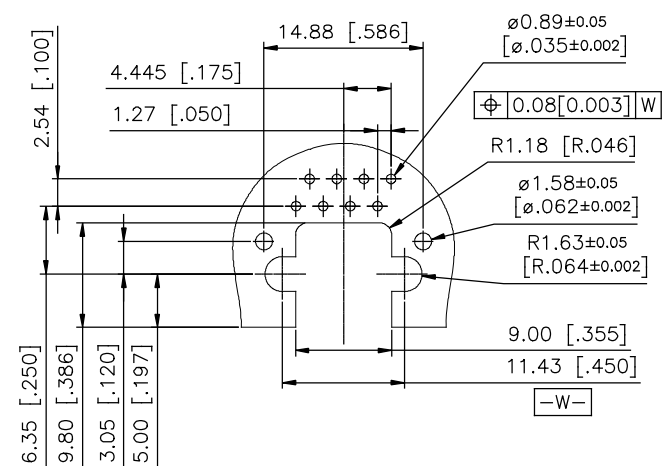
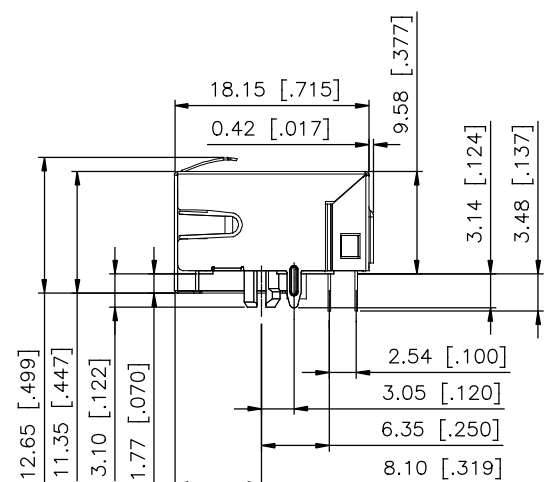
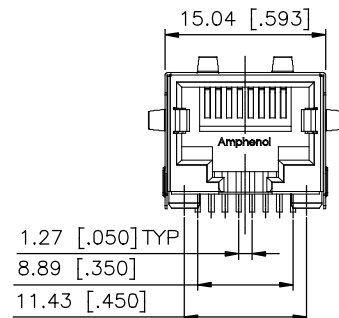


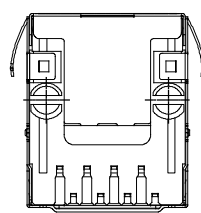
REVISIONS			
REV	DESCRIPTION, ECN, EAR NO.	DATE	APP'D
A	PROPOSAL	SEP 03/09	L.CHAN
B	FIX THE ERROR FOR PEGS LENGTH	FEB 10/17	L.CHAN



SIDE VIEW SHOWING JACK RELATION TO PANEL



RECCMENDED P.C.B. LAYOUT TOLERANCE: ±0.05MM[0.002INCH]



NOTES:

- MATERIALS:
- HOUSING: HIGH TEMPERATURE THERMOPLASTIC. FLAMMABILITY RATING UL 94V-0. COLOUR: BLACK
 - CONTACTS: PHOSPHOR BRONZE. PLATING: GOLD PLATING ON MATING SURFACES. SEE PART NUMBER SYSTEM OPTION. 50 u" [1.27 MICRONS] MIN. NICKEL UNDERPLATE. 100 u" [2.54 MICRONS] MIN. MATTE TIN ON SOLDER AREA.
 - SHELL: BRASS. PLATING NICKEL

AMPHENOL PART NUMBER: RJULE-4X181-01

- CONTACT PLATING CODE
- 0 = GOLD FLASH
 - 1 = 15u"
 - 2 = 30u"
 - 3 = 50u"

UNLESS SPECIFIED OTHERWISE	DRAWN MT.Chen	DATE JUN 30/08	Amphenol Canada Corp. www.amphenolcanada.com
PRIMARY UNITS MILLIMETER	CHECKED LAWRENCE C	JUN 30/08	
SECONDARY INCH	M.E. APP'D		TITLE
REFERENCE IN PARENTHESES	Q.A. APP'D		RJ ULTRA LOW PROFILE MODULAR JACK 8 POSITION, 8 CONTACTS, WITH SHIELD. -RoHS COMPLIANT
GENERAL TOLERANCES	DWG APPR.		DWG. NO.
1 DECIMAL PLACE ±0.38	ENG. REL. NO.		P-RJULE-4X181-01
2 DECIMAL PLACES ±0.25	REF.		REV B
3 DECIMAL PLACES ±0.25	THIRD ANGLE PROJECTION	DO NOT SCALE DRAWING	CODE ID NO. 03554 DWG SIZE: C SCALE: N/A SHEET 1 OF 1
ANGULAR DEGREES ±1.0°			