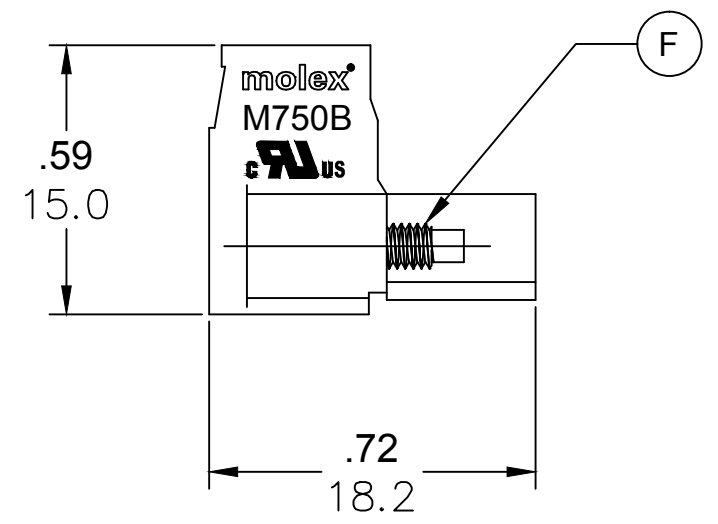
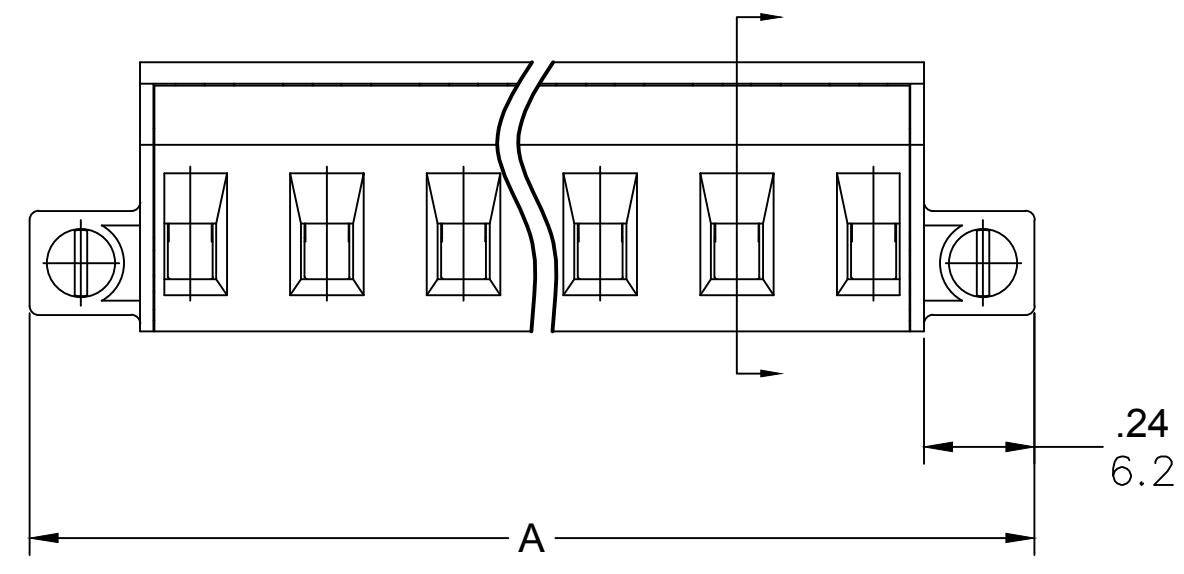
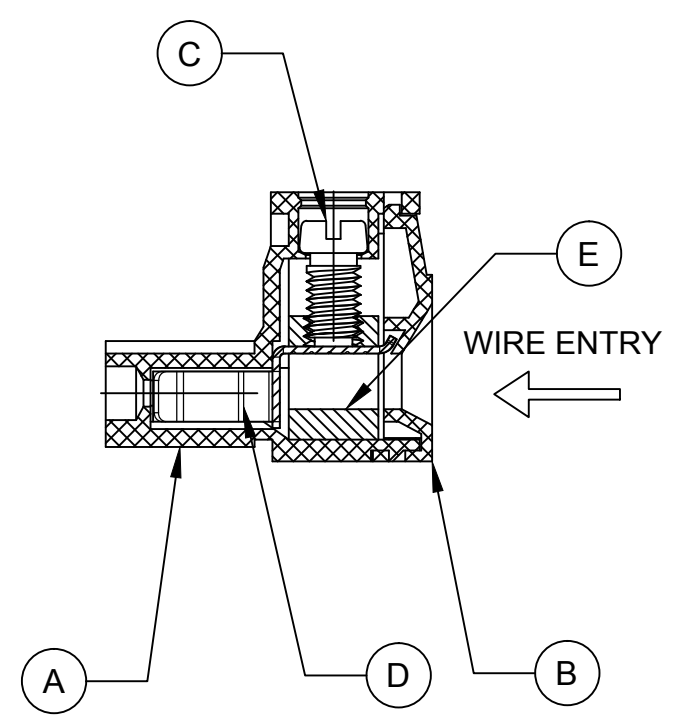
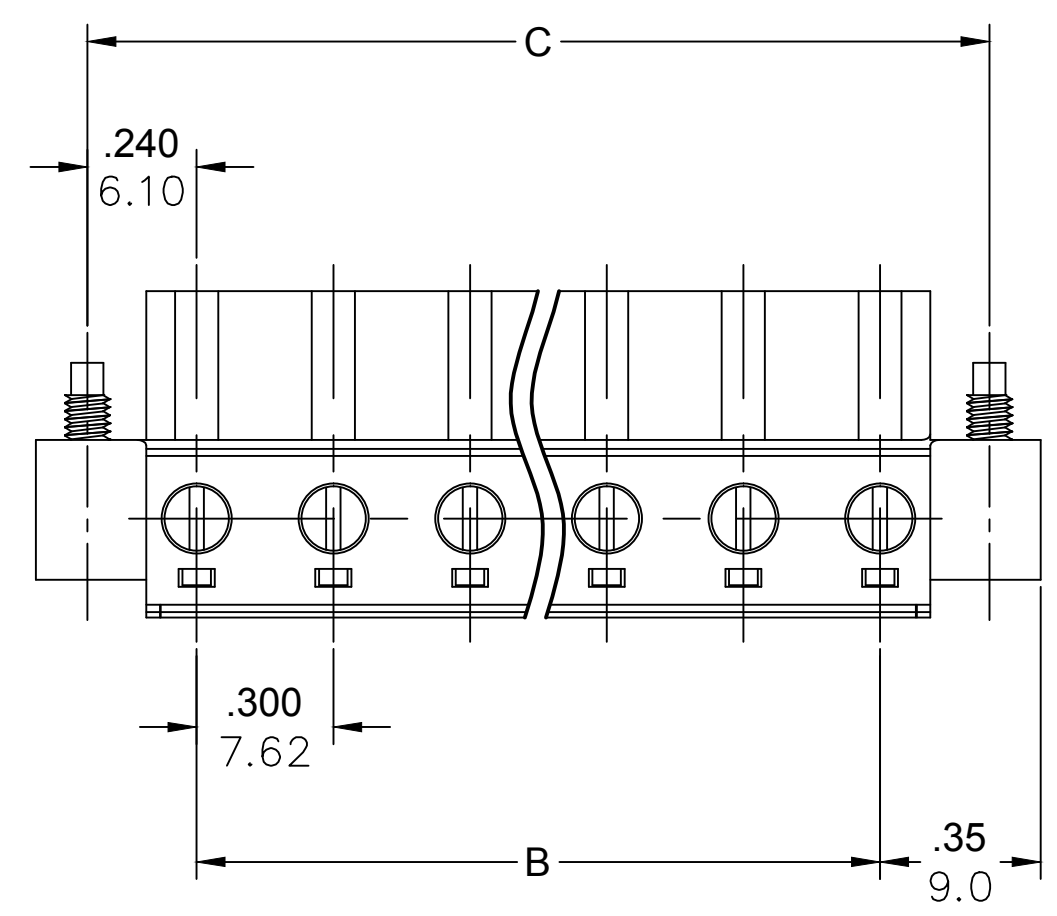
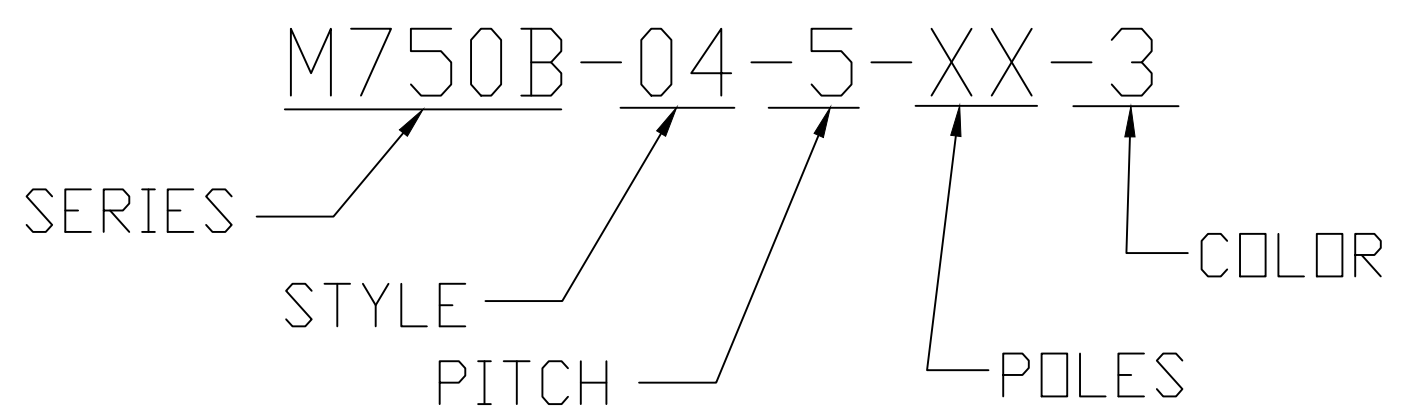


PART NUMBER DATA									
CIRCUITS	PART NUMBER	ENGINEERING NUMBER	COLOR	A IN mm		B IN mm		C IN mm	
2	397050002	M750B-04-5-02-3	GREEN	1.01	25.5	.300	7.62	.780	19.81
3	397050003	M750B-04-5-03-3	GREEN	1.31	33.2	.600	15.23	1.080	27.43
4	397050004	M750B-04-5-04-3	GREEN	1.61	40.8	.900	22.85	1.380	35.04
5	397050005	M750B-04-5-05-3	GREEN	1.91	48.4	1.200	30.47	1.680	42.66
6	397050006	M750B-04-5-06-3	GREEN	2.21	56.0	1.500	38.09	1.980	50.28
7	397050007	M750B-04-5-07-3	GREEN	2.50	63.6	1.799	45.70	2.279	57.90
8	397050008	M750B-04-5-08-3	GREEN	2.80	71.2	2.099	53.32	2.579	65.51
9	397050009	M750B-04-5-09-3	GREEN	3.10	78.9	2.399	60.94	2.879	73.13
10	397050010	M750B-04-5-10-3	GREEN	3.40	86.5	2.699	68.56	3.179	80.75
11	397050011	M750B-04-5-11-3	GREEN	3.70	94.1	2.999	76.17	3.479	88.37
12	397050012	M750B-04-5-12-3	GREEN	4.00	101.7	3.299	83.79	3.779	95.98

REF. LAST 2 DIGITS OF PART NUMBER EQUALS NUMBER OF POLES



ENGINEERING NUMBER LEGEND



CONTACT FACTORY FOR OPTIONAL COLORS

SPECIFICATIONS

- MATERIAL:
 - A. BODY: PA66.UL94 V-0
 - B. COVER: PA66.UL94 V-0
 - C. TERMINAL SCREW: M3.0, STEEL.ZINC PLATED
 - D. CONTACT: COPPER ALLOY. TIN PLATED
 - E. CAGE: BRASS NICKEL PLATED
 - F. MOUNTING SCREW: M2.5, STEEL. ZINC PLATED
- WIRE SIZE: 30 - 12AWG.
- RATING: 15A AT 51-150V, 10A AT 151 TO 300V
- SCREW TORQUE: 5.0 IN. LBS.
- WIRE STRIP LENGTH: .20 (5.0mm)
- OPERATING TEMPERATURE: -40°C TO +105°C
- MATES WITH HEADER SERIES: 39725
- DIMS SHOWN ARE FOR REFERENCE ONLY

TOLERANCES			
MM	TOL	INCH	TOL
0-6	±0.25	0-.24	±.010
>6-30	±0.40	.24-1.18	±.016
>30-120	±0.50	1.18-4.76	±.020
>120	±0.80	>4.76	±.031

REVISED DOC TOL EC NO.: ICG2017-0881 DRWN: ABENJAMI 4/5/17 CHKD: --- APPR: BRUPERT 2014/10/16 A1	QUALITY SYMBOL ▽=0 ▽=0	GENERAL TOLERANCES (UNLESS SPECIFIED) <table border="1"> <tr> <th></th> <th>mm</th> <th>INCH</th> </tr> <tr> <td>4 PLACES</td> <td>±---</td> <td>±---</td> </tr> <tr> <td>3 PLACES</td> <td>±---</td> <td>±---</td> </tr> <tr> <td>2 PLACES</td> <td>±---</td> <td>±---</td> </tr> <tr> <td>1 PLACE</td> <td>±---</td> <td>±---</td> </tr> </table>		mm	INCH	4 PLACES	±---	±---	3 PLACES	±---	±---	2 PLACES	±---	±---	1 PLACE	±---	±---	DIMENSION STYLE IN/MM DRAWN BY: RSTONE DATE: 2014/01/22 CHECKED BY: G. FARNS DATE: --- APPROVED BY: JFMURPHY DATE: 2014/10/16	SCALE: --- DESIGN UNITS: METRIC THIRD ANGLE PROJECTION	TITLE: 7.62MM EURO PLUG RIGHT ANGLE WITH MOUNTING ENDS MOLEX INCORPORATED	SHEET NO.: 1 OF 1
		mm	INCH																		
	4 PLACES	±---	±---																		
	3 PLACES	±---	±---																		
2 PLACES	±---	±---																			
1 PLACE	±---	±---																			
DRAFT WHERE APPLICABLE MUST REMAIN WITHIN DIMENSIONS		MATERIAL NO.: SEE CHART	DOCUMENT NO.: SD-39705-001	THIS DRAWING CONTAINS INFORMATION THAT IS PROPRIETARY TO MOLEX INCORPORATED AND SHOULD NOT BE USED WITHOUT WRITTEN PERMISSION																	
		SIZE: C																			