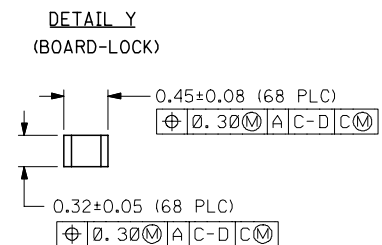
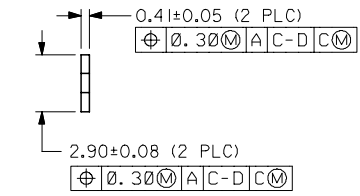
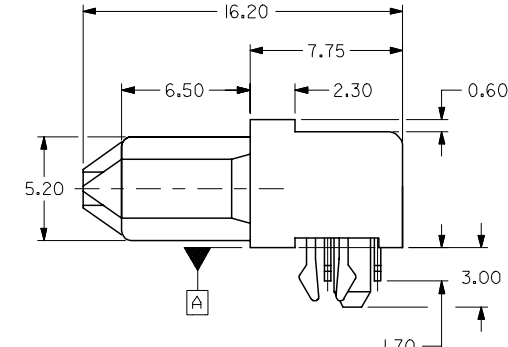
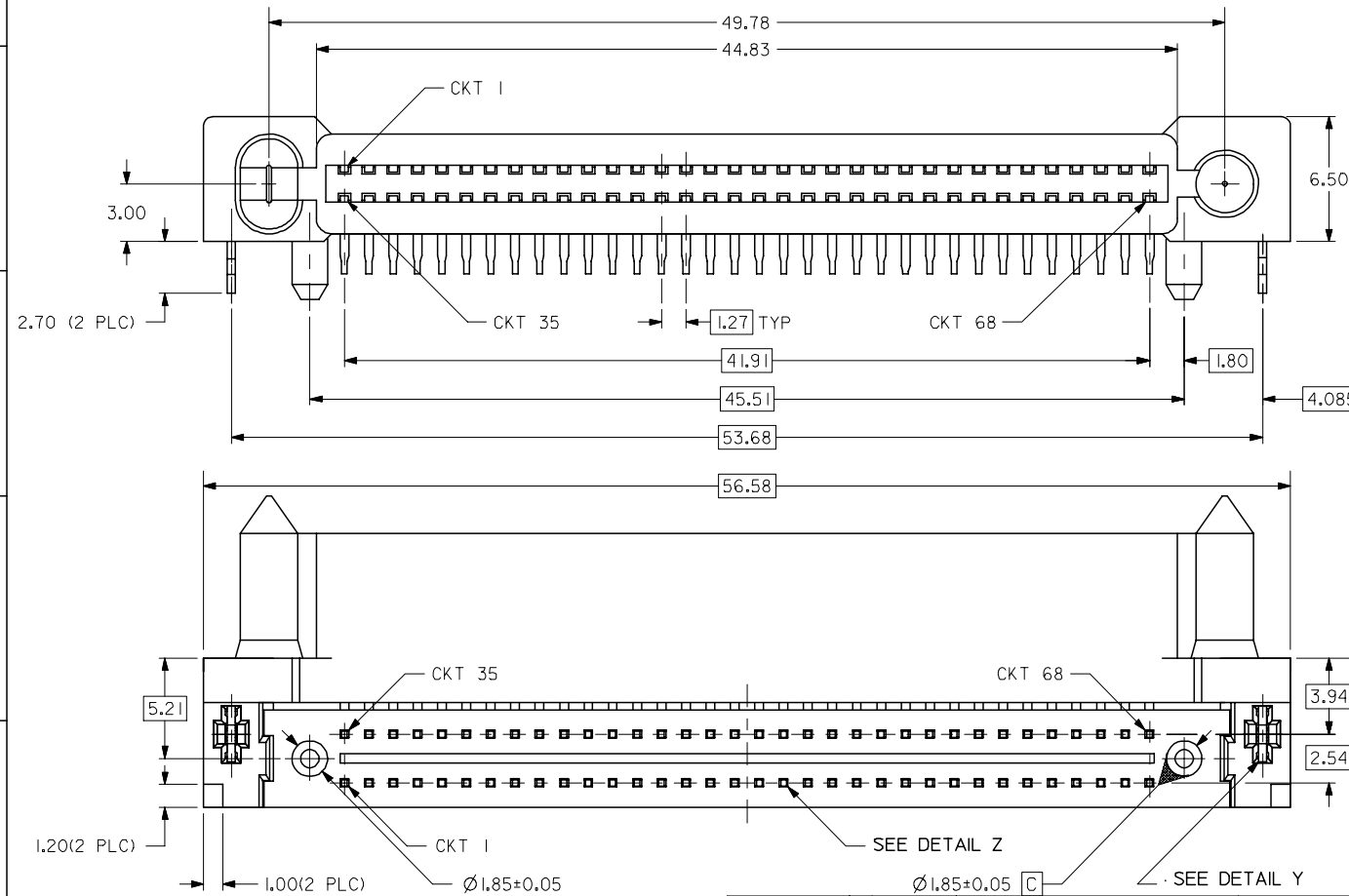
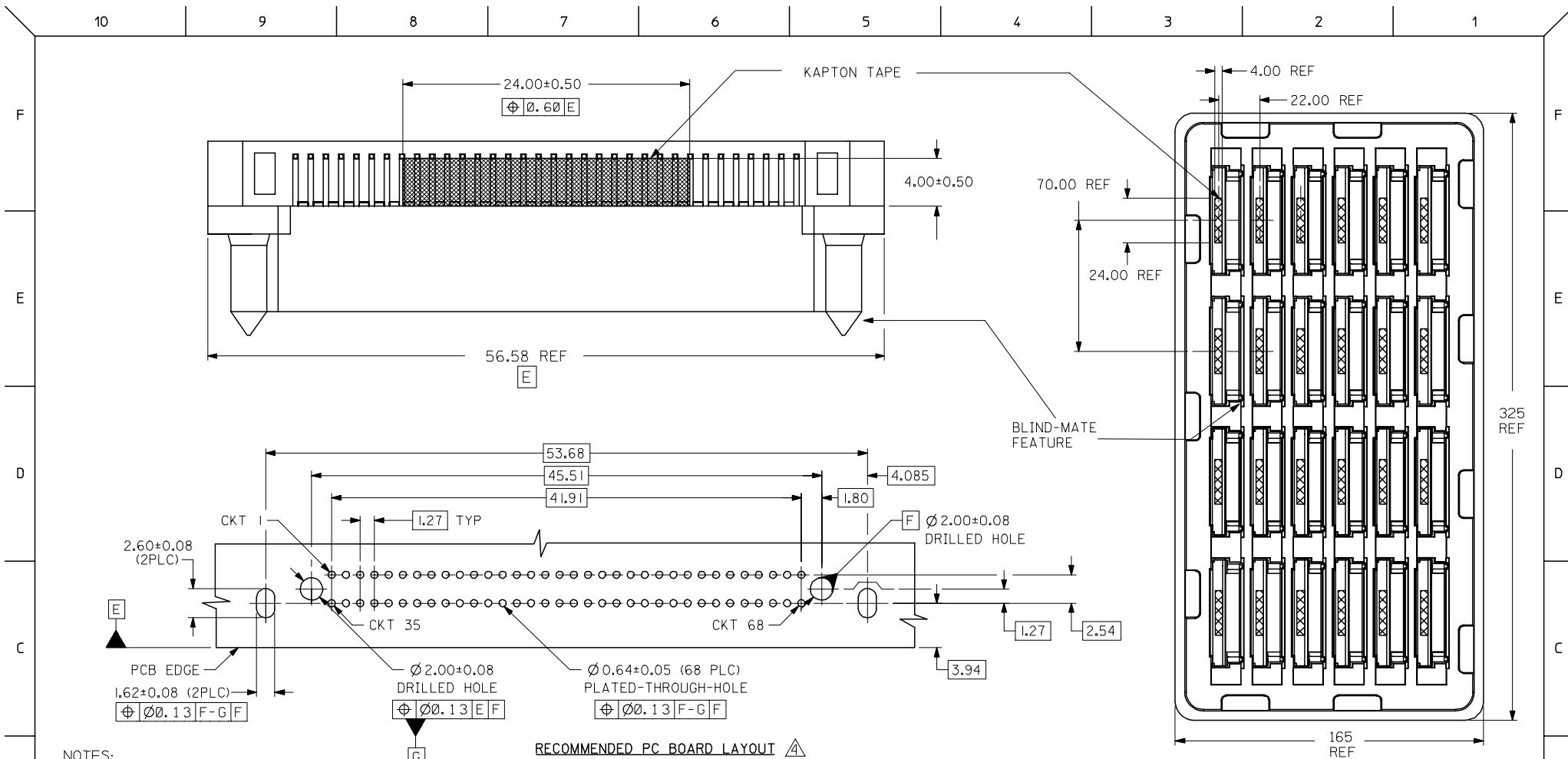


PART STATUS	PART NO. (PACKED IN CARTON)	CKT SIZE	CONTACTS LUBRICATION	WITH KAPTON TAPE
TOOLED	87537-8813	68	NIL	NO
TOOLED	87537-8819	68	YES	NO
TOOLED	87537-8822	68	YES	YES



<p>UPDATE NOTE1 EC NO: S2007-0852 2007/04/03 DRWN:YKH CHKD:GTAN 2007/04/03 APPR:KCLING 2007/04/03</p>	QUALITY SYMBOLS	GENERAL TOLERANCES (UNLESS SPECIFIED)	DIMENSION STYLE	SCALE	DESIGN UNITS	THIRD ANGLE PROJECTION
	▽=0	mm	MM ONLY	NTS	METRIC	☉
	▽=0	INCH				
		ANGULAR ± 3 °				
	DESCRIPTION	DRAFT WHERE APPLICABLE MUST REMAIN WITHIN DIMENSIONS	SIZE	MATERIAL NO.		DOCUMENT NO.
C1			A3	SEE TABLE		SD-87537-002

DRAWN BY		DATE		TITLE	
PTL IM		1999/01/05		RECEPTACLE, CONNECTOR	
CHECKED BY		DATE		127MM CTR, 68 CKTS, BTB	
KCLING		1999/01/14		BLIND-MATE, 3MM HT., R/A	
APPROVED BY		DATE		MOLEX MOLEX INCORPORATED	
SKT0H		1999/01/15		SHEET NO.	
				1 OF 2	



NOTES:  
RECOMMENDED PC BOARD LAYOUT COMPONENT SIDE

- 1 MATERIALS:  
 HOUSING - LCP, GLASS FILLED, UL 94V-0, COLOR BLACK  
 TERMINAL - COPPER ALLOY
- 2 PLATING:  
 0.76µM MIN. GOLD IN SELECTIVE CONTACT AREA AND  
 2.54µM MIN. TIN IN SOLDER TAIL AREA,  
 BOTH OVER 1.27µM MIN. NICKEL
- 3 PRODUCT SPECIFICATION: PS-87537-0001
- 4 RECOMMENDED P.C. BOARD THICKNESS IS 1.20±0.05MM
- 5 CIRCUIT #58 TO BE RECESSED 0.50MM BEHIND  
 ALL OTHER CONTACTS
- 6 PART IS LUBRICATED AT TERMINAL CONTACTS TO  
 MINIMIZE UNMATE FORCE

PART ORIENTATION IN TRAY  
 FOR PART NUMBER 87537-6822 ONLY  
 QUANTITY PER TRAY: 24 PIECES

UPDATE NOTE1 EC NO: S2007-0852 DRWN:YKOH 2007/04/03 CHKD:CGTAN 2007/04/03 APPR:KCLING 2007/04/03	DESCRIPTION QUALITY SYMBOLS ▽=0 ◻=0	GENERAL TOLERANCES (UNLESS SPECIFIED)		DIMENSION STYLE MM ONLY		SCALE NTS	DESIGN UNITS METRIC	THIRD ANGLE PROJECTION	
			mm	INCH	DRAWN BY PTLIM	DATE 1999/01/05	TITLE RECEPTACLE, CONNECTOR 1.27MM CTR, 68 CKTS, BTB BLIND-MATE, 3MM HT., R/A		
		4 PLACES	± ---	± ---	CHECKED BY KCLING	DATE 1999/01/14	MOLEX INCORPORATED DOCUMENT NO. SD-87537-002 SHEET NO. 2 OF 2		
		3 PLACES	± ---	± ---	APPROVED BY SKTOH	DATE 1999/01/15			
2 PLACES	± 0.25	± ---	ANGULAR ± 3 °		DRAFT WHERE APPLICABLE MUST REMAIN WITHIN DIMENSIONS				
1 PLACE	± ---	± ---	SEE TABLE		THIS DRAWING CONTAINS INFORMATION THAT IS PROPRIETARY TO MOLEX INCORPORATED AND SHOULD NOT BE USED WITHOUT WRITTEN PERMISSION				