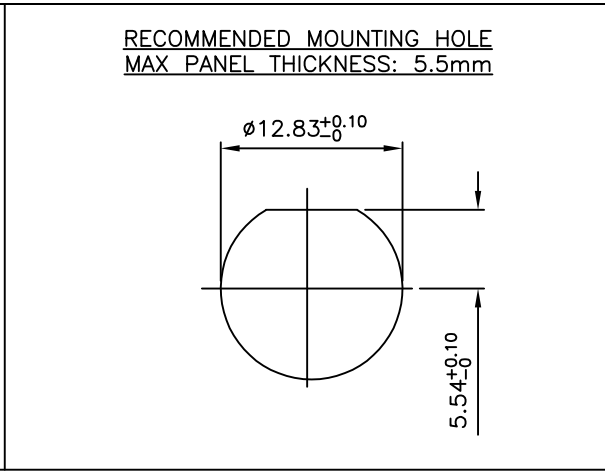
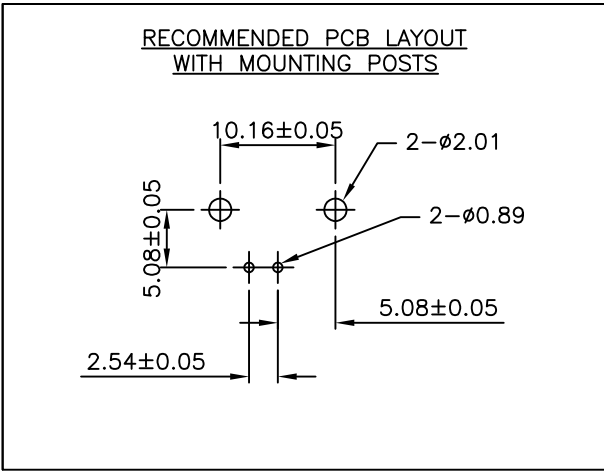
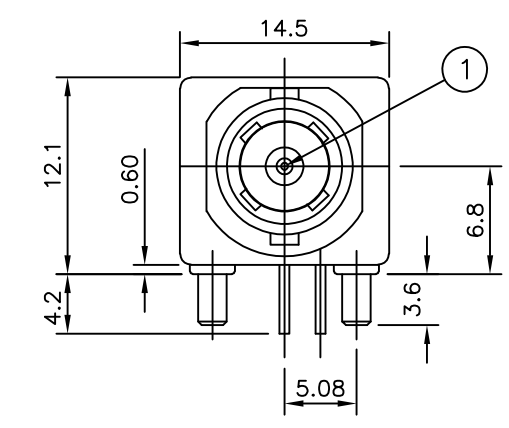
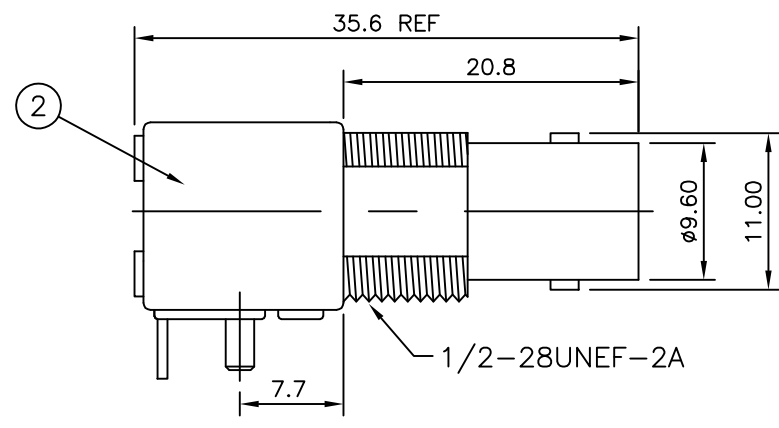
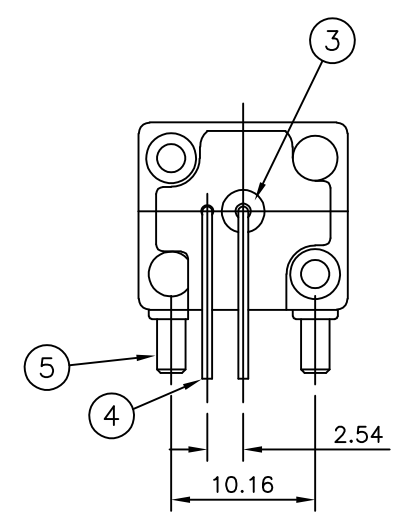


THIS DRAWING IS UNPUBLISHED. RELEASED FOR PUBLICATION NOV , 2005.  
 © COPYRIGHT 2005 BY TYCO ELECTRONICS CORPORATION. ALL RIGHTS RESERVED.

LOC	DIST	REVISIONS					
E	B	P	LTR	DESCRIPTION	DATE	DWN	APVD
		D		ECO-09-003420	05 Mar 09	RITA	BOB

- NOTES:**
- 1 SINGLE PACK IN ACCORDANCE WITH AMP SPEC 107-3275
  - 2 50 TRAY PACK IN ACCORDANCE WITH AMP SPEC 107-3275
  - 3 Au PLATING
  - 4 Ni PLATING
  - 5 TIN PLATING
  - 6. FOR TECHNICAL DATA REFER TO YOUR LOCAL TYCO ELECTRONICS SALES OFFICE
  - 7. ALL DIMENSIONS ARE NOMINAL FOR REFERENCE ONLY UNLESS OTHERWISE STATED



QTY	QTY	MATERIAL	DESCRIPTION	ITEM
2	2	BRASS	MOUNTING POST	5
1	1	BRASS	SOLDER TAIL	4
1	1	PE-606	INSULATOR	3
1	1	ZINC ALLOY	BODY	2
1	1	BRASS	CONTACT	1
6--0	1--0	MATERIAL	DESCRIPTION	ITEM

THIS DRAWING IS A CONTROLLED DOCUMENT.		DWN RITA ZUO 05 Mar 09	Tyco Electronics Corporation Kunshan, Jiangsu, PRC 215312	
DIMENSIONS: MM		CHK ANSON MA 05 Mar 09	NAME BNC SHIELDED LOW PROFILE ELBOW PCB SOCKET 75 OHM	
TOLERANCES UNLESS OTHERWISE SPECIFIED:		APVD BOB ZHAO 05 Mar 09	PRODUCT SPEC 108-112000	
0 PLC ± 0.5		APPLICATION SPEC		
1 PLC ± 0.3		SIZE A3		
2 PLC ± 0.2		CAGE CODE 00779		
3 PLC ± -		DRAWING NO C-1478030		
4 PLC ± -		RESTRICTED TO -		
ANGLES ± -		SCALE NTS		
MATERIAL SEE TABLE		SHEET 1 OF 1		
FINISH SEE TABLE		REV D		
CUSTOMER DRAWING				