

P/N S181FL-L-RMM-2450S

Alternative Connectors

Straight MMCX Plug

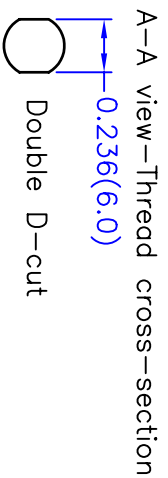
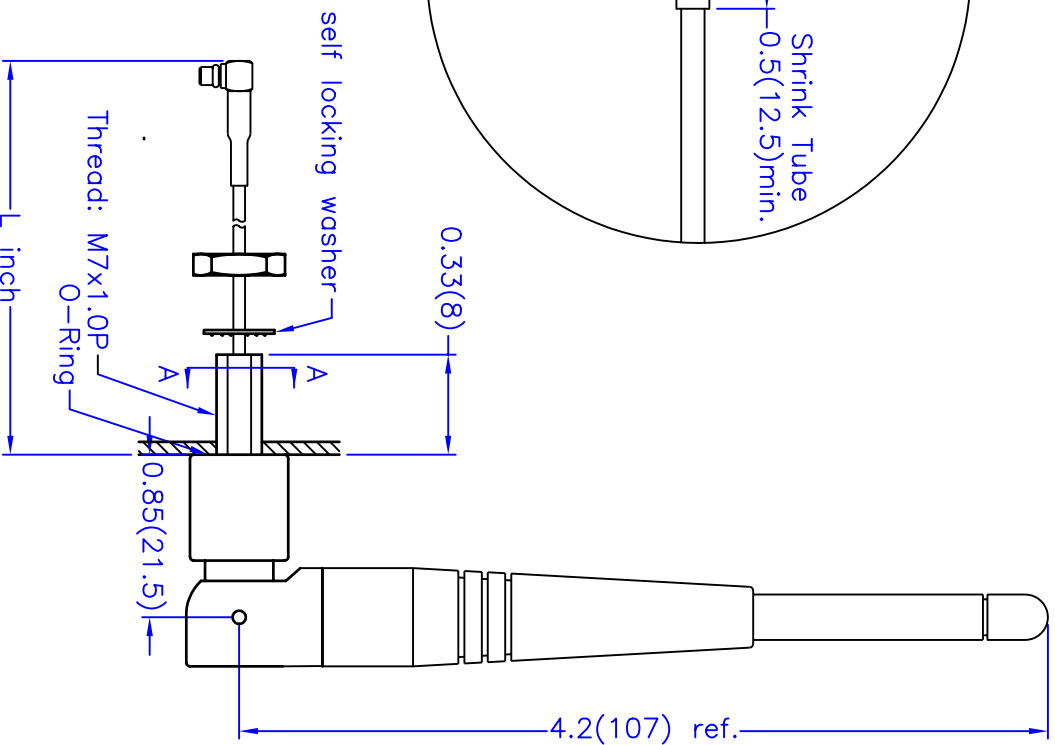
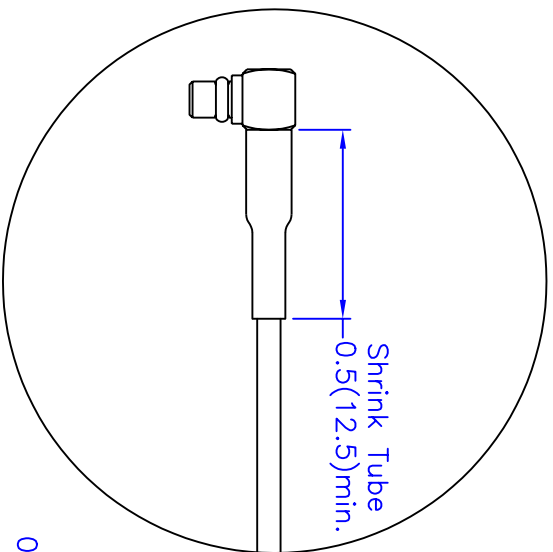
P/N: S181FL-L-MM-2450S

ECN

Date

Description

5/30/02	change mounting thread/hole from round to double D-cut
6/15/02	Supersede P/N S181FL-L-RMM-2450S-DR



Electrical Properties:

- Frequency Range: 2.4~2.5 GHz
 - Impedance: 50Ω nominal
 - VSWR: <2.0:1
 - Gain: *2.0 dBi
 - Radiation: Omni
 - Polarization: Vertical
- *Gain is measured under no flying lead.

Mechanical Properties:

- Cable: M17/93-RG178; Harbour Industries
- Cable Length: Standard length L=5 inches. or to be specified.
- Connector: R/A MMCX Plug(male); Nearson 25-03M-TGG
- Material: Overmold: Polyurethane(Black); BASF
Swivel: Polyurethane(Black); BASF and Polycarbonate(Black); Bayer
- Operation Temp.: -20°C to +65°C
- Storage Temp.: -30°C to +75°C

TITLE	2.4GHz Fixed Mount Swivel Antenna - 181 Model	DATE	SHEET
UNIT	DWG. NO.		1 of 2
in.(mm)	S181FL-L-RMM-2450S		
SCALE	NEARSON		
None			

P/N S181FL-L-RMM-2450S

Alternative Connectors

.Straight MMCX Plug

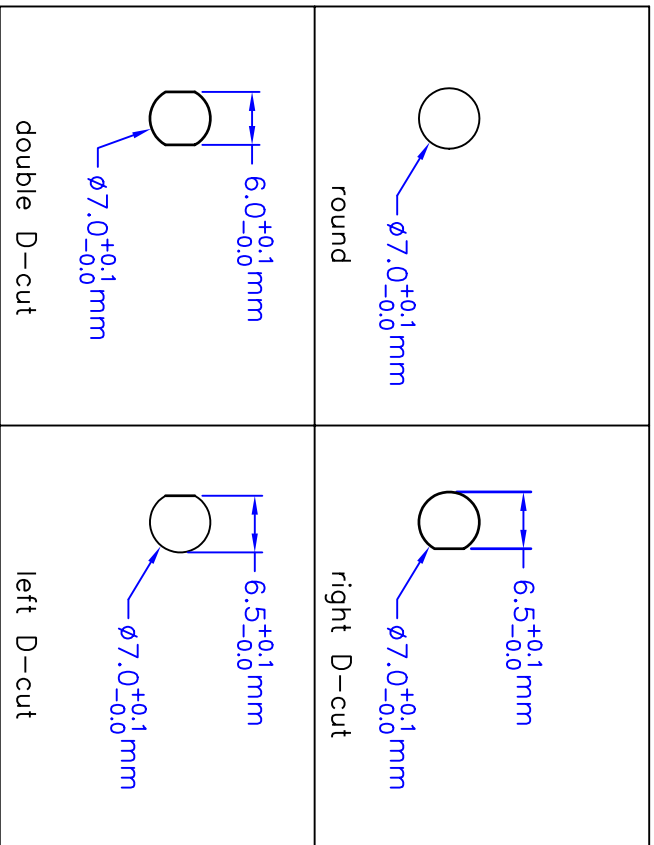
P/N: S181FL-L-MM-2450S

ECN

Date

Description

5/30/02	change mounting thread/hole from round to double D-cut
6/15/02	Supersede P/N S181FL-L-RMM-2450S-DR



Recommended Mounting-Hole Dimensions

L (inch)	Attenuation (dB)
3"	0.20 dB
4"	0.27 dB
5"	0.33 dB
6"	0.40 dB
8"	0.53 dB
10"	0.66 dB
12"	0.79 dB

Fying Lead Cable Length v.s. Attenuation Table
 Standard M17/93-RG178 Cable Measured @ 2.4GHz

TITLE	2.4GHz Fixed Mount Swivel Antenna - 181 Model	DATE	SHEET
UNIT	DWG. NO. S181FL-L-RMM-2450S		2 of 2
in.(mm)			
SCALE			
None			

NEARSON

<http://www.nearson.com>