

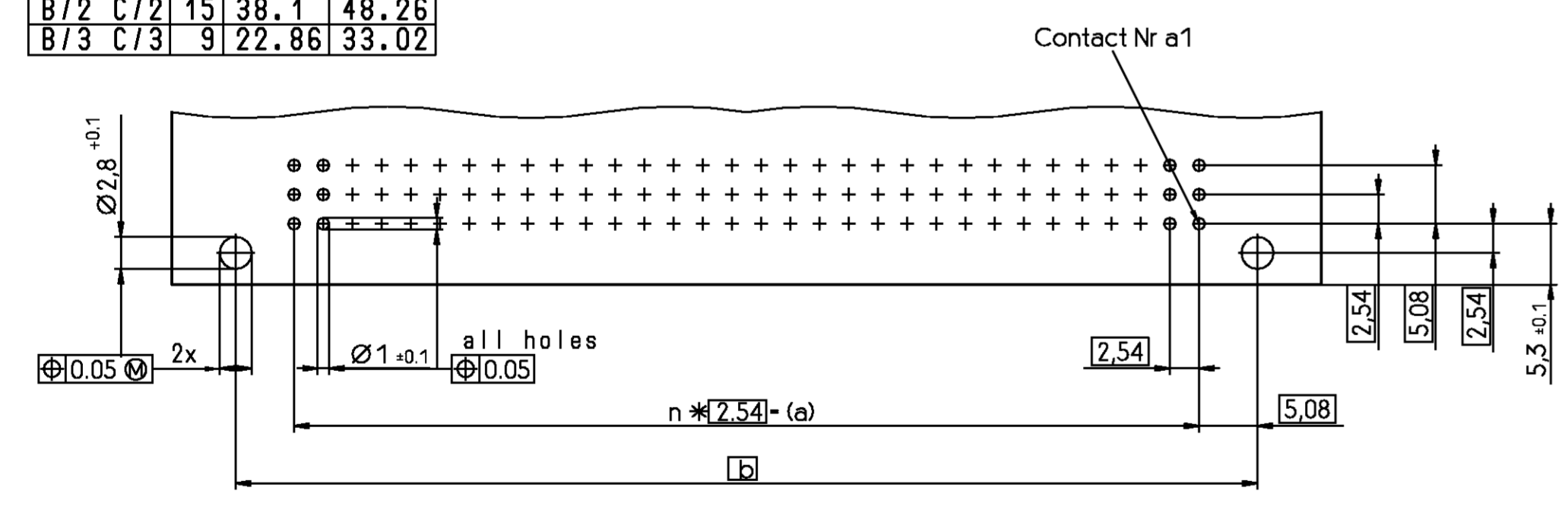
Housing material: PCT 30% glassfilled (UL94V-0)
colour: Black

Housing material: PCT 30% glassfilled (UL94V-0)
colour: Black

Housing material: PCT 30% glassfilled (UL94V-0)
colour: Black

Bauform	n	a	b
B	C	31	78.74 88.9
B/2	C/2	15	38.1 48.26
B/3	C/3	9	22.86 33.02

Mounting holes in PCB



V42254 - R1*** - +***

code for performance level
code for termination style

Style, no of contacts
and contact assignment
see page 2

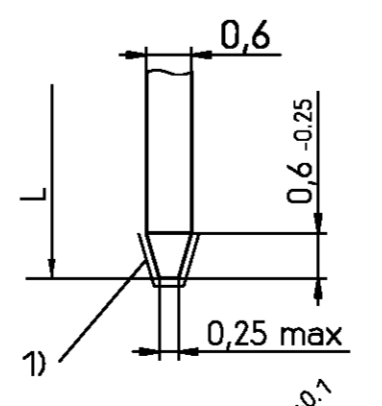
THIS INFORMATION IS CONFIDENTIAL AND PROPRIETARY TO TYCO ELECTRONICS CORPORATION AND ITS WORLDWIDE SUBSIDIARIES AND AFFILIATES. IT MAY NOT BE DISCLOSED TO ANYONE, OTHER THAN TYCO ELECTRONICS CORPORATION, WITHOUT WRITTEN AUTHORIZATION FROM TYCO ELECTRONICS CORPORATION, HARRISBURG, PENNSYLVANIA USA.

Termination Style

L	Code
3 -0.4	00

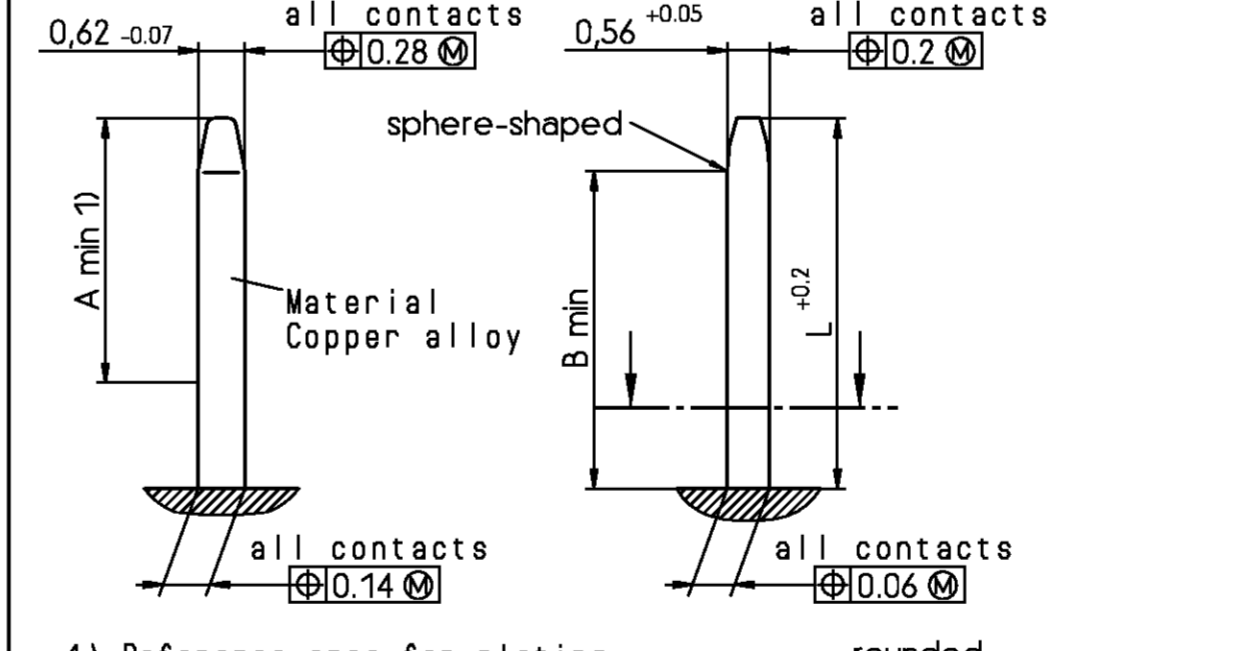
V42254-B1***-C***

Soldering/Wire-Wrap pins



1) Cutting edges not plated
Terminations with galvanic Sn plating

Contact: Dimensions, plating, material, pre-mating



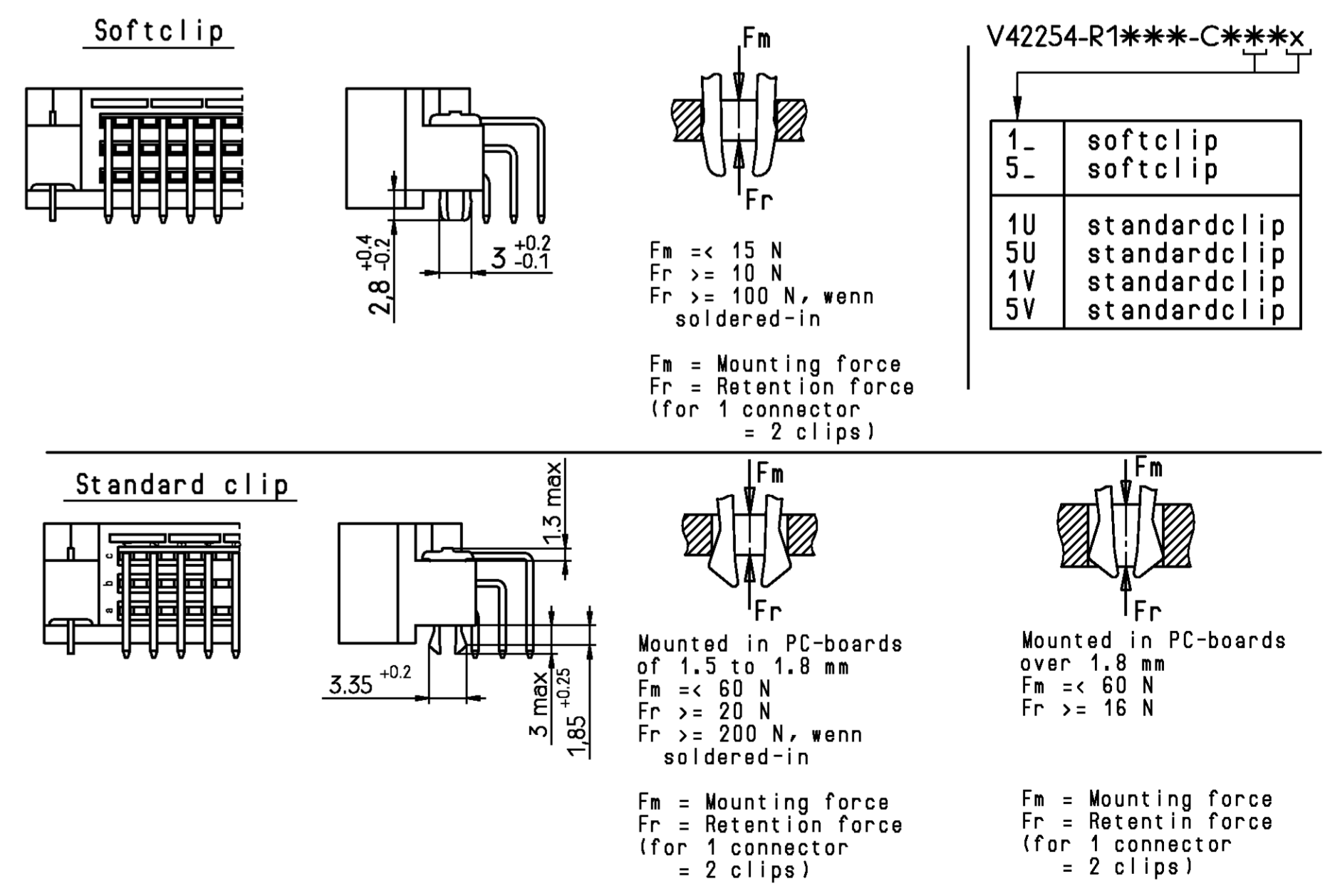
	L	A	B
normal contacts	4.8	3.5	4.2
pre-mating contacts	5.8	4.5	5.2

V42254-B1***-C***

Performance level acc to DIN41612 and IEC603-2	Noble metals	Code
Class I	PdNi + Au or Au	1
	Au	4
Class II	PdNi + Au or Au	2
	Au	5
Class III	PdNi + Au or Au	3

Nickel underlayer
Protection film: HF-grease

Male connector with board locks



		TYCO ELECTRONICS CORPORATION OOSTKAMP - BELGIUM		SCALE: MATERIAL: WEIGHT:	
DATE: 1 Aug 02 NAME: Colpaert DEP.: PD&Com		DIMENSIONS IN MM		PART NAME: Pin Assembly Eurocard High Temperature, Types B and C	
B ECO-17-002173 10 MAR 2017 SY A2 ECR-10-003044 02 JUN 10 MKO A1 SR10-0177-03 18 JUN 03 KV A SR10-0424-02 25 Sep 02 BC O 1 Aug 02 BC		TOLERANCE UNLESS SPECIFIED OTHERWISE		PART NO. V42254-R1***-C***-7626 SHEET 1+ OF 2	
REV. CHANGE ORDER DATE APP.		Customer Drawing Nr. C 4-1392009-3			



THIS INFORMATION IS CONFIDENTIAL AND PROPRIETARY TO TYCO ELECTRONICS CORPORATION AND ITS WORLDWIDE SUBSIDIARIES AND AFFILIATES. IT MAY NOT BE DISCLOSED TO ANYONE, OTHER THAN TYCO ELECTRONICS PERSONNEL, WITHOUT WRITTEN AUTHORIZATION FROM TYCO ELECTRONICS CORPORATION, HARRISBURG PENNSYLVANIA USA

PROPRIETARY:

Part Number	Part Discription	Style & Number of Positions	Termination posts	Loaded Rows	Standard Pre-Mating 1 mm 1)	Performance Level	Board Locks	
1393649-1	V42254-R1200-C910	C96	right-angle solder leads	every row , every pitch	No	2	Softclip	
4-1392009-3	V42254-R1200-C950U	C96	right-angle solder leads	every row , every pitch	Yes	2	Standardclip	OBSOLETE
4-1392009-4	V42254-R1200-C953U	C96	right-angle solder leads	row a+c , every pitch	Yes	2	Standardclip	
1393649-5	V42254-R1500-C410R	C48	right-angle solder leads	every row , every pitch	No	2	Softclip	OBSOLETE 2)
1393649-6	V42254-R1500-C910R	C96	right-angle solder leads	every row , every pitch	No	2	Softclip	OBSOLETE 2)

- 1) First and last contact of each loaded row is a pre-mating (make first / break last) contact.
- 2) Connectors packed in Tape&Reel packaging.

Active part numbers.
Contact Tyco Electronics for other configuration availability

		TYCO ELECTRONICS CORPORATION OOSTKAMP - BELGIUM		 DIMENSIONS IN MM		SCALE	WEIGHT
REV. A2		CHANGE ORDER		DATE 1 Aug '02		PART NAME	
				NAME Colpaert B.		Pin Assembly Eurocard	
				DEP. PD&E Com		High Temperature, types B and C	
				TOLERANCE UNLESS SPECIFIED OTHERWISE		PART NO.	
				Customer Drawing Nr. C 4-1392009-3		V42254-R1***-C***-*7626	
						SHT. 2- OF 2	