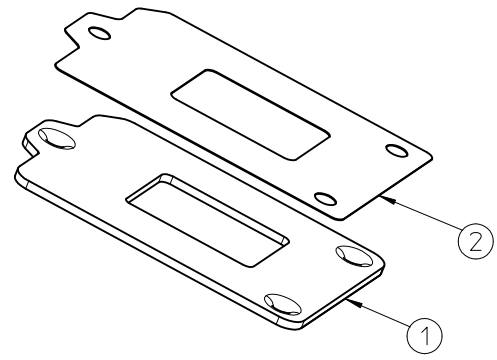
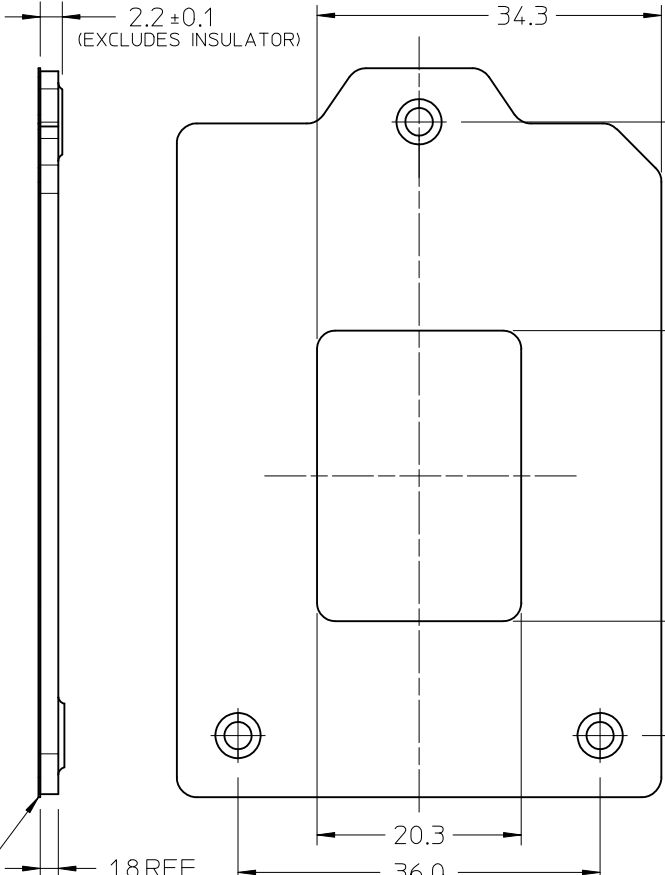
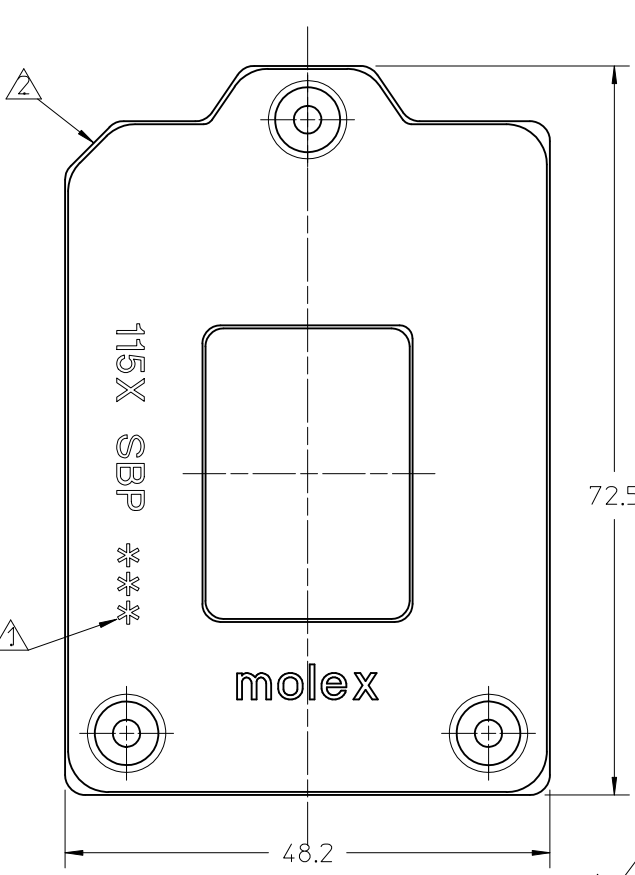


10 9 8 7 6 5 4 3 2 1



47596-8823	WITH HALOGEN FREE
PART NO.	DESCRIPTION

ITEM NO	QTY	DESCRIPTION	MATERIAL
	1	ILM BACK PLATE ASSY	
①	1	SOCKET BACKPLATE FOR 1U SERVER	STEEL WITH NICKEL PLATING
②	1	SOCKET BACKPLATE INSULATOR	POLYCARBONATE FILM

NOTES:

- ① DATE CODE
- \* \* \* WORKING DAY  
WORKING MONTH  
WORKING YEAR
- ② INSULATOR OVERHANGS ALL EXTERNAL EDGES.
- 3. 6-32 UNC MIN. 2MM THREAD DEPTH
- 4. THE PART IS COMPLIANT TO RoHS DIRECTIVE 2002/95/EC AND ELV 2000/53/EC.

ENTER DESCRIPTION	QUALITY SYMBOLS
EC NO: SH2012-0146	F=0
DRWN: JZHANG11 2011/11/17	F=0
CHKD:	F=0
APPR: AYIN 2011/12/30	
REV	

GENERAL TOLERANCES (UNLESS SPECIFIED)	
	mm INCH
4 PLACES	± --- ± ---
3 PLACES	± --- ± ---
2 PLACES	± 0.10 ± ---
1 PLACE	± 0.15 ± ---
ANGULAR ± 1/2°	
DRAFT WHERE APPLICABLE MUST REMAIN WITHIN DIMENSIONS	

DIMENSION STYLE		SCALE	DESIGN UNITS	THIRD ANGLE PROJECTION
MM ONLY		2:1	METRIC	
DRAWN BY	DATE	TITLE		
YQSUN	2008/12/15	115X BACK PLATE ASSEMBLY FOR 1U SERVER		
CHECKED BY	DATE	MOLEX INCORPORATED		
APPROVED BY	DATE	MATERIAL NO. SEE TABLE DOCUMENT NO. SD-47596-104 SHEET NO. 1 OF 1		
THIS DRAWING CONTAINS INFORMATION THAT IS PROPRIETARY TO MOLEX INCORPORATED AND SHOULD NOT BE USED WITHOUT WRITTEN PERMISSION				

9 8 7 6 5 4 3 2 1