

THIS DRAWING IS UNPUBLISHED.

RELEASED FOR PUBLICATION

LOC

DIST

REVISIONS

© COPYRIGHT - By -

ALL RIGHTS RESERVED.

E

B

P

LTR

DESCRIPTION

DATE

DWN

APVD

A

FIRST ISSUE

26AUG2014

RZ

MY

NOTES:

1 PACKAGE ONE COMPLETE CONNECTOR IN HEAT SEALED, LABELED BAG/ 250 PER SHIPPING BOX. LABELED PER TEC-107-115

2 Au PLATING

3 PASSIVATED

4 WHITE BRONZE PLATING

5 THIS ITEM MUST BE WHITE

6 ELECTRICAL CHARACTERISTICS

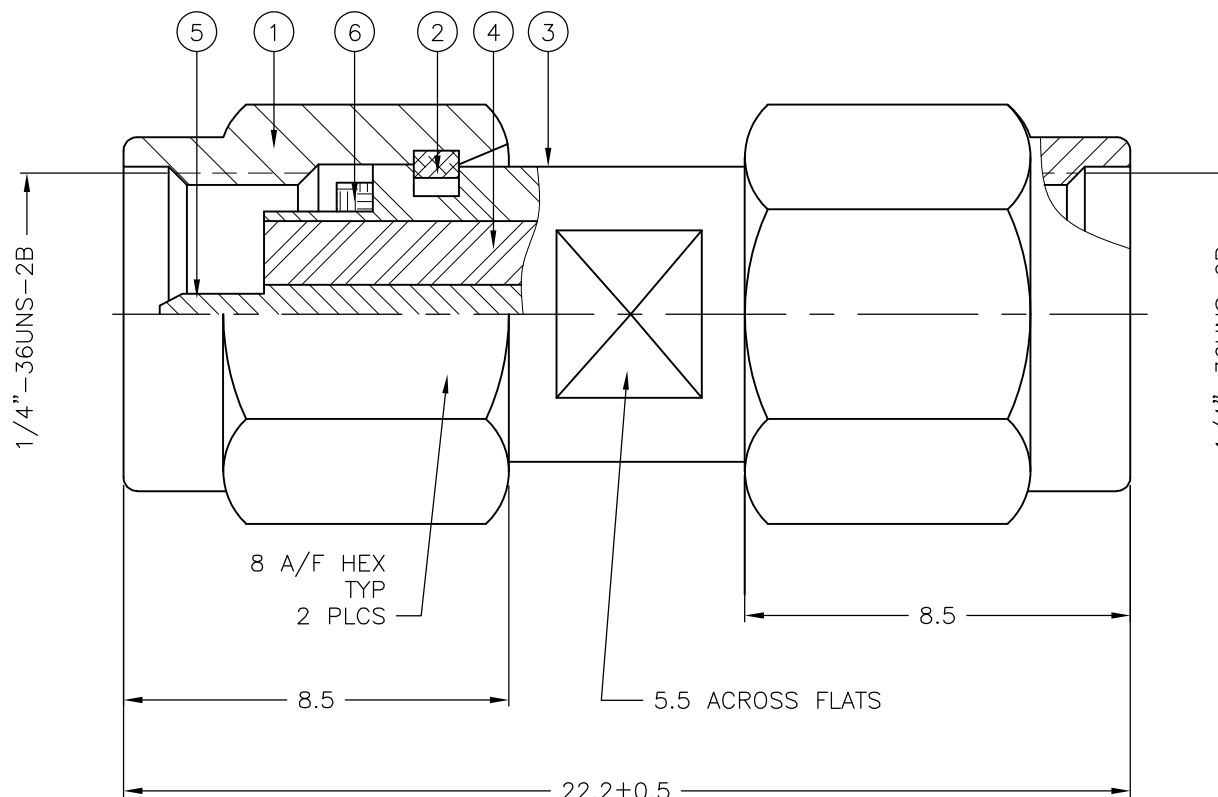
FREQUENCY RANGE:	DC - 18 GHz
NOMINAL IMPEDANCE:	50 Ohm
INSULATION RESISTANCE:	5000 MOhm
WORKING VOLTAGE:	500 Volts RMS at Sea Level
DIELECTRIC WITHSTAND VOLTAGE:	1500 Volts RMS Max
CONTACT RESISTANCE:	
CENTER CONTACT:	4.00 mOhm Max
OUTER CONTACT:	2.00 mOhm Max
VSWR:	1.23:1
INSERTION LOSS dB @ 3 GHz:	0.1 Max

7 MECHANICAL CHARACTERISTICS


COUPLING NUT RETENTION FORCE:	60 lbs Min
RECOMMENDED COUPLING NUT TORQUE:	7 to 10 in-lbs
DURABILITY:	500 Cycles Min

8 ENVIRONMENTAL CHARACTERISTICS

OPERATING TEMPERATURE:	-65 to +165 DegC
------------------------	------------------



2	2	2	2	SILICONE RUBBER	5	GASKET	6
1	1	1	1	BRASS	2	CONTACT	5
1	1	1	1	PTFE		INSULATION	4
1	-	-	-	BRASS	4	BODY	3
-	1	-	-	BRASS	2	BODY	3
-	-	1	-	STAINLESS STEEL	3	BODY	3
-	-	-	1	STAINLESS STEEL	2	BODY	3
2	2	2	2	STAINLESS STEEL		CIRCLIP	2
2	-	-	-	BRASS	4	COUPLING NUT	1
-	2	-	-	BRASS	2	COUPLING NUT	1
-	-	2	-	STAINLESS STEEL	3	COUPLING NUT	1
-	-	-	2	STAINLESS STEEL	2	COUPLING NUT	1
4--0	3--0	2--0	1--0	MATERIAL		DESCRIPTION	ITEM
△	△	△	△				
QUANTITY PER ASSY				PARTS LIST			

THIS DRAWING IS A CONTROLLED DOCUMENT.		DWN	26 AUG 2014	 TE Connectivity NAME SMA STRAIGHT ADAPTOR PLUG-PLUG						
DIMENSIONS: mm		CHK	26 AUG 2014							
TOLERANCES UNLESS OTHERWISE SPECIFIED:		ANSON MA	26 AUG 2014							
0 PLC ± - 1 PLC ± 0.2 2 PLC ± 0.1 3 PLC ± - 4 PLC ± - ANGLES ± -		APVD	26 AUG 2014							
MATERIAL SEE TABLE		FINISH -		PRODUCT SPEC	108-2460					
				APPLICATION SPEC	-					
				WEIGHT	-					
				CUSTOMER DRAWING	SCALE	NTS	SHEET	1 OF 1	REV	A