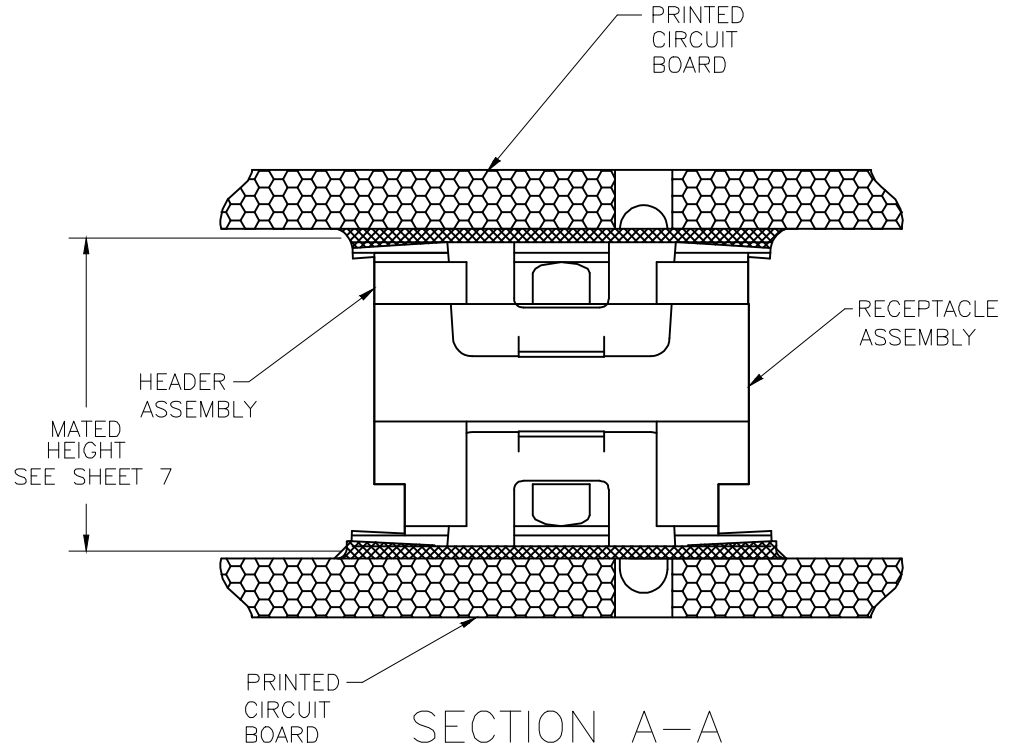
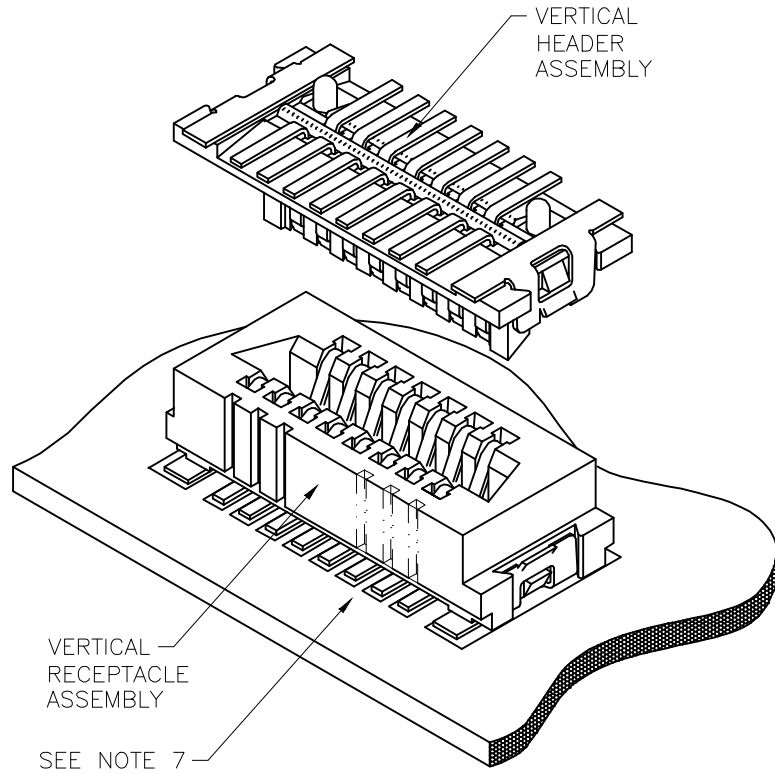


PRODUCT NUMBER
SEE TABLE



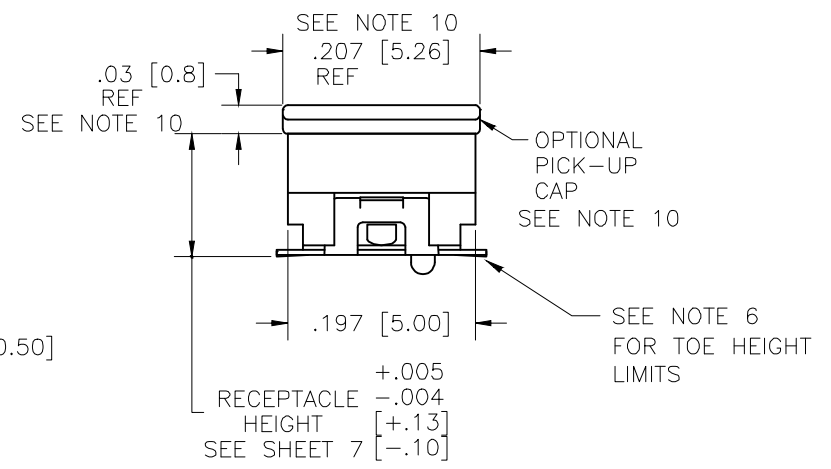
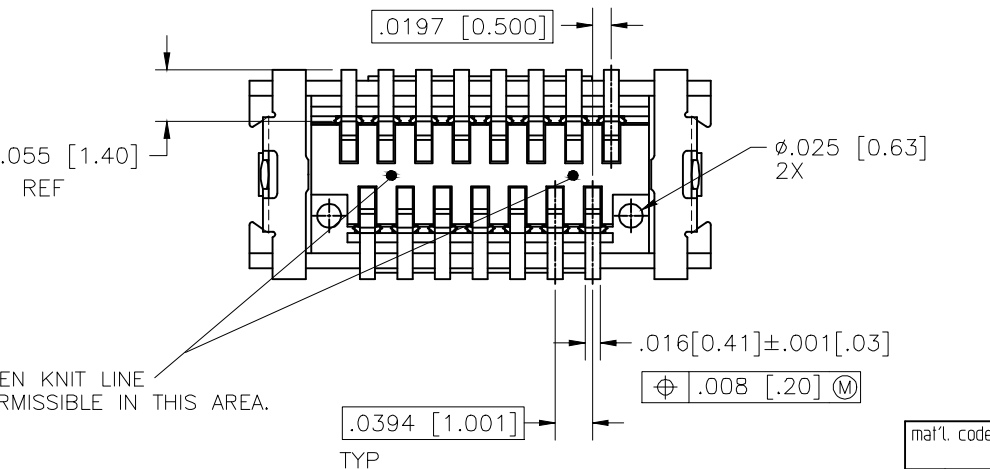
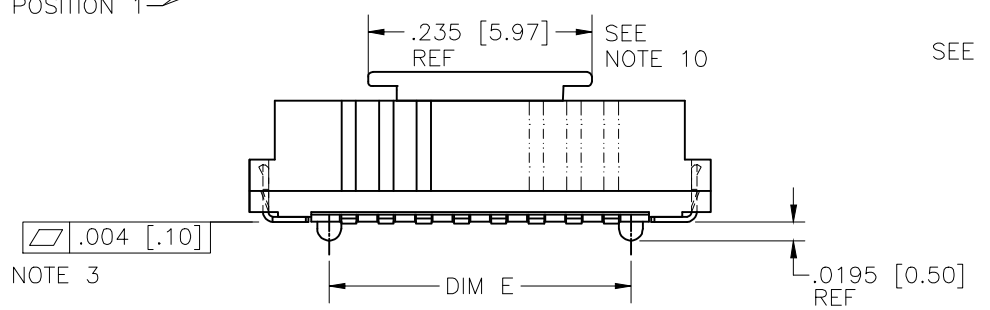
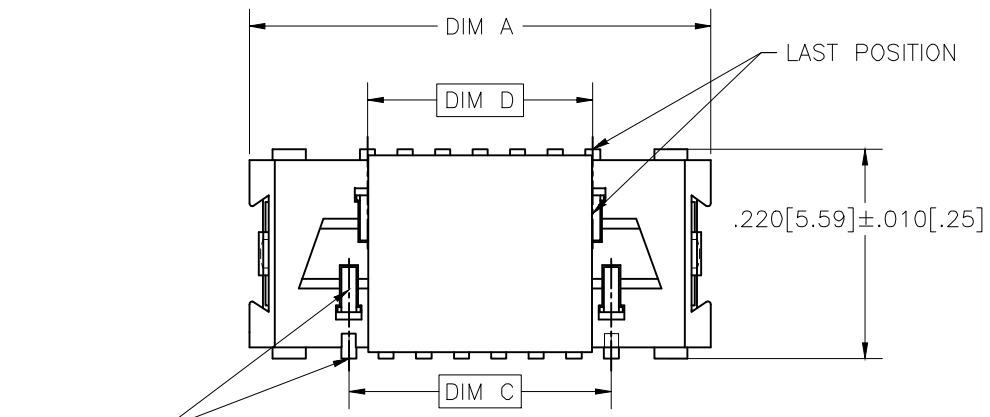
SECTION A-A
ROTATED 90°
N.T.S.

mat'l. code		surface ISO 1302		tolerance ISO 406 ISO 1101		projection 		product family CONAN®	
ltr	ecn no	dr	date	tolerances unless otherwise specified		title		CONAN® LEADED CONNECTOR	
A	M08-0040	AGS	01/31/08	angles	linear	INCH/MM		dwg no	
B	ELX-N-14211	GM	03/07/13	0° ± 2'	.xxx ± .005/0.13	scale 5:1		sheet 1 of 7 size	
					.xxxx ± .0020/0.051			10086244	
				dr	A. GARCIA	01/31/08		A3	
				enr	C. MARTINEZ	01/31/08		type	
				chr	C. MARTINEZ	01/31/08		Product Customer Drawing	
				appd	C. MARTINEZ	01/31/08			
sheet index	revision	B	B	B	B	B	B		
	sheet	1	2	3	4	5	6		

FCJ
FCconnect.com

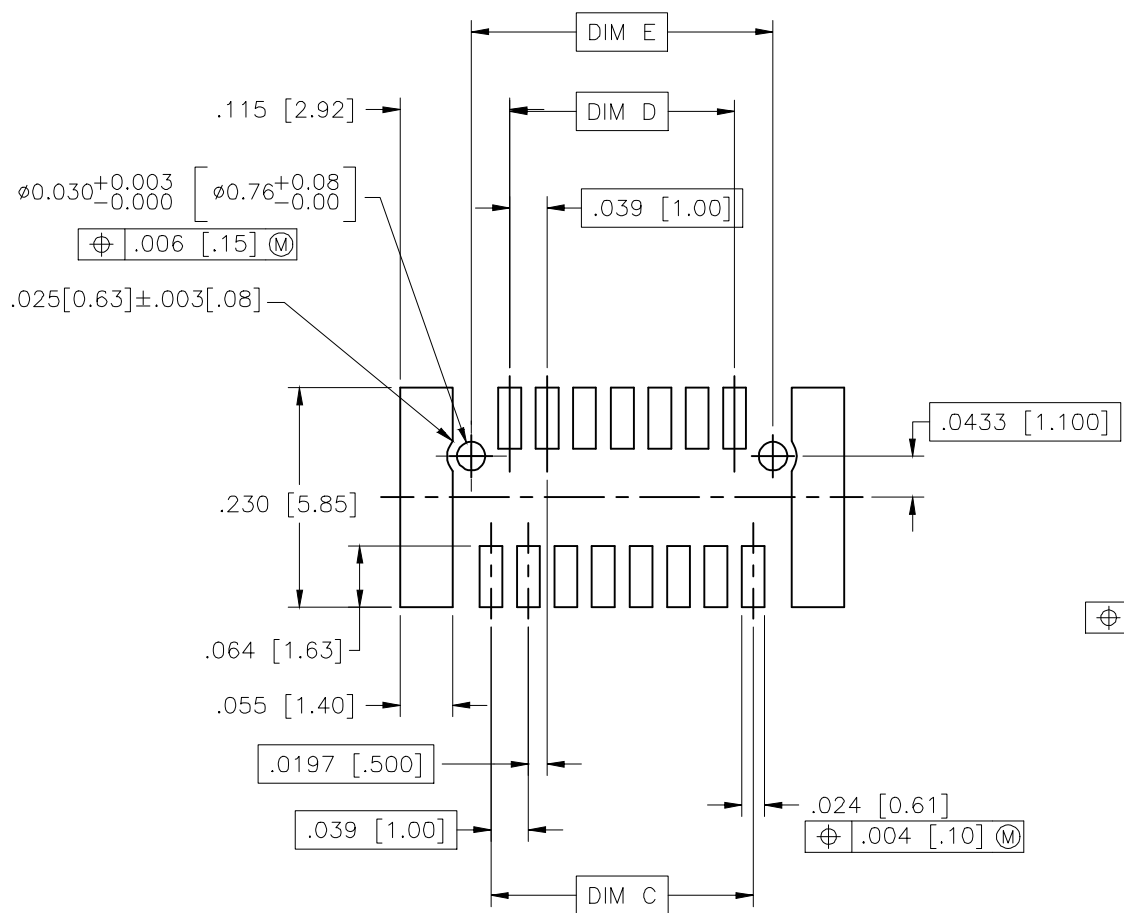
Copyright FCJ

PRODUCT NUMBER
SEE TABLE

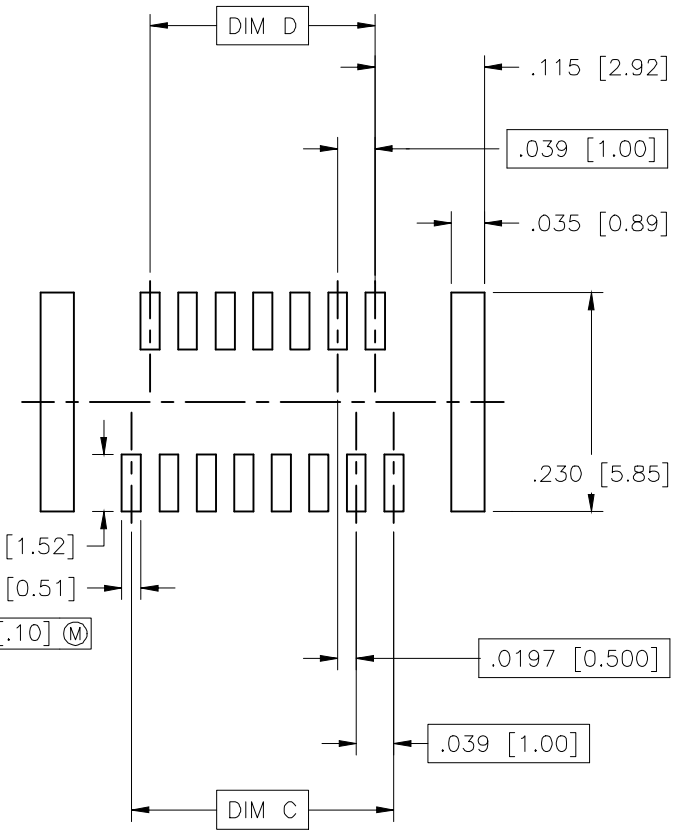


mat'l. code		surface ISO 1302	tolerance ISO 406 ISO 1101	projection INCH/MM	product family CONAN®
ltr	ecn no	dr	date	file	
B				CONAN® LEADED CONNECTOR	
				dwg no	sheet 2 of 7 size
				10086244	A3
				type Product Customer Drawing	
sheet index	revision sheet				

PRODUCT NUMBER
SEE TABLE



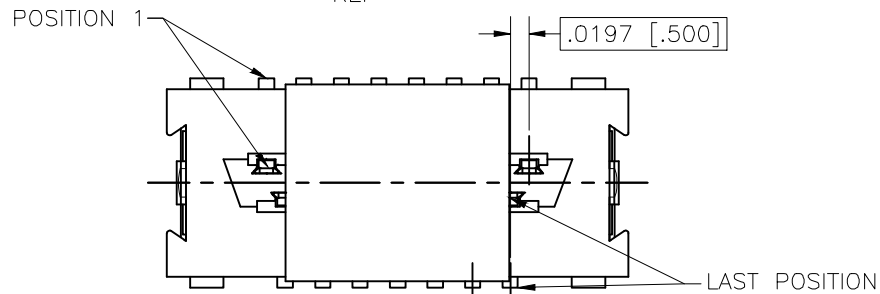
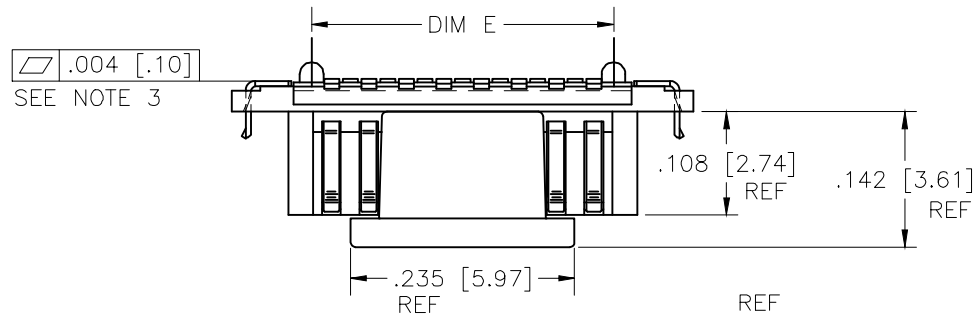
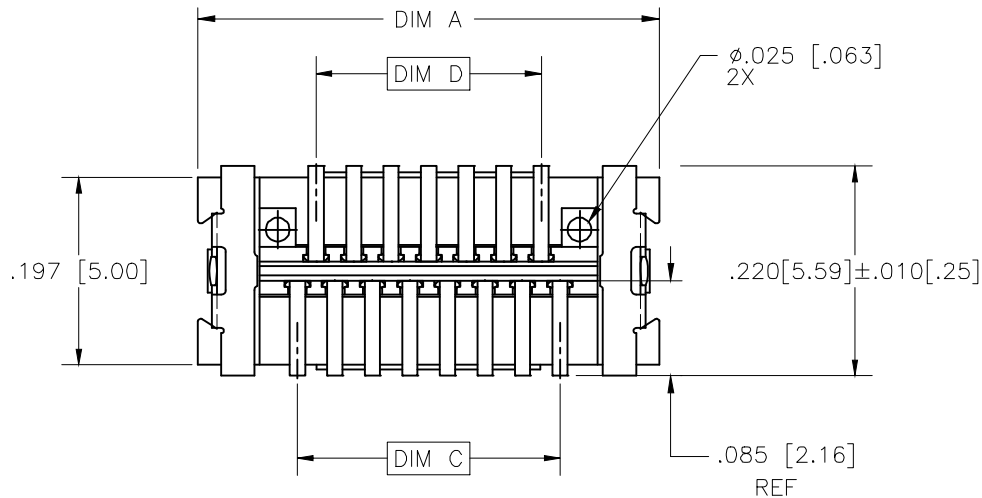
RECOMMENDED
PAD LAYOUT



RECOMMENDED
STENCIL LAYOUT
FOR RECEPTACLE

mat'l. code		surface ISO 1302	tolerance ISO 406 ISO 1101	projection	product family CONAN®
ltr	ecn no	dr	date	tolerances unless otherwise specified	title
B				linear .XX±.01/0.3 .XXX±.005/0.13 .XXXX±.0020/0.051	CONAN® LEADED CONNECTOR
				Scale 5:1	dwg no 10086244
					sheet 3 of 7 size A3
					type Product Customer Drawing
sheet index	revision sheet				

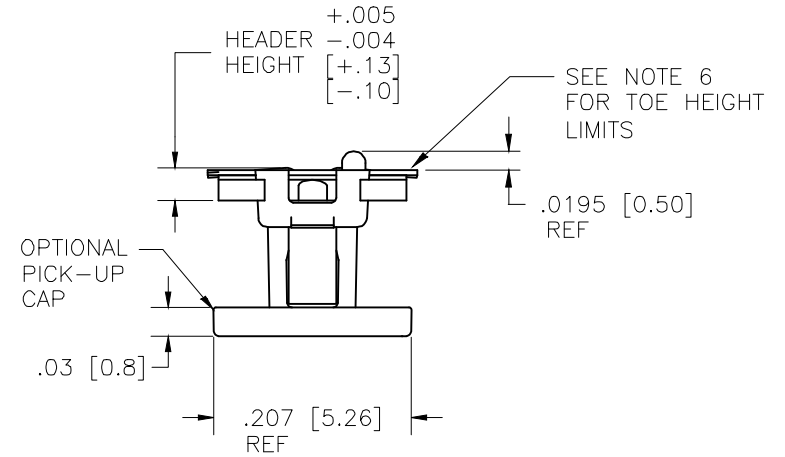
PRODUCT NUMBER
SEE TABLE



$.016 [0.41] \pm .001 [.03]$

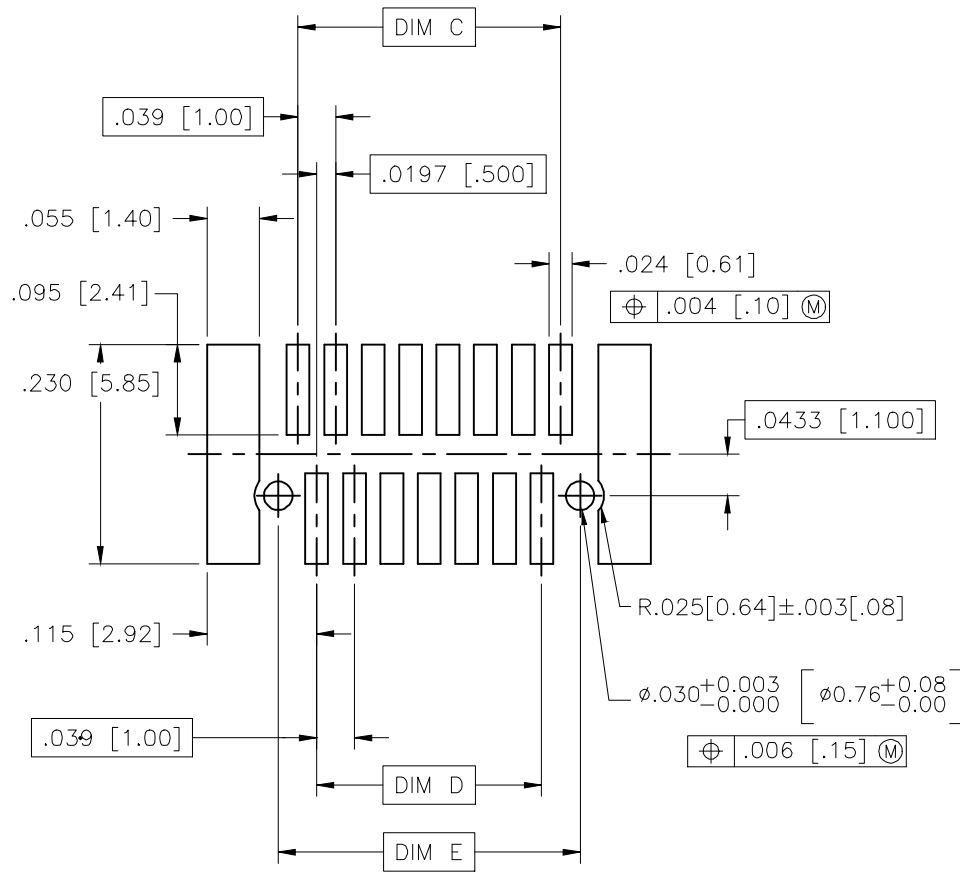
$\phi .008 [.20] \text{ (M)}$

$.0394 [1.001]$

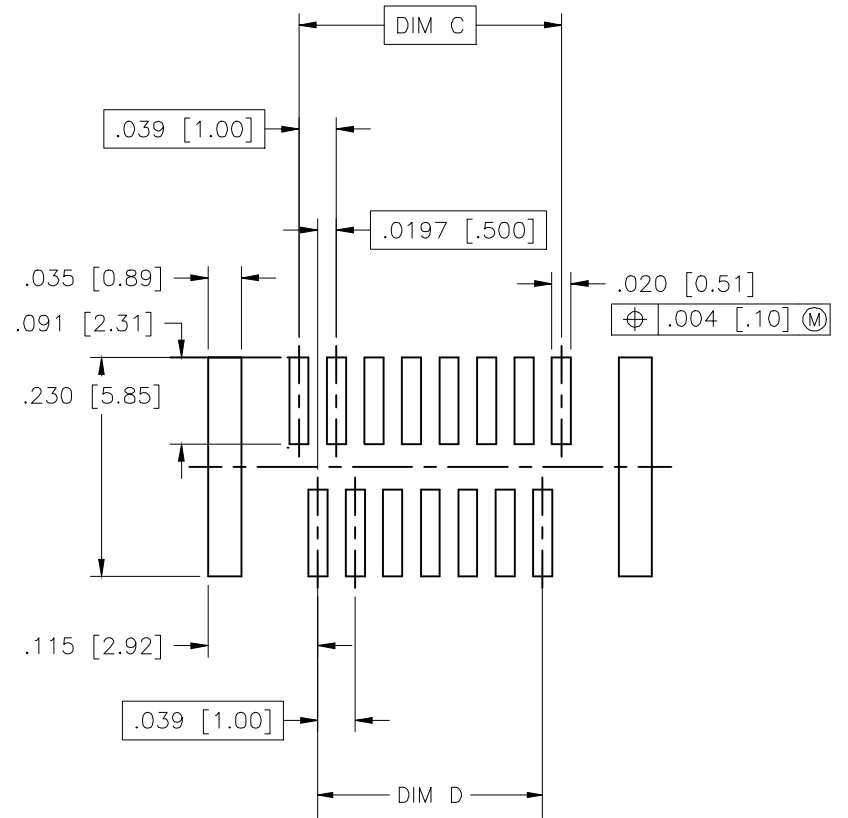


mat'l. code		surface ISO 1302	tolerance ISO 406 ISO 1101	projection	product family CONAN®
ltr	ecn no	dr	date	tolerances unless otherwise specified	title
B				linear	CONAN® LEADED CONNECTOR
				angles	INCH/MM
				0'±2'	Scale 5:1
		dr	A. GARCIA	01/31/08	dwg no
		engr	C.MARTINEZ	01/31/08	sheet 4 of 7 size
		chr	C.MARTINEZ	01/31/08	10086244
		appd	C.MARTINEZ	01/31/08	A3
sheet	revision				type Product Customer Drawing
index	sheet				

PRODUCT NUMBER
SEE TABLE



RECOMMENDED
PAD LAYOUT



RECOMMENDED
STENCIL LAYOUT
FOR HEADER

mat'l. code		surface ISO 1302	tolerance ISO 406 ISO 1101	projection	product family CONAN®
ltr	ecn no	dr	date	tolerances unless otherwise specified	title
B				linear .XX±.01/0.3 .XXX±.005/0.13 .XXXX±.0020/0.051	CONAN® LEADED CONNECTOR
				angles 0'±2'	INCH/MM
				dr	scale 5:1
				enr	dwg no
				chr	sheet 5 of 7 size
				appd	10086244
					A3
					type Product Customer Drawing
sheet	revision				
index	sheet				



PRODUCT NUMBER	POS	DIM "A"	DIM "C"	DIM "D"	DIM "E"
10086244-TCWXY09	9	.366 [9.30]	.157 [4.00]	.118 [3.00]	.1990 [5.055]
-WXY11	11	.406 [10.30]	.197 [5.00]	.157 [4.00]	.2380 [6.045]
-WXY15	15	.484 [12.30]	.276 [7.00]	.236 [6.00]	.3170 [8.052]
-WXY21	21	.602 [15.30]	.394 [10.00]	.354 [9.00]	.4350 [11.049]
-WXY25	25	.681 [17.30]	.472 [12.00]	.433 [11.00]	.5140 [13.056]
-WXY31	31	.800 [20.30]	.591 [15.00]	.551 [14.00]	.6320 [16.053]
-WXY41	41	.996 [25.30]	.787 [20.00]	.748 [19.00]	.8290 [21.057]
-WXY51	51	1.193 [30.30]	.984 [25.00]	.945 [24.00]	1.0260 [26.060]
-WXY69	69	1.547 [39.30]	1.339 [34.00]	1.299 [33.00]	1.3800 [35.052]

NOTES:

- MATERIALS:
 RECEPTACLE HOUSING - LCP, UL-94V-0. COLOR: NATURAL.
 RECEPTACLE TERMINALS - COPPER ALLOY, PLATED WITH 15u"/.38u GXT™ IN CONTACT AREA AND 100u"/2.54u SnPb ON SOLDER LEGS WITH AN OVERALL 50u"/1.27u Ni UNDERPLATE.
 HEADER HOUSING - LCP, UL-94V-0. COLOR: NATURAL.
 HEADER TERMINALS - COPPER ALLOY, PLATED WITH 15u"/.38u GXT™ IN CONTACT AREA AND 100u"/2.54u SnPb ON SOLDER LEGS WITH AN OVERALL 50u"/1.27u Ni UNDERPLATE.
 RETENTION DEVICE - BRASS, PLATED WITH 100u"/2.54u SnPb OVER NICKEL.
- REFERENCE GS-12-006 FOR PRODUCT PERFORMANCE DATA.
- SEE TA-774 FOR FURTHER DESCRIPTION OF HOW THIS DIMENSION IS APPLIED.
- PICK AND PLACE CAP OR TAPE IS ONLY AVAILABLE WITH OPTION 3 PACKAGING. (PSA ADHESIVE SEALED). ALSO, PSA PACKAGING REQUIRES A PICK AND PLACE CAP.
- RECOMMENDED SOLDER PASTE THICKNESS IS .006 TO .008 INCHES THICK.
- THE TOE HEIGHT OF THE SOLDER TAIL SHALL BE MEASURED FROM THE LOWEST POINT OF THE .004 CO-PLANARITY GRAVITY PLANE. THIS MEASUREMENT IS NOT TO EXCEED A WINDOW OF .000 TO .007 INCHES.
- THREE SLOTS MAY BE LOCATED AT EITHER END OF HOUSING.
- 5.50mm MATED HEIGHT IS ONLY AVAILABLE IN 9, 15 AND 31 POS.
- 7.50mm MATED HEIGHT IS ONLY AVAILABLE IN 9 POS.
- APPLIES TO 91921-3XYZZ AND 91931- 3XYZZ OPTIONS ONLY.
- THE HOUSING WILL WITHSTAND EXPOSURE TO 260°C PEAK TEMPERATURE FOR 30 SECONDS IN A CONVECTION INFRA RED OR VAPOR PHASE REFLOW OVEN. SEE APPLICATION/PROCEDURES IF THEY ARE AVAILABLE

mat'l. code		surface ISO 1302	tolerance ISO 406 ISO 1101	projection 	product family CONAN®
l/r	ecn no	dr	date	tolerances unless otherwise specified	title CONAN® LEADED CONNECTOR
B				angles linear .XX±.01/0.3 .xxx±.005/0.13 .xxxx±.0020/0.051	INCH/MM Scale 5:1
		dr	A. GARCIA	01/31/08	dwg no 10086244
		engr	C.MARTINEZ	01/31/08	sheet 6 of 7 size A3
		chr	C.MARTINEZ	01/31/08	type Product Customer Drawing
		appd	C.MARTINEZ	01/31/08	
sheet index	revision				
	sheet				



Copyright FCI

PRODUCT NUMBER
SEE TABLE

CONAN® ASSEMBLY PART NUMBER

10086244 -T C W X Y ZZ

TYPE	T
HEADER WITH NO PEGS	0
HEADER WITH PEGS	1
RECEPTACLE WITH NO PEGS	2
RECEPTACLE WITH PEGS	3

PICK AND PLACE CAP OR TAPE (NOTE 4)	C
WITHOUT CAP OR TAPE	0
WITH CAP	1
WITH TAPE (RECEPTACLE ONLY)	2

PACKAGING	W
TUBE	2
PRESSURE SEALED TAPE & REEL	3

NOTE 4

Y	HEADER HEIGHT	RECEPTACLE HEIGHT	MATED HEIGHT +.010 -.008 [+.25] [-.20]
1	.034 [.86]	.129 [3.28]	.163 [4.15]
2	.048 [1.23]	SEE Y=1 FOR ALL RECEPTACLES	.177 [4.50]
3	.068 [1.73]		.197 [5.00]
4	.107 [2.72]		.236 [6.00]
5	.1465 [3.721]		.276 [7.00]
* 6	.088 [2.23]		.216 [5.50]
* * 7	.1665 [4.229]		.296 [7.52]

* NOTE 8
* * NOTE 9

X	PLATING
1	15u"/.38u GXT™
2	30u"/.76u GXT™

ZZ	NUMBER OF POSITIONS
09	9
11	11
15	15
21	21
25	25
31	31
41	41
51	51
69	69

EXAMPLE: 91921-31125
IS A CONAN® RECEPTACLE ASSEMBLY,
HAVING NO PEGS AND WITH A PICK AND PLACE CAP.
IT ALSO HAS GXT™ PLATING, IS .13 [3.2] HIGH AND 25
POSITIONS AND IS PACKAGED IN PRESSURE SEALED TAPE,
REEL.

mat'l. code		surface ISO 1302	tolerance ISO 406 ISO 1101	projection	product family CONAN®
ltr	ecn no	dr	date	tolerances unless otherwise specified	title
B				angles linear .XX±.01/0.3 .xxx±.005/0.13 .xxxx±.0020/0.051	CONAN® LEADED CONNECTOR
				0'±2'	INCH/MM
				dr A. GARCIA 01/31/08	scale 5:1
				enr C.MARTINEZ 01/31/08	dwg no 10086244 sheet 7 of 7 size A3
				chr C.MARTINEZ 01/31/08	type Product Customer Drawing
				appd C.MARTINEZ 01/31/08	
sheet index	revision sheet				