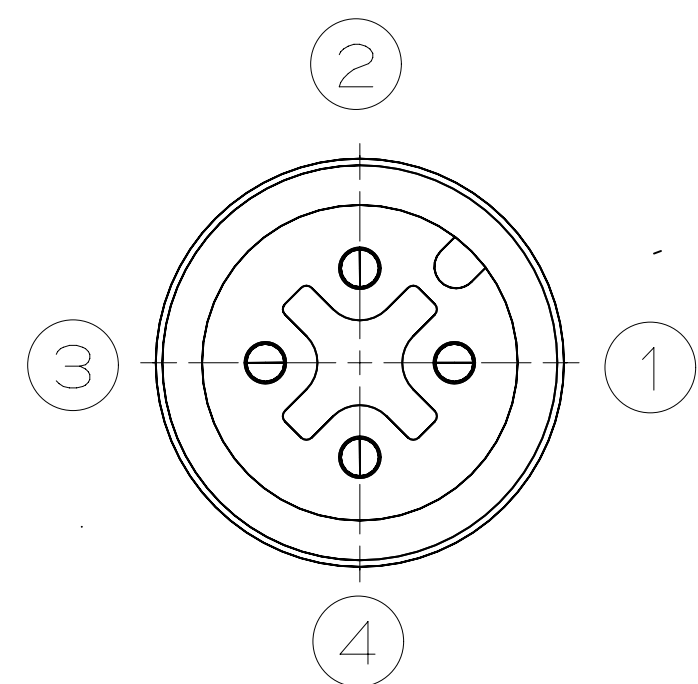
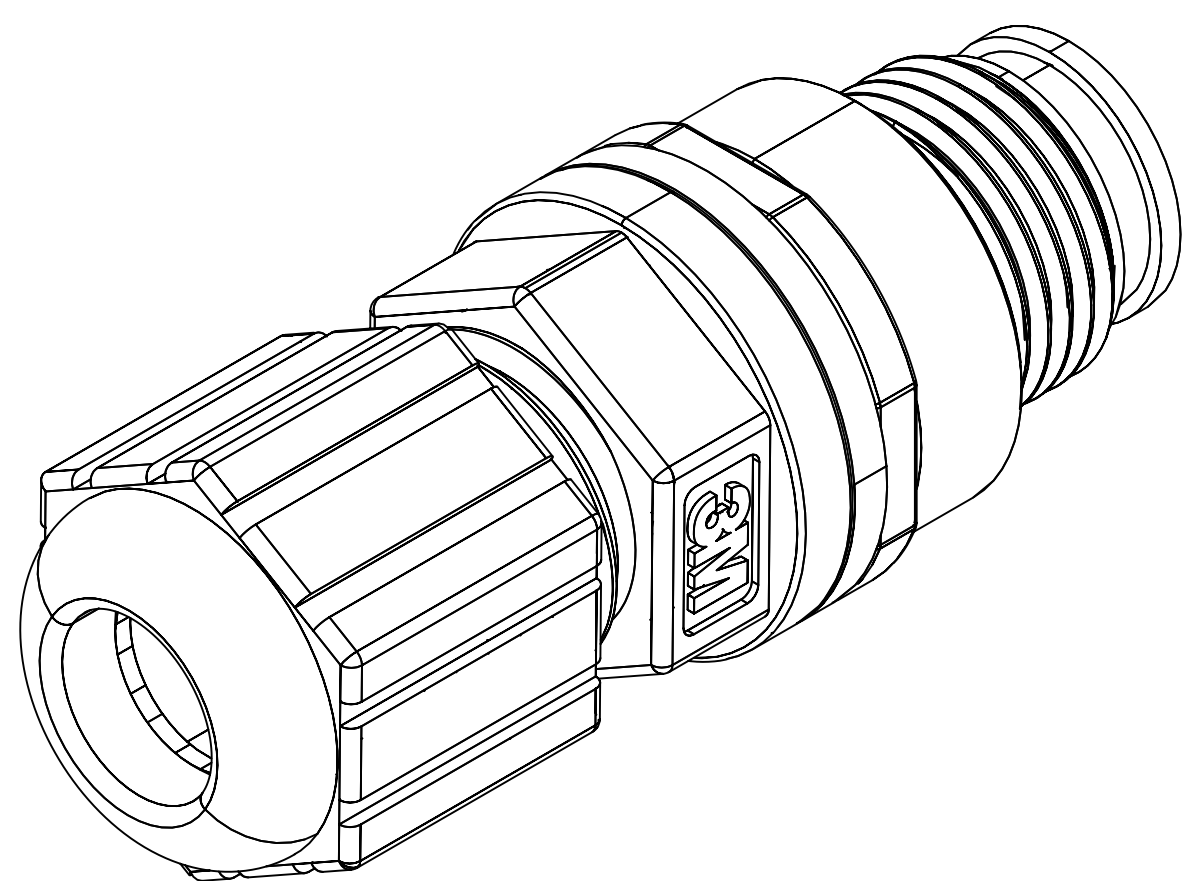
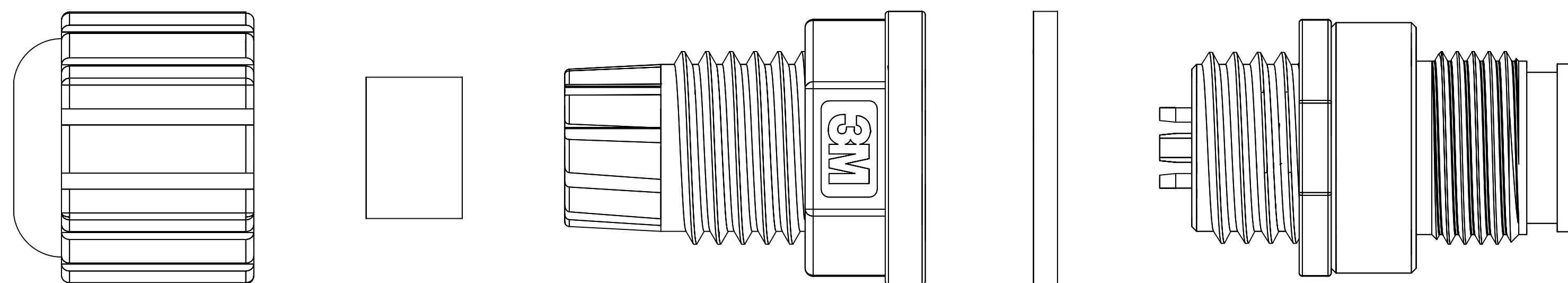
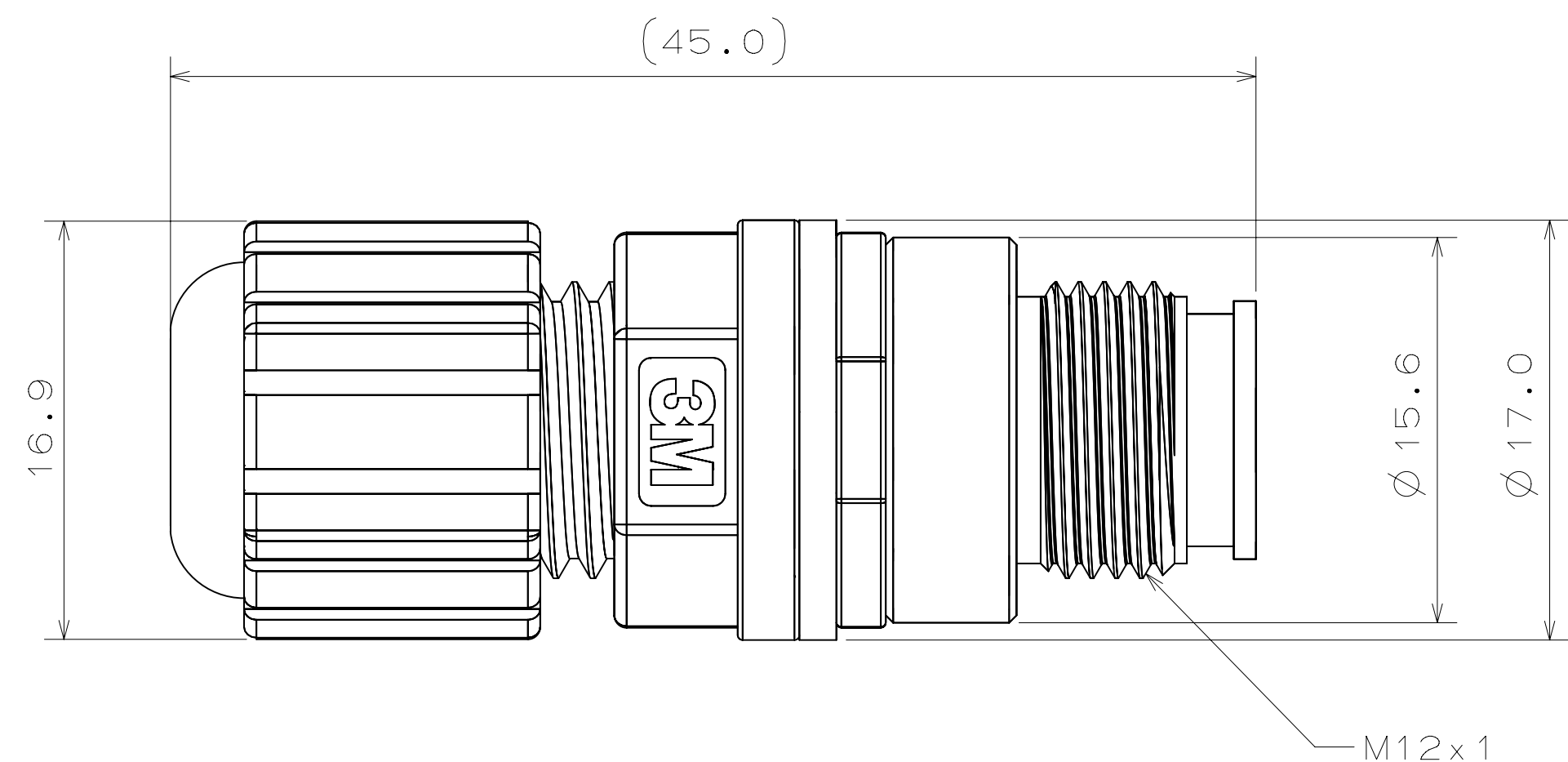


# 3M™ INDUSTRIAL M12 WM CONNECTOR

FOR 4POS, A-CODE, MALE, SOLDER TYPE



Pin Assignment

## PERFORMANCE

### 1) MECHANICAL

POLARIZING METHOD: 35N MIN.

CONTACT INSERTION FORCE: 10N/pin MAX.  
CONTACT WITHDRAWL FORCE: 15N/pin MAX.

WATERPROOF: IP68 (IN WATER 1mm DEPTH, 24H)

### 2) ELECTRICAL

CURRENT RATING: 4.0A

VOLTAGE RATING: 250VDC

WITHSTANDING VOLTAGE: 1000VACrms

INSULATION RESISTANCE:  $1 \times 10^9$  OHMS at 500VDC

CONTACT RESISTANCE:  
10 MILLI OHM AT INITIAL CONDITION  
DELTA R 15 MILLI OHM MAX. AFTER  
EVALUATION TEST BASED ON 78-5102-0150-8

### ENVIRONMENTAL

TEMPERATURE RATING: -25°C TO 85°C

### NOTE

FOR LOW TEMPERATURE LIMIT:  
EXCLUDING CABLE PERFORMANCE NO DEW CONDITION  
FOR HIGH TEMPERATURE LIMIT:  
INCLUDING TEMPERATURE RAISING BY CURRENT

## NOTES

- MATERIAL:  
BODY: THERMOPLASTIC, UL 94V0  
COVER: THERMOPLASTIC, UL 94V0  
GLAND NUT:  
THERMOPLASTIC, UL 94V0  
CONTACT: COPPER ALLOY
- PLATING  
CONTACT AREA: 0.2µm GOLD MIN.
- MATED WITH INDUSTRIAL M12 FEMALE CONNECTOR
- COMPATIBLE CABLE:  
1) WIRE  
AWG 20 STRANDED  
AWG 24 STRANDED  
2) CABLE OUTER DIAMETER  
4.0 to 6.5mm
- RoHS COMPLIANT.  
SEE THE REGULATORY INFORMATION APPENDIX (RIA) IN THE "RoHS COMPLIANCE" SECTION OF WWW.3MCONNECTORS.COM FOR COMPLIANCE INFORMATION (RIA E1 & C1 APPLY).
- FOR PRODUCT SPECIFICATIONS AND WARRANTY INFORMATION SEE 3M 78-5102-0150-8
- IN THE EVENT OF CONFLICT BETWEEN THIS DATA AND THAT CONTAINED IN THE PRODUCT SPECIFICATION, THE PRODUCT SPECIFICATION TAKES PRECEDENT.

## ORDERING INFORMATION M12 WM CONNECTOR

**3N1 04-A000-S08 BF**

PRODUCTION SERIES  
3N1: INDUSTRIAL M12 WM  
MALE CONNECTOR

PLATING SUFFIX  
BF: CONTACT AREA 0.2µm GOLD

CONTACT QUANTITY  
04: 4 PIN

IP CLASS  
8: IP68

CODE  
A: A CODE

WIRING METHOD  
S: SOLDER TYPE

3M™ ELECTRONIC SOLUTIONS DIVISION  
INTERCONNECT SOLUTIONS  
VISIT <http://www.3mconnectors.com>

3M IS A TRADEMARK OF 3M COMPANY.  
FOR TECHNICAL, SALES OR ORDERING INFORMATION  
CALL YOUR LOCAL SALES REPRESENTATIVE

DESIGN REFERENCE	NEXT ASSEMBLY	REV	ECO	ISSUE DATE AND DESCRIPTION	DRFT	CHKD
				SEP 06, 2012 PRODUCTION RELEASE	T.O	H.K
DIVISION: Interconnect Solutions SCALE: DO NOT SCALE DRAWING THIRD ANGLE PROJECTION MAX SURFACE ROUGHNESS: 0.13 <input checked="" type="checkbox"/> MARKED ONLY		DIVISION CODE: ISD TOLERANCES EXCEPT AS NOTED INCHES: .00 ±, .000 ±, .0000 ± MILLIMETERS: 0 ±, .0 ±, .03 ±, .13 ±		REV: 1 DATE: SEP 06, 2012 APPV: H.KOSUGI DATE: SEP 06, 2012 CAGE NUMBER: D78-5100-2559-2 MODEL:		

78-5100-2559-2  
DRAWING NUMBER

A