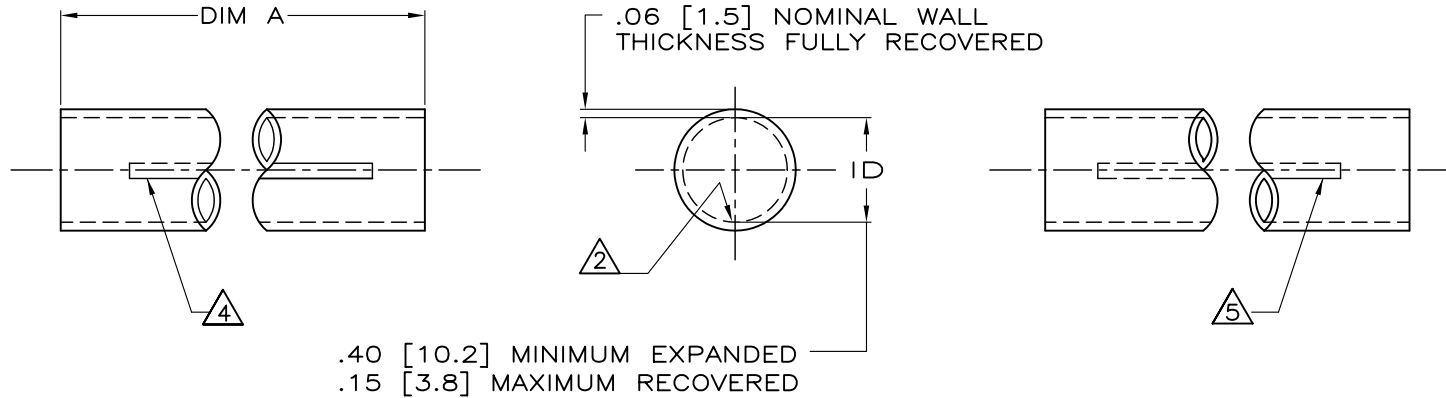


REVISIONS		
REV	DESCRIPTION	DATE
H	REVISED PER DCR R040565	07/07/2004



NOTES:

1. MATERIAL COMPLIES WITH MIL-23053/15-108-0.
2. SEALANT APPLIED THROUGHOUT TOTAL LENGTH OF INSIDE DIAMETER.
3. DIMENSIONS APPLY WITHOUT SEALANT.
4. PRODUCT IS MARKED "AMP MIL-23053/15-108-0 90°C 600V MAXIMUM" IN WHITE CHARACTERS ON SURFACE INDICATED.
5. PRODUCT IS MARKED "AMP 608504 .40-.15"/10.2-3.8mm 8-6 AWG", WITH DATE CODE, IN WHITE CHARACTERS ON SURFACE INDICATED.
6. WEIGHT PER LINEAR FOOT/304.8mm: .03 POUNDS/13.6 GRAMS.

If this document is printed it becomes uncontrolled.
Check for the latest revision.

PRELIMINARY	1.38 - 1.63 [34.9 - 41.3]	608504-4
	48.00 - 49.00 [1219.2 - 1244.6]	608504-2
	11.81 - 12.19 [300.0 - 309.6]	608504-1
	DIMENSION A (LENGTH)	PART NO

SPECIFICATION CONTROL DRAWING

UNLESS OTHERWISE SPECIFIED DIMENSIONS ARE IN INCHES. METRIC DIMENSIONS ARE IN BRACKETS. DECIMALS .XXX ± .005 [0.13 mm] .XX ± .01 [0.25 mm] .X ± .1 [2.54 mm] ANGLES .X ± 0.5 DEG	DRAWN	UNGUYEN	07/07/2004	Tyco Electronics Corporation 300 Constitution Drive Menlo Park, CA. USA 94025 		
	CHECKED					
	APPROVED	JKUSTER	07/07/2004	TITLE		
	APPROVED			TUBING, HEAT SHRINK, AMPSULATION, MHWP31, .40 DIA.		
	CAD NAME	R040565		SIZE	CODE IDENT. NO.	DWG. NO.
	THIRD ANGLE PROJECTION			B	06090	C-608504
				DO NOT SCALE THIS DRAWING		SHEET 1 OF 1