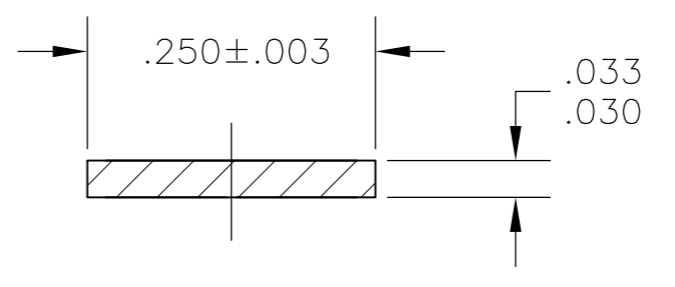
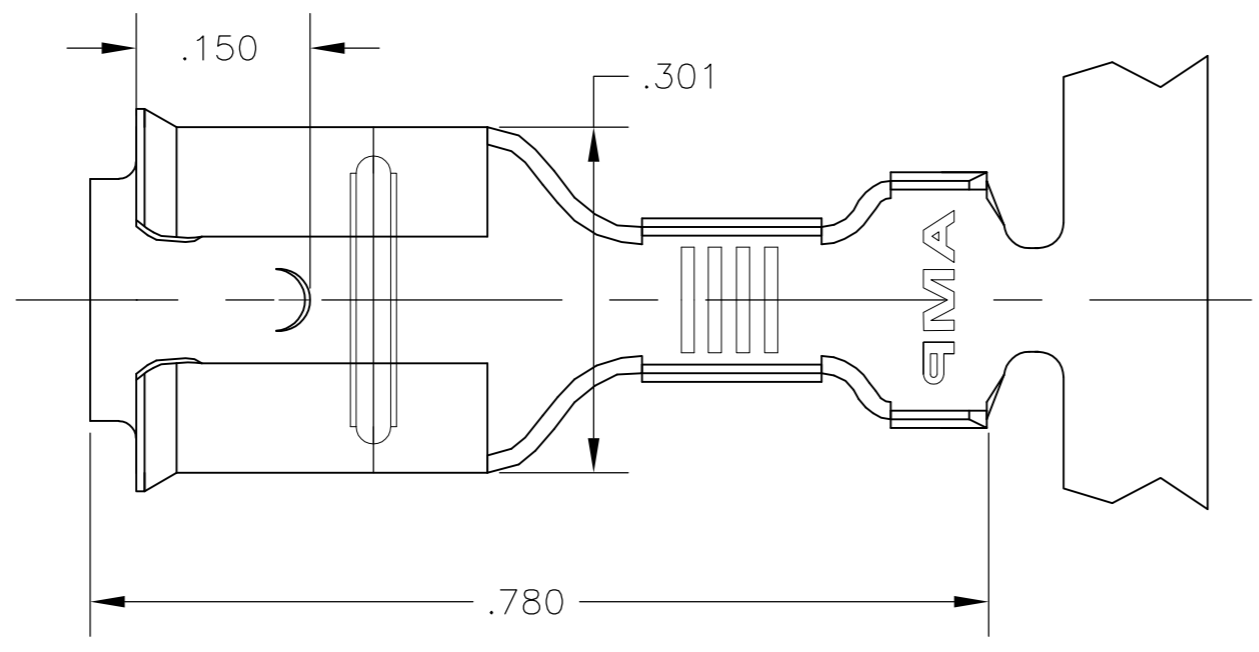


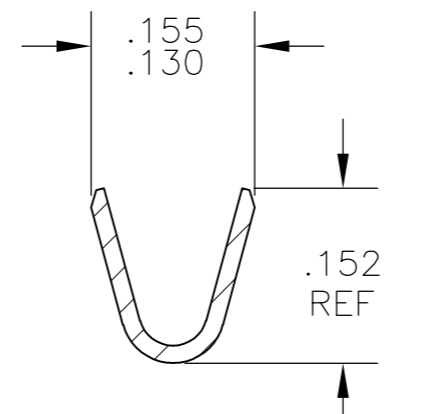
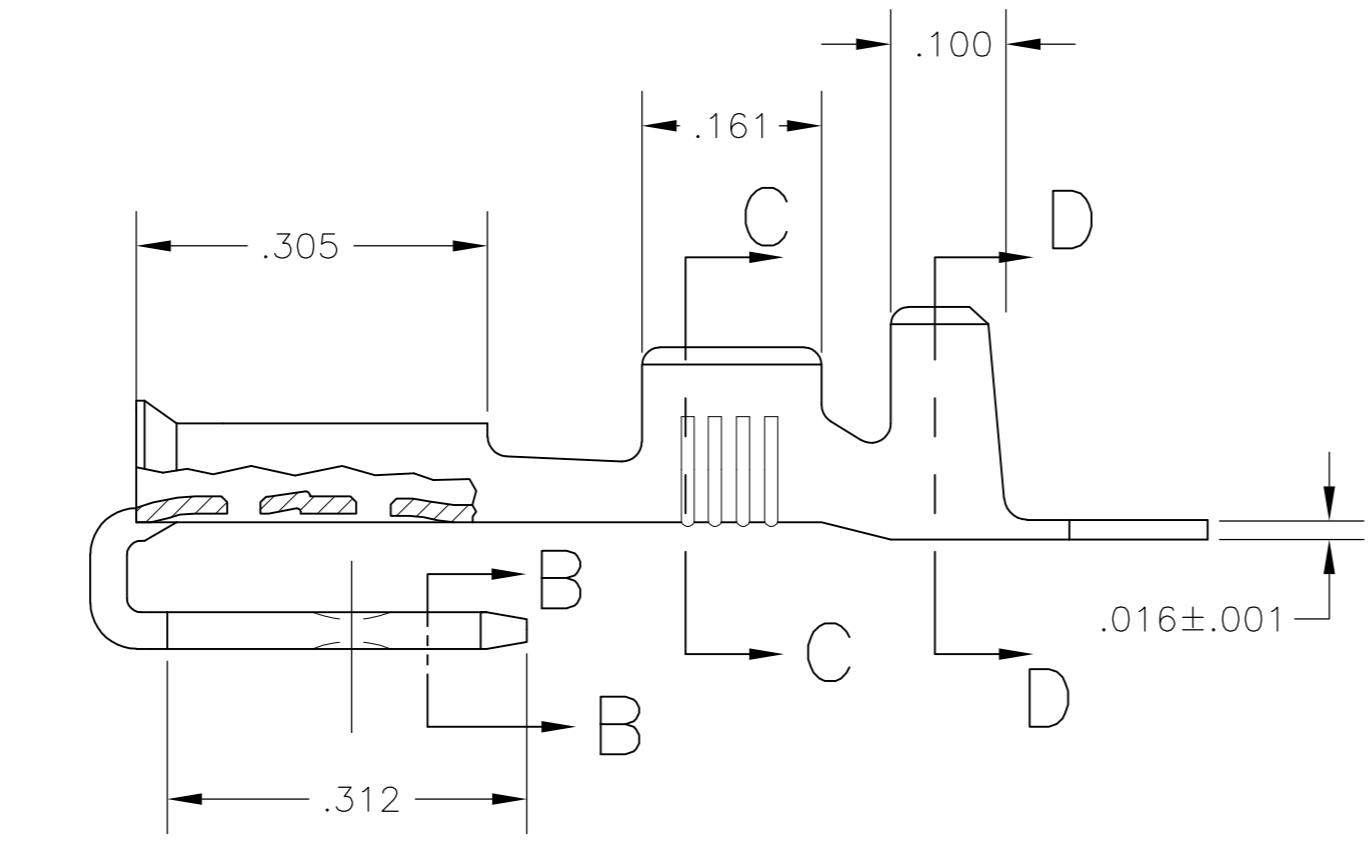
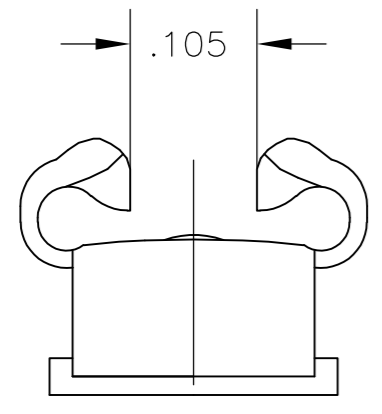
THIS DRAWING IS UNPUBLISHED. RELEASED FOR PUBLICATION  
 © COPYRIGHT - By - ALL RIGHTS RESERVED.

LOC	DIST	REVISIONS			
P	LTR	DESCRIPTION	DATE	DWN	APVD
AF	50	J	REVISED PER ECR-12-013459	27NOV2012	KH PD

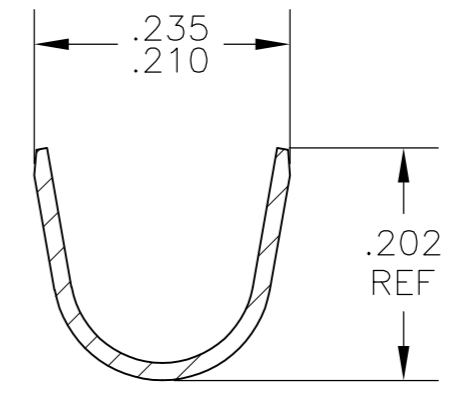
- 1 CONTINUOUS STRIP ON REELS
- 2 MATING TAB THK IS  $.032 \pm .001$ .
- 3 WIRE SIZE IS #18-#14 AWG  
CRIMP WIDTH IS .110, F TYPE
- 4 INSULATION RANGE IS .120-.170 DIA.  
CRIMP WIDTH IS .180, F TYPE



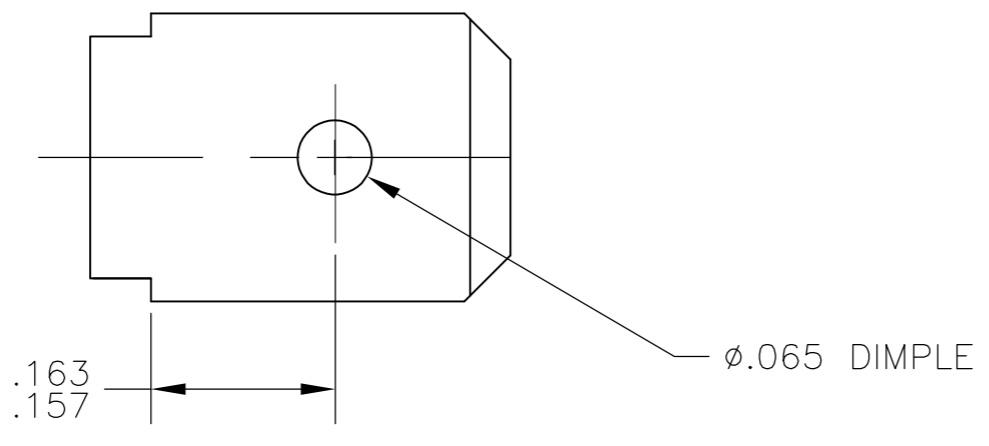
SECTION B-B



SECTION C-C



SECTION D-D



BRASS / TIN	62109-2
BRASS / PLAIN	62109-1
MATL. / FINISH	PART NO.

THIS DRAWING IS A CONTROLLED DOCUMENT.		DWN	JR RUTH	29JUL02		TE Connectivity																				
DIMENSIONS: INCHES		CHK	P DESANTIS	29JUL02		NAME																				
TOLERANCES UNLESS OTHERWISE SPECIFIED:		APVD	P DESANTIS	29JUL02		RECEPTACLE, FASTON, PIGGYBACK, 250 SERIES																				
<table border="1"> <tr><td>0 PLC</td><td>±</td><td>-</td></tr> <tr><td>1 PLC</td><td>±</td><td>-</td></tr> <tr><td>2 PLC</td><td>±</td><td>-</td></tr> <tr><td>3 PLC</td><td>±</td><td>.015</td></tr> <tr><td>4 PLC</td><td>±</td><td>-</td></tr> <tr><td>ANGLES</td><td>±</td><td>-</td></tr> </table>		0 PLC	±	-		1 PLC	±	-	2 PLC	±	-	3 PLC	±	.015	4 PLC	±	-	ANGLES	±	-	PRODUCT SPEC		SIZE		CAGE CODE	DRAWING NO
0 PLC	±	-																								
1 PLC	±	-																								
2 PLC	±	-																								
3 PLC	±	.015																								
4 PLC	±	-																								
ANGLES	±	-																								
MATERIAL: SEE TABLE		FINISH: SEE TABLE		APPLICATION SPEC: 114-2082		A2 00779 C-62109		-																		
CUSTOMER DRAWING				WEIGHT: -	SCALE: 6:1	SHEET: 1 of 1	REV: J																			