

## HIGH EFFICIENCY FAST RECOVERY DIODES

### MAIN PRODUCTS CHARACTERISTICS

$I_{F(AV)}$	8 A
$V_{RRM}$	200 V
$T_j(\text{max})$	150°C
$V_F(\text{max})$	0.99 V
$t_{rr}(\text{max})$	30 ns

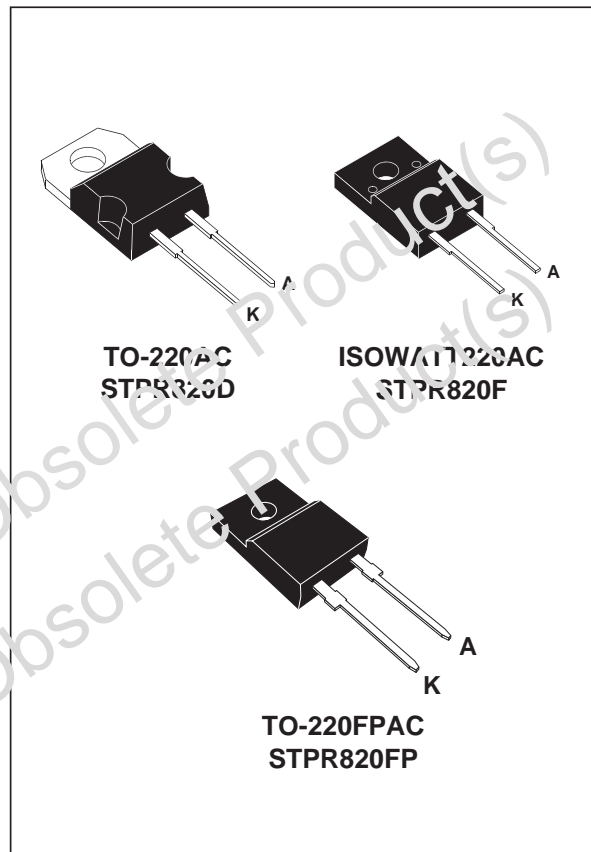
### FEATURES

- Suited for SMPS
- Very low forward losses
- Negligible switching losses
- High surge current capability
- Insulated packages:  
ISOWATT220AC / TO-220FPAC  
Insulation voltage = 2000V DC  
Capacitance = 12pF

### DESCRIPTION

Low cost single chip rectifier suited for Switched Mode Power Supplies and high frequency DC to DC converters.

Packaged in TO-220AC, TO-220FPAC and ISOWATT220AC, this device is intended for use in low voltage, high frequency inverters, free wheeling and polarity protection applications.



Symbol	Parameter		Value	Unit
$V_{RRM}$	Repetitive peak reverse voltage		200	V
$I_{F(RMS)}$	RMS forward current		20	A
$I_{F(AV)}$	Average forward current $\delta = 0.5$	TO-220AC	8	A
		ISOWATT220AC TO-220FPAC		
$I_{FSM}$	Surge non repetitive forward current		80	A
$T_{stg}$	Storage temperature range		- 65 to + 150	°C
$T_j$	Maximum operating junction temperature		+ 150	

# STPR820D/F/FP

## THERMAL RESISTANCES

Symbol	Parameter		Value	Unit
$R_{th(j-c)}$	Junction to case	TO-220AC	3.0	°C/W
		ISOWATT220AC / TO-220FPAC	5.5	

## STATIC ELECTRICAL CHARACTERISTICS

Symbol	Parameters	Test conditions		Min.	Typ.	Max.	Unit
$I_R^*$	Reverse leakage current	$T_j = 25^\circ\text{C}$	$V_R = V_{RRM}$			50	$\mu\text{A}$
		$T_j = 100^\circ\text{C}$				0.6	$\text{mA}$
$V_F^{**}$	Forward voltage drop	$T_j = 125^\circ\text{C}$	$I_F = 8\text{ A}$			0.99	V
		$T_j = 125^\circ\text{C}$	$I_F = 16\text{ A}$			1.20	
		$T_j = 25^\circ\text{C}$	$I_F = 16\text{ A}$			1.25	

Pulse test : \*  $t_p = 5\text{ ms}$ ,  $\delta < 2\%$

\*\*  $t_p = 380\ \mu\text{s}$ ,  $\delta < 2\%$

To evaluate the conduction losses use the following equation :

$$P = 0.78 \times I_F(\text{AV}) + 0.026 \times I_F^2(\text{RMS})$$

## RECOVERY CHARACTERISTICS

Symbol	Test conditions			Min.	Typ.	Max.	Unit
$t_{rr}$	$T_j = 25^\circ\text{C}$	$I_F = 0.5\text{ A}$ $I_R = 1\text{ A}$	$I_{rr} = 0.25\text{ A}$			30	ns
$t_{fr}$	$T_j = 25^\circ\text{C}$	$I_F = 1\text{ A}$ $V_{FR} = 1.1 \times V_F \text{ max}$	$t_r = 10\text{ ns}$		20		
$V_{FP}$	$T_j = 25^\circ\text{C}$	$I_F = 1\text{ A}$	$t_r = 10\text{ ns}$		3		V

Fig. 1: Average forward power dissipation versus average forward current.

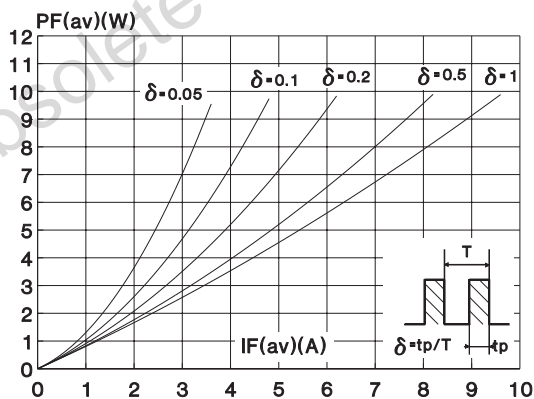
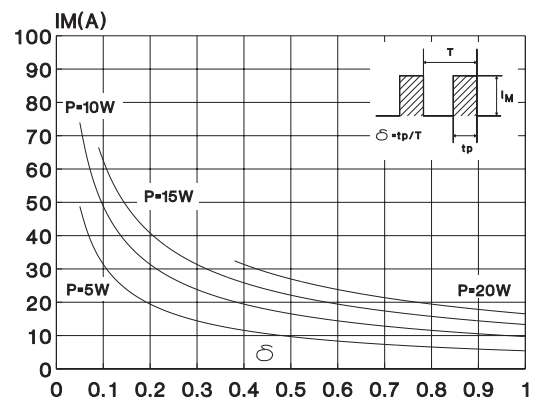
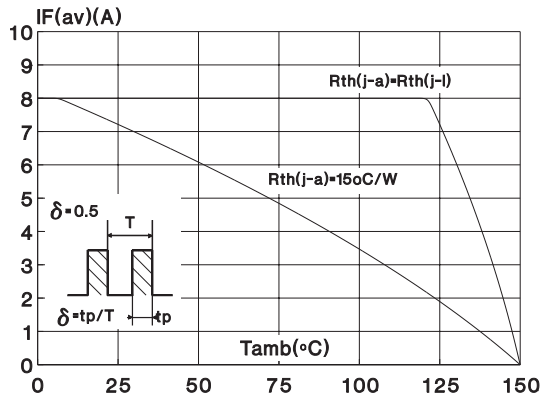


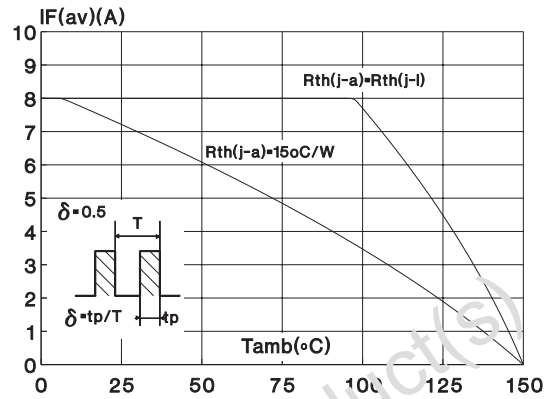
Fig. 2: Peak current versus form factor.



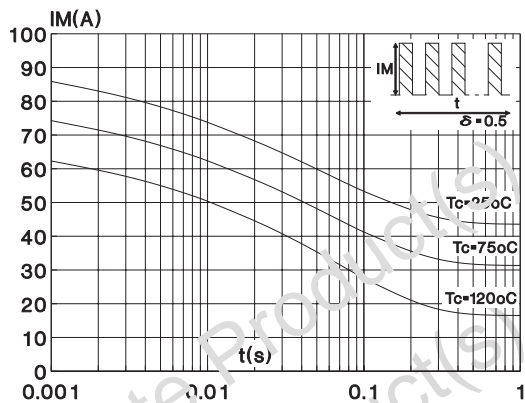
**Fig. 3:** Average current versus ambient temperature.



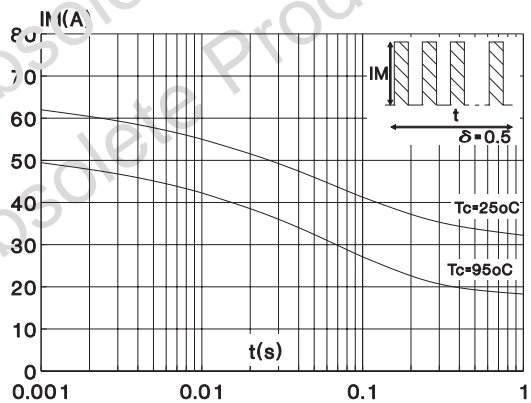
**Fig. 4:** Average current versus ambient temperature.



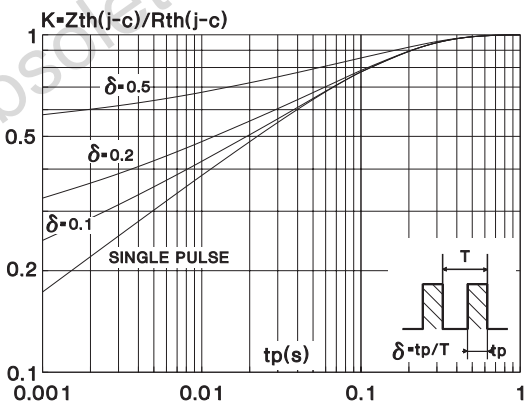
**Fig. 5:** Non repetitive surge peak forward current versus overload duration (maximum values) (TO-220AC).



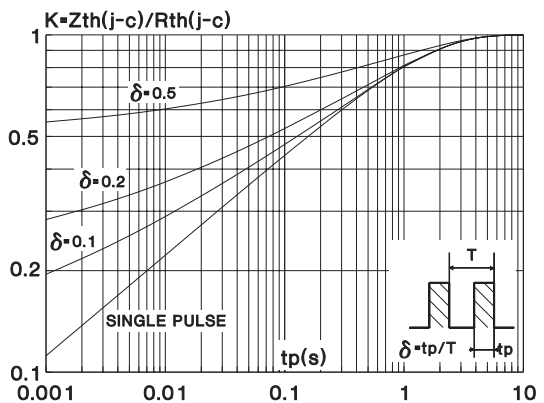
**Fig. 6:** Non repetitive surge peak forward current versus overload duration (maximum values) (ISOWATT220AC, TO-220FPAC).



**Fig. 7:** Relative variation of thermal transient impedance junction to case versus pulse duration (TO-220AC).

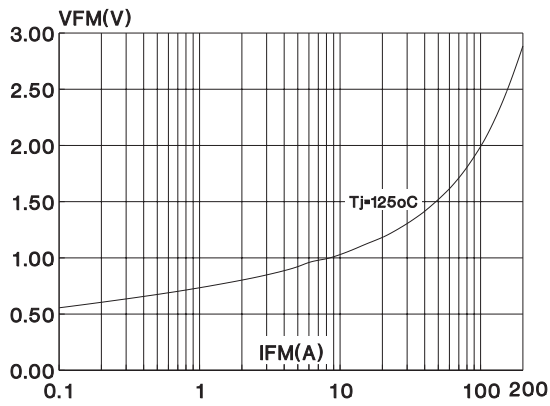


**Fig. 8:** Relative variation of thermal transient impedance junction to case versus pulse duration (ISOWATT220AC, TO-220FPAC).

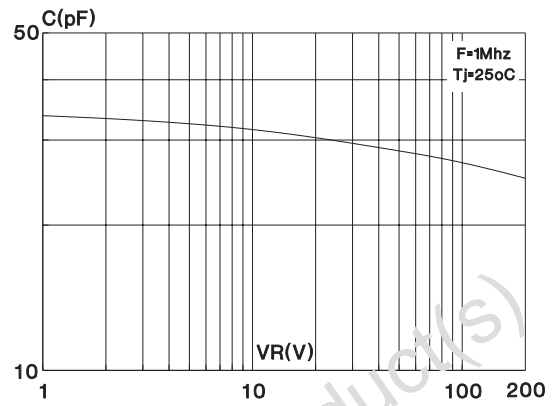


# STPR820D/F/FP

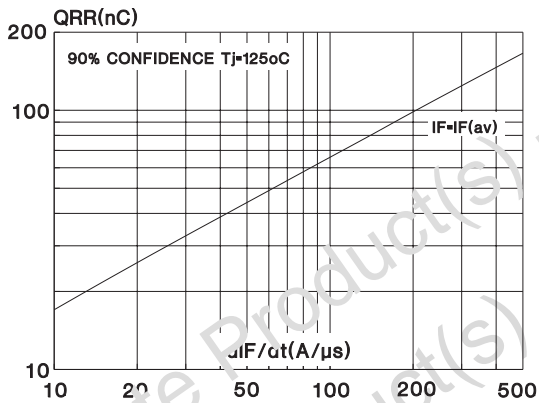
**Fig. 9:** Forward voltage drop versus forward current.



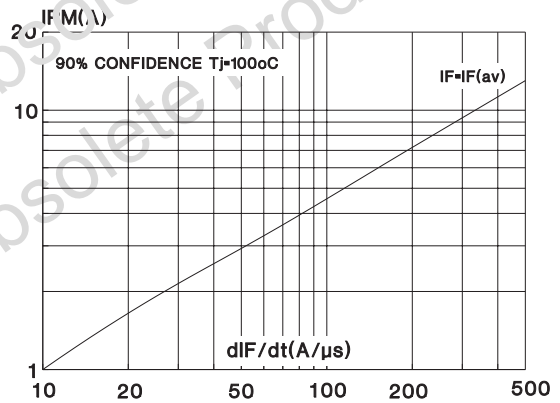
**Fig. 10:** Junction capacitance versus reverse voltage applied (typical values).



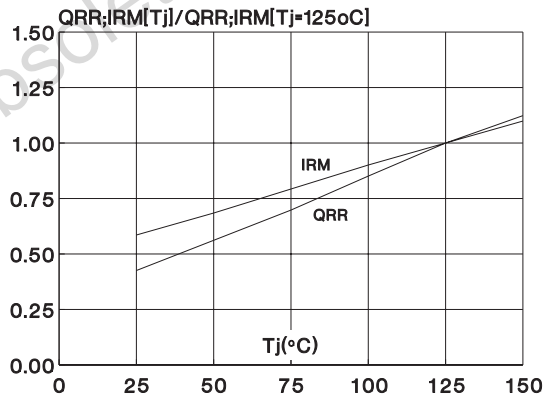
**Fig. 11:** Recovery charge versus  $dI_F/dt$ .



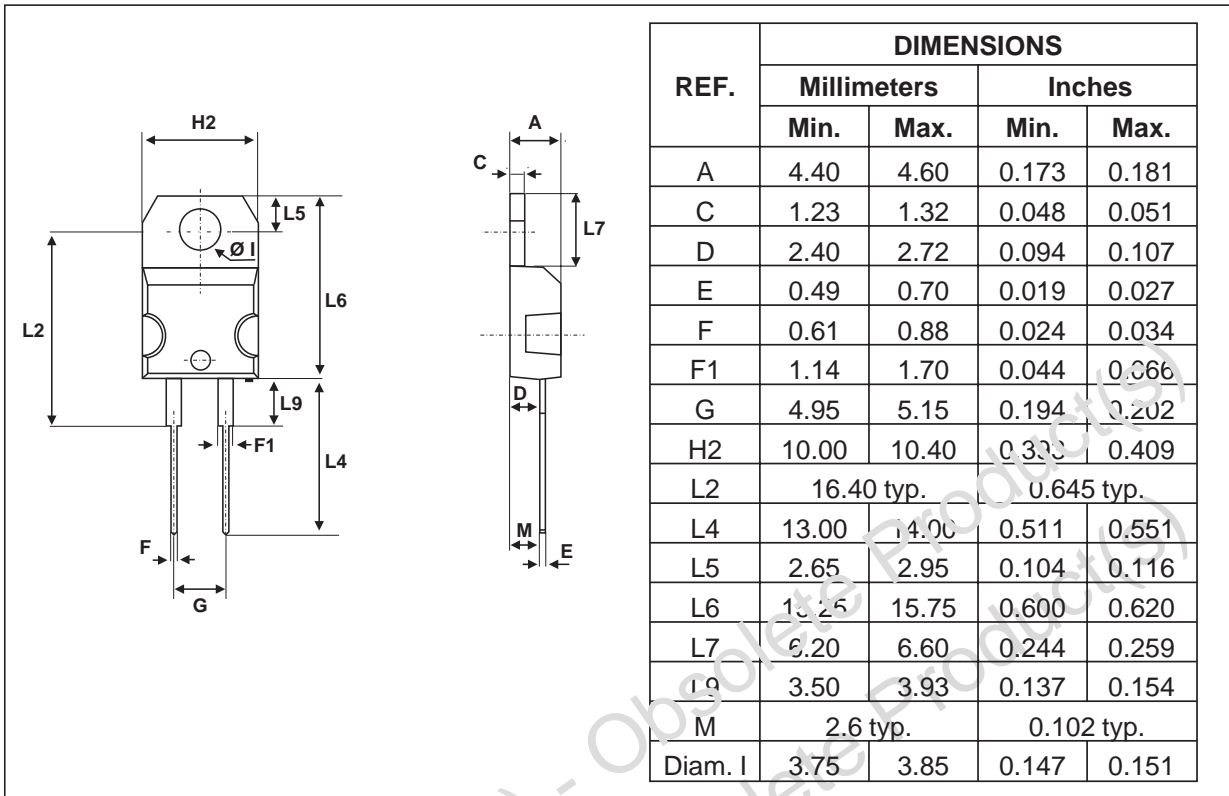
**Fig. 12:** Peak reverse current versus  $dI_F/dt$ .



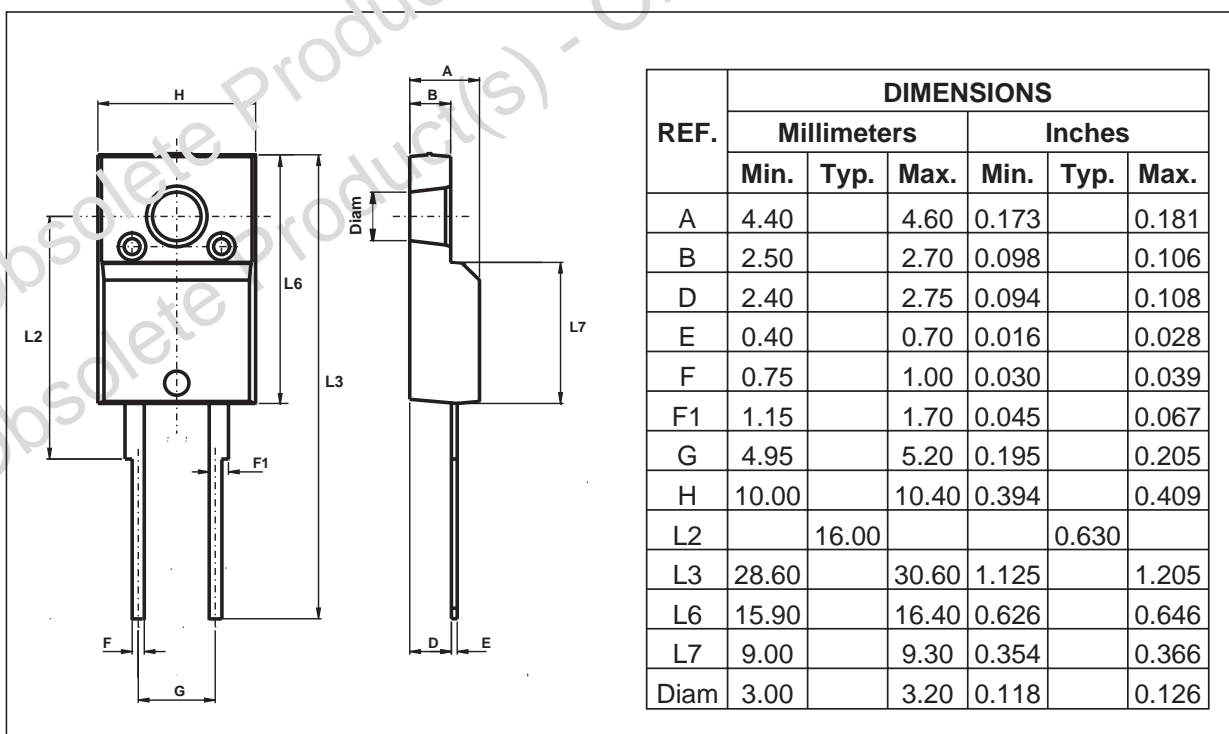
**Fig. 13:** Dynamic parameters versus junction temperature.



**PACKAGE MECHANICAL DATA**  
TO-220AC

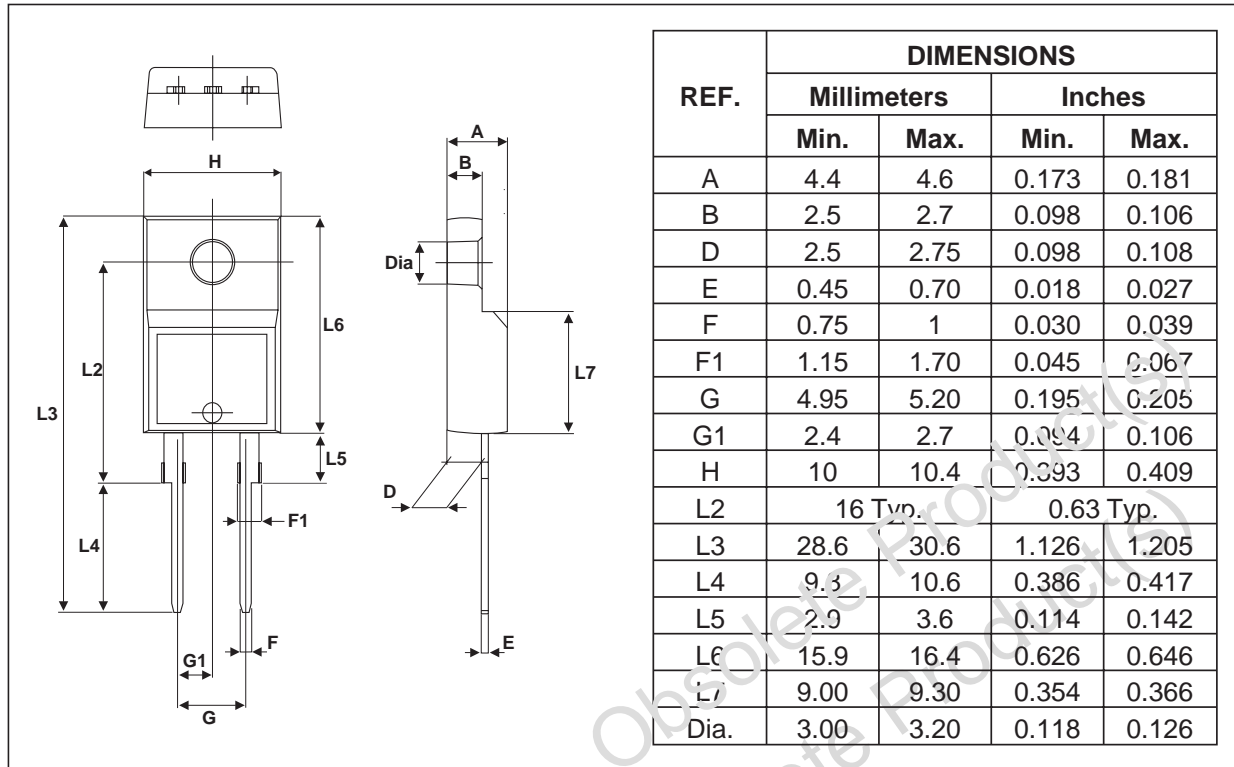


**PACKAGE MECHANICAL DATA**  
ISOWATT220AC



# STPR820D/F/FP

## PACKAGE MECHANICAL DATA TO-220FPAC



Type	Marking	Package	Weight	Base Qty	Delivery mode
STPR820D	STPR820L	TO-220AC	1.86	50	Tube
STPR820F	STPR820F	ISOWATT220AC	2.2	50	Tube
STPR820FP	STPR820FP	TO-220FPAC	2	50	Tube

- Cooling method: by conduction (C)
- Recommended torque value (ISOWATT220AC, TO-220FPAC): 0.55 nm
- Maximum torque value (ISOWATT220AC, TO-220FPAC): 0.7 Nm
- Recommended torque value (TO-220AC): 0.8 Nm
- Maximum torque value (TO-220AC): 1.0 Nm
- Epoxy meets UL94, V0

Information furnished is believed to be accurate and reliable. However, STMicroelectronics assumes no responsibility for the consequences of use of such information nor for any infringement of patents or other rights of third parties which may result from its use. No license is granted by implication or otherwise under any patent or patent rights of STMicroelectronics. Specifications mentioned in this publication are subject to change without notice. This publication supersedes and replaces all information previously supplied. STMicroelectronics products are not authorized for use as critical components in life support devices or systems without express written approval of STMicroelectronics.

The ST logo is a registered trademark of STMicroelectronics  
 © 2002 STMicroelectronics - Printed in Italy - All rights reserved.  
 STMicroelectronics GROUP OF COMPANIES  
 Australia - Brazil - Canada - China - Finland - France - Germany  
 Hong Kong - India - Israel - Italy - Japan - Malaysia - Malta - Morocco - Singapore  
 Spain - Sweden - Switzerland - United Kingdom - United States.

<http://www.st.com>

