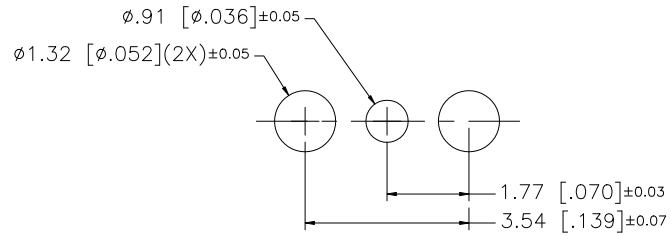


REV.	DATE	ECR NO.	DESCRIPTION
NC	04/27/02	-	INITIAL RELEASE
A	02/25/09	100084	REVISE BODY DIAMETER TO 4.5, BODY LENGTH TO 7.4



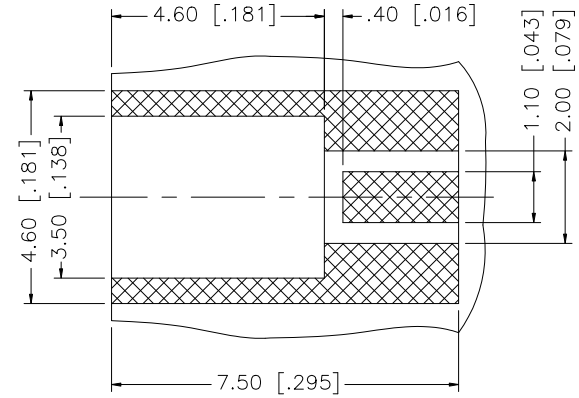
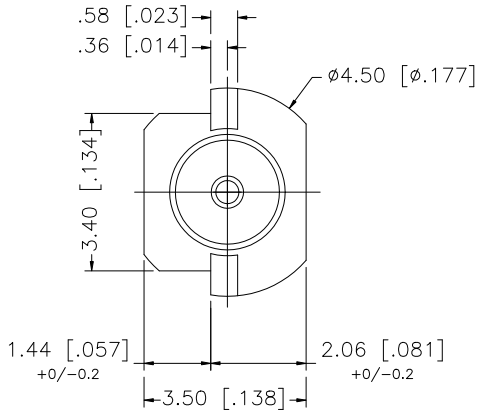
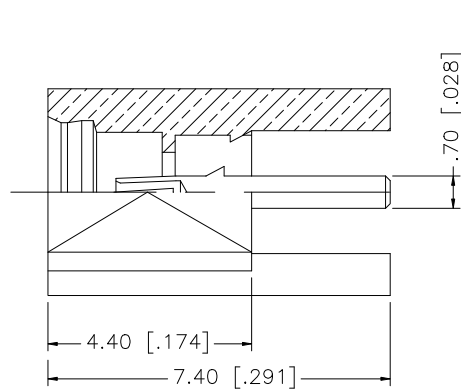
PCB MOUNTING HOLE



PATTERN



LAND (FREE OF SOLDER MASK)



RECOMMENDED MOUNTING HOLE

8				
7				
6				
5				
4				
3	CONTACT PIN	BER. COPPER	GOLD	1
2	INSULATOR	PTFE	NATURAL	1
1	BODY	BRASS	GOLD	1
	DESCRIPTION	MATERIAL	FINISH	QTY

UNLESS OTHERWISE SPECIFIED DIMENSIONS ARE IN MILLIMETERS. DIMENSIONS IN [ ] ARE IN INCHES AND FOR CUSTOMER REFERENCE ONLY.

UNLESS OTHERWISE SPECIFIED TOLERANCES FOR MILLIMETERS ARE:  
 0.5 - 8mm ± 0.20mm  
 8 - 30mm ± 0.40mm  
 30 - 120mm ± 0.50mm

UNLESS OTHERWISE SPECIFIED TOLERANCES FOR INCHES ARE:  
 .020 - .315 = ± 0.007"  
 .315 - 1.180 = ± 0.015"  
 1.180 - 4.724 = ± 0.020"

DO NOT SCALE DRAWING

APPROVALS		DATE
DRAWN	GRS	02/25/09
CHECKED		
ISSUED		
SHEET	1 OF 1	
CAD FILE		
C:/262/262107-10.DWG		

# Amphenol Connex

PART DESCRIPTION

MMCX EDGE CARD JACK

PART NO.

262107-10

DWG. NO.

262107-10.DWG

REV. A

SIZE A

SCALE NA