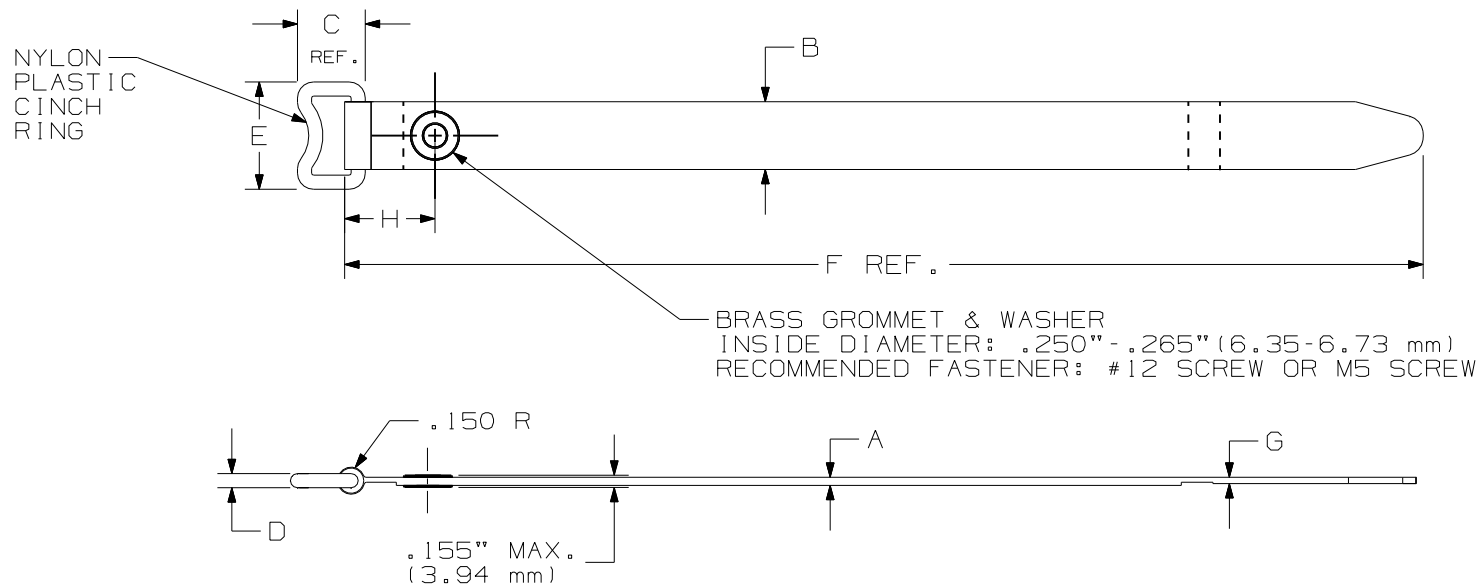


THIS COPY IS PROVIDED ON A RESTRICTED BASIS AND IS NOT TO BE USED IN ANY WAY DETRIMENTAL TO THE INTERESTS OF PANDUIT CORP.



PANDUIT PART NO.	BUNDLE DIA.		A in (mm)	B in (mm)	C in (mm)	D in (mm)	E in (mm)	F in (mm)	G in (mm)	H in (mm)	MIN. LOOP TENSILE lbs. (N)	CROSS SECTION	APPROXIMATE WEIGHT lbs/100 PIECES (g)
	MIN. in (mm)	MAX. in (mm)											
GCTC3S	2.25 (57.1)	3.0 (76.2)	.100 (2.5)	.75 (19.1)	.750 (19.1)	.156 (4.0)	1.10 (27.9)	12.0 (305)	.100 (2.5)	1.00 (25.4)	30 (133)	STANDARD	.93 (420)
GCTC5S	3.25 (82.5)	5.0 (127)	.100 (2.5)	.75 (19.1)	.750 (19.1)	.156 (4.0)	1.10 (27.9)	18.0 (457)	.100 (2.5)	1.00 (25.4)	50 (222)	STANDARD	1.05 (478)

NOTES:

- 1) SEE CURRENT PRICE SHEET FOR PART NUMBER SUFFIX DESIGNATION FOR PACKAGE SIZE AND COLOR.
- 2) MINIMUM 2" OVERLAP REQUIRED TO ACHIEVE LOOP TENSILE RATING.

DIMENSIONS IN PARENTHESIS ARE IN METRIC UNITS.

SS\_27301\_00.prt

PANDUIT CORP. TINLEY PARK, ILLINOIS

TAK-TY HOOK & LOOP CABLE TIES  
GROMMET CINCH TIE CENTER MOUNT

UNLESS OTHERWISE SPECIFIED,  
DIMENSIONAL TOLERANCES ARE:  
(.X) ± .25 (.XXX) ± .030  
(.XX) ± .125 ANGLES ±

UNLESS OTHERWISE SPECIFIED,  
ALL DIMENSIONS ARE GIVEN  
IN INCHES, THIRD ANGLE PROJECTION.

DRAWN BY  
MIR

MAT'L:

SCALE  
NONE

DATE  
3/1/01

WOVEN NYLON  
HOOK/LOOP  
COLOR: BLACK  
EXCEPT GROMMET

DRAWING NO.

SS-27301

DWG  
A  
SIZE

7	6/5/06	FAB		ADDED PART WEIGHTS TO DRAWING	27301	7							
REV	DATE	BY	CHK	DESCRIPTION	ECN	R	CUST	SUP					