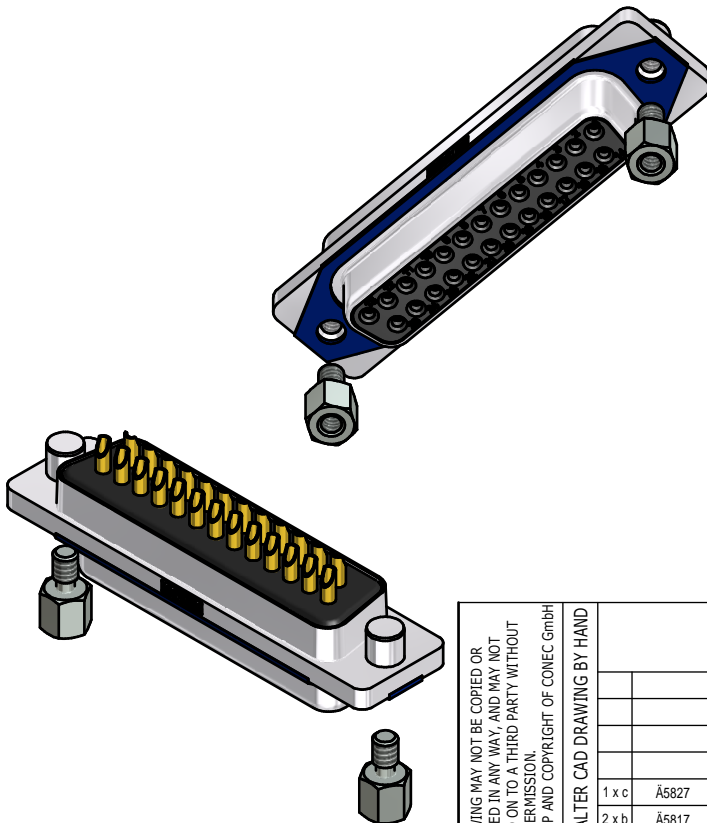
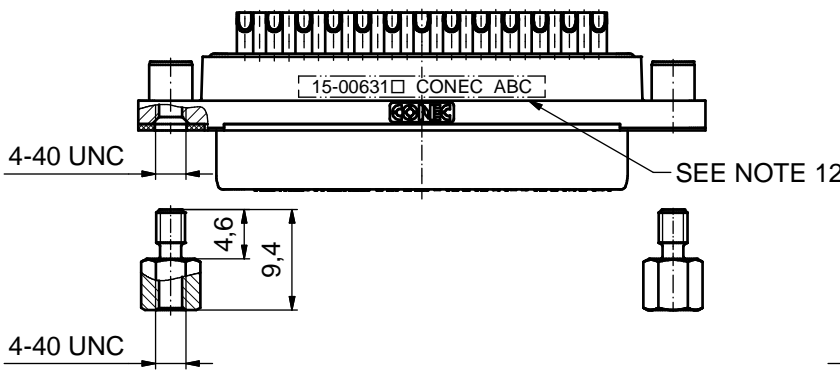
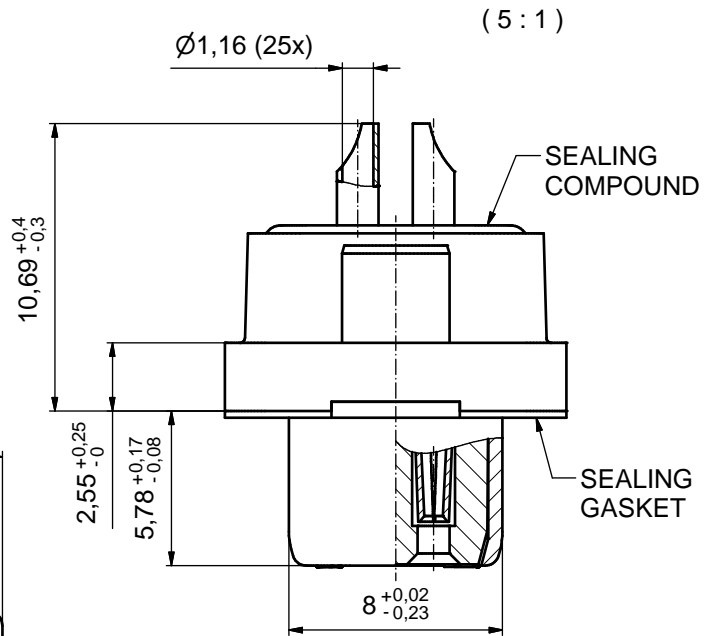
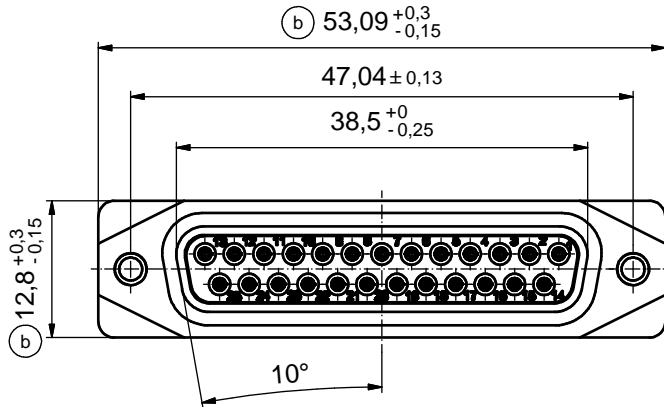


AT ALL TIMES WATER RESISTANT CONNECTORS NOT IN USE SHOULD BE COVERED WITH A CONEC WATER RESISTANT CAP OR WATER TIGHT HOOD.



RoHS compliant

NOTES:

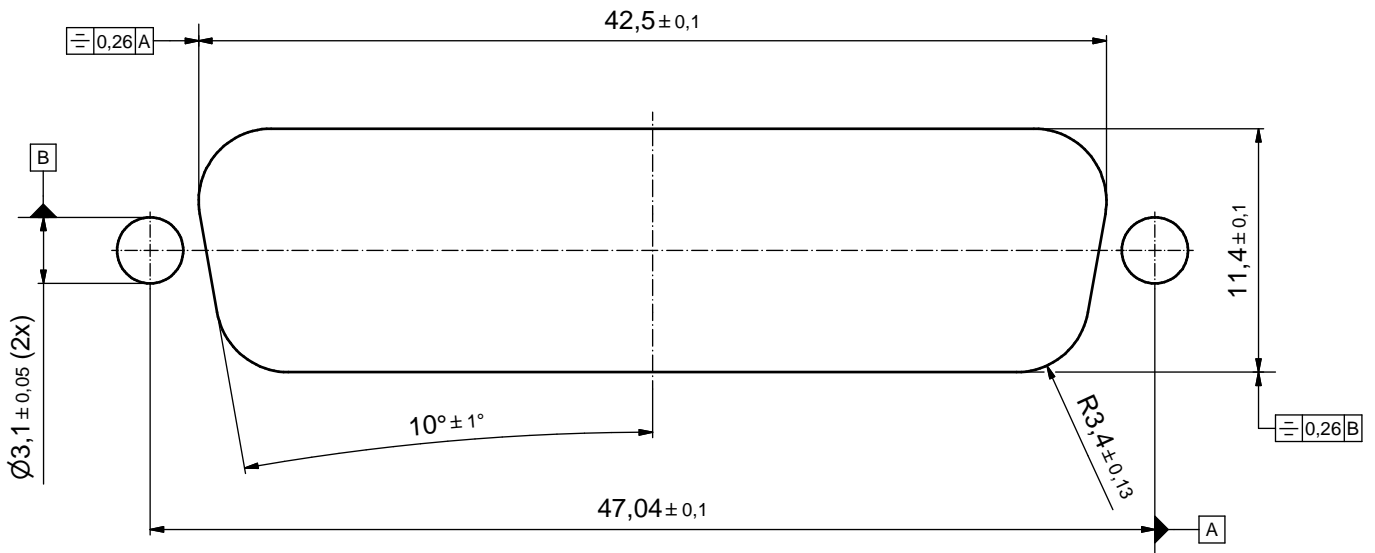
- RECOMMENDED SOLDER INSTRUCTION SEE SHEET 2
- IP RATING: IP 67
- SEALED TO WITHSTAND PRESSURE UP TO 1,45 PSI FOR 30 MINUTES AFTER SOLDERING
- METAL SHELL: ZINC DIE CAST; min. 50µm NICKEL PLATING over COPPER
- INSULATORS: PBT GF UL 94 V-0; BLACK
- SEALING GASKET: SILICONE; BLUE
- SEALING COMPOUND: EPOXY RESIN UL 94 V-0; BLACK
- CONTACTS: COPPER ALLOY; PLATING (SEE PART-NO.):  
 PLEASE ADD 1 for 30µm HARD GOLD over min. 50µm NICKEL  
 PLEASE ADD 3 for GOLD FLASH over NICKEL  
 SOLDER CUP ACCEPTS CABLE AWG 20
- HEXLOCKING SCREWS: STAINLESS STEEL
- RECOMMENDED PANEL CUT-OUT ON SHEET 2
- RECOMMENDED TORQUE FOR MOUNTING SCREW  
 35Ncm (3.1 in.LB) / max. 67Ncm (6 in.LB)
- CONNECTOR IS PART MARKED: [15-00631] CONEC ABC (see note 8)

THIS DRAWING MAY NOT BE COPIED OR REPRODUCED IN ANY WAY, AND MAY NOT BE PASSED ON TO A THIRD PARTY WITHOUT WRITTEN PERMISSION. OWNERSHIP AND COPYRIGHT OF CONEC GmbH DO NOT ALTER CAD DRAWING BY HAND				tolerance		dim. in mm	scale: 2:1 (5:1)	
				date			material: SEE NOTES	
				drawn	23.09.14	name		title: <b>D-SUB FEMALE</b> 25pos. SOLDER CUP with closed 4-40 UNC thread
				appd.	26.01.15	Fischer		
				norm			dwg no: <b>15K1A1538</b>	
1 x c	Ä5827	25.09.15	Unkrüer	d-old				
2 x b	Ä5817	15.09.15	M.H.			sh: 1		
a	Original					part no: <b>15-00631</b> (see note 8)		
rev.	description	date	name	<b>CONEC</b>				

### © Solder Instruction

1. Cable should be prepared for soldering. The cable/wires must be pretinned.
2. Insert cable/wire into solder cup.
3. Operate the soldering iron at 350°C, 50 Watt max. and use a pencil tip.
4. Apply some solder to the solder tip of the soldering iron.
5. Put tip to wire in solder cup.
6. After 1 second bring in solder.
7. Heat for 3 seconds longer. Do not heat contact more than 4 seconds in total.
8. Remove soldering iron.
9. Wait until solder gets rigid again.
10. Do not solder adjacent contacts consecutively, alternate position within the connector to minimize heat build up.

### RECOMMENDED PANEL CUT-OUT



THIS DRAWING MAY NOT BE COPIED OR REPRODUCED IN ANY WAY, AND MAY NOT BE PASSED ON TO A THIRD PARTY WITHOUT WRITTEN PERMISSION. OWNERSHIP AND COPYRIGHT OF CONEC GmbH DO NOT ALTER CAD DRAWING BY HAND				tolerance		scale: 4:1	
				date	name	material: SEE SHEET 1	
				drawn	23.09.14	Lehmenkühler	
				appd.	26.01.15	Fischer	
				norm			
			d-old			title: RECOMMENDED PANEL CUT-OUT D-SUB FEMALE 25pos. SOLDER CUP with closed 4-40 UNC thread	
1 x c	Ä5827	25.09.15	Unkrüer	<b>CONEC</b> <sup>®</sup>		dwg no: 15K1A1538	DIN-A3
a	Original					sh: 2	
rev.	description	date	name			part no: SEE SHEET 1	