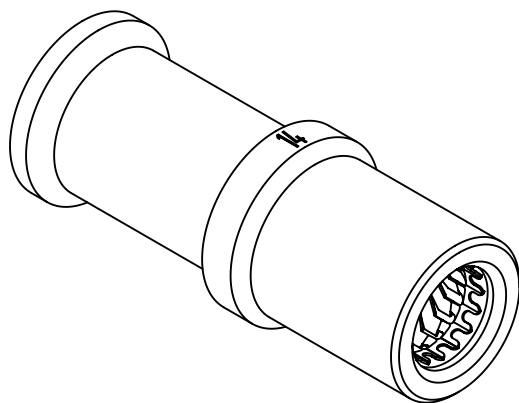



assembly notes see catalog
 crimp zone acc. to DIN EN 46235; indicator 14
 for stranded fine wire acc. to VDE 0295 class 5/IEC 60228 class 5
 wire gauge: 50mm²
 stripping length: 22mm



	All Dimensions in mm Original Size DIN A4	Scale 2:1	Free size tol.		Ref.
	All rights reserved Department EL PD - DE	Created by FINKEV	Inspected by SCHNIEDER	Standardisation SCHMIDTM	Date 2015-01-19
HARTING Electric GmbH & Co. KG D-32339 Espelkamp		Title Han TC250 female contact 50mm ²			Doc-Key / ECM-Nr. 100184718/UGD/002/A 500000083632
		Type TB	Number 09 11 000 6228		Rev. A
					Page 1/1