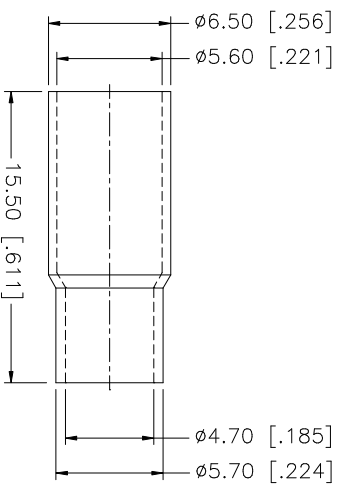
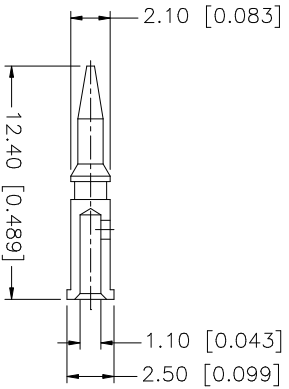
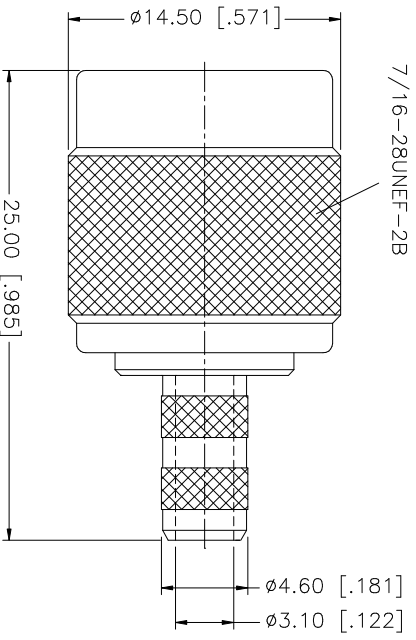
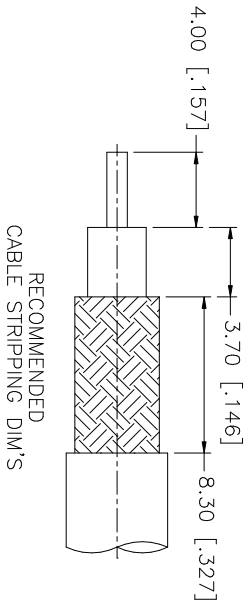


REV.	DATE	DESCRIPTION
A	11/29/03	UPDATE DRAWING FROM AT



8							UNLESS OTHERWISE SPECIFIED DIMENSIONS ARE IN MILLIMETERS. DIMENSIONS IN [ ] ARE IN INCHES AND FOR CUSTOMER REFERENCE ONLY.	APPROVALS	DATE	<b>Amphenol Connex</b> TNC STRAIGHT CRIMP PLUG (FOR B89907, 58 PLENUM CABLE)							
7							UNLESS OTHERWISE SPECIFIED TOLERANCES FOR MILLIMETERS ARE:	DRAWN	G.R.S.		11/29/03						
6							0.5 - 8mm ± 0.20mm	CHECKED									
5							8 - 30mm ± 0.40mm	ISSUED									
4	FERRULE	COPPER	NICKEL	1			30 - 120mm ± 0.50mm	SHEET	1 OF 1								
3	CONTACT PIN	BRASS	GOLD	1													
2	INSULATOR	DELFIN	NATURAL	1			UNLESS OTHERWISE SPECIFIED TOLERANCES FOR INCHES ARE:										
1	BODY	BRASS	NICKEL	1			.020 - .315 = ± 0.007"										
							.315 - 1.180 = ± 0.015"										
							1.180 - 4.724 = ± 0.020"										
	DESCRIPTION	MATERIAL	FINISH	QTY			DO NOT SCALE DRAWING	CAD FILE	C:/122/122112.DWG	DWG. NO.	122112.DWG	REV.	A	SIZE	A	SCALE	NA