



(0.50 mm) .0197"

FJH SERIES

FLAT FLEXIBLE CABLE (FFC) JUMPER

SPECIFICATIONS

For complete specifications see www.samtec.com?FJH

Conductor:
Tin Plated Copper

Conductor Resistance:
1000 Ω/km max

Insulation Resistance:
10 MΩ/km min
(conductor-to-conductor)

Dielectric Test:
400 VAC during 1 minute
(conductor-to-conductor)

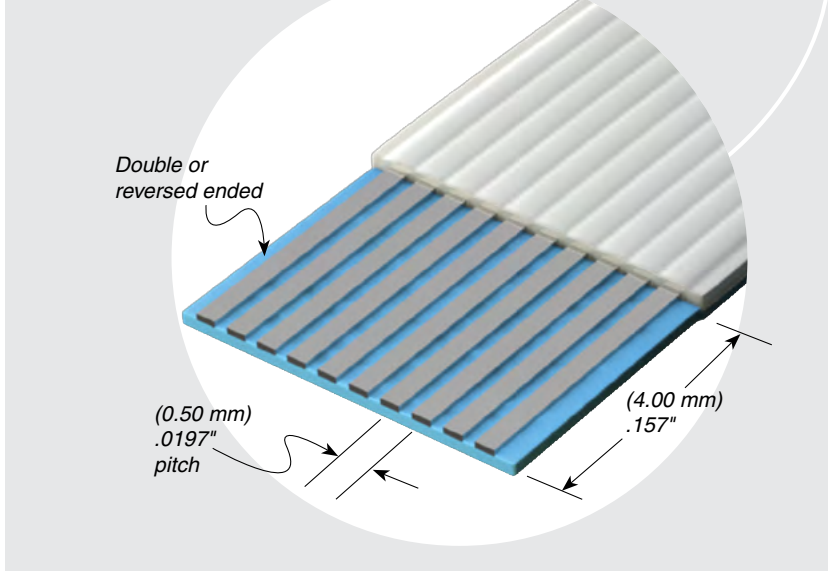
Temperature Rating:
-30 °C to +80 °C

Voltage Rating:
60 VAC

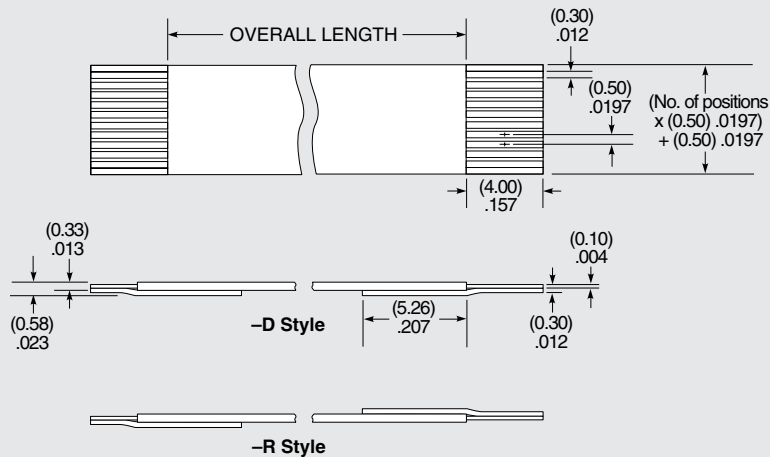
Flame Resistance:
VW-1 (UL 758)

RoHS Compliant:
Yes

Mates with:
ZF5S



FJH	NO. OF POSITIONS	STYLE	OVERALL LENGTH	STRIP LENGTH
	-10, -15, -20, -25, -30, -40, -43, -50	-D = Double End -R = Reversed End	-“XX.XX” = Specify OVERALL LENGTH in inches (±1/8 inch) (-D & -R = (50.80 mm) 2.00" minimum)	-4 = (4.00 mm) .157"



Note: Stiffener color will be blue or black at Samtec's discretion.

Note: Some sizes, styles and options are non-standard, non-returnable.