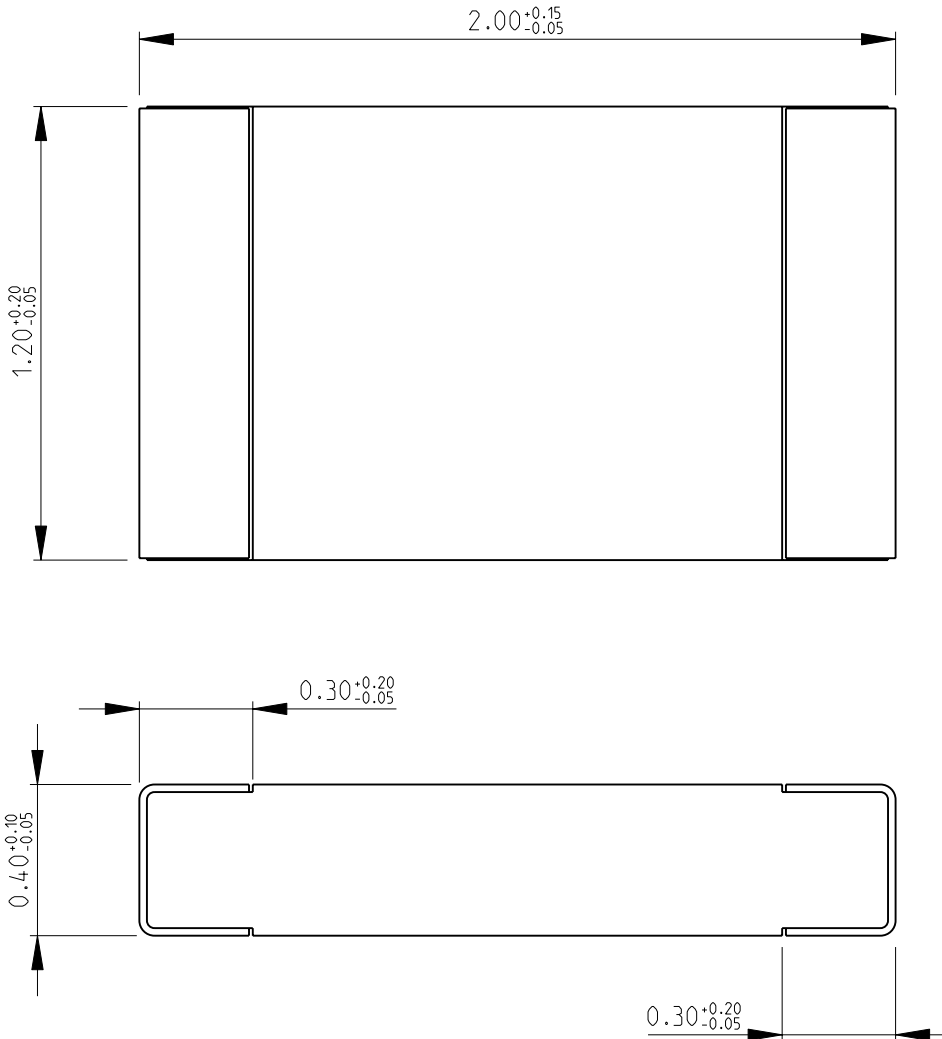
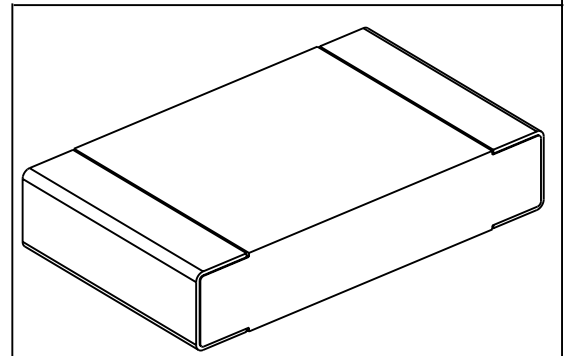


LOC	DIST	REVISIONS					
E	B	P	LTR	DESCRIPTION	DATE	DWN	APVD
			BA	NEW RELEASE	22-DEC-08	SM	St.P

FOR FURTHER INFORMATION SEE DATA SHEET FOR
RH73 SERIES-SMD HIGH VALUE RESISTORS



RoHS Compliant



2008

RELEASED FOR PUBLICATION

THIS DRAWING IS UNPUBLISHED.

BY TYCO ELECTRONICS CORPORATION. ALL RIGHTS RESERVED.

DIMENSIONS:	
mm	
TOLERANCES UNLESS OTHERWISE SPECIFIED:	
0 PLC	±0.2
1 PLC	±0.1
2 PLC	±
3 PLC	±-
4 PLC	±-
ANGLES	±5°

DWN	SUBHASH.M	22-DEC-08
CHK	PRAKASH.S	22-DEC-08
APVD	STEPHEN.P	22-DEC-08
PRODUCT SPEC	-	
APPLICATION SPEC	-	
WEIGHT	-	

MATERIAL	-		FINISH	-	
Tyco Electronics		Tyco Electronics Corporation Dorcan, Swindon, SN3 5HH			
NAME		SMD HIGH VALUE RESISTORS SERIES RH73 2A			
SIZE	CAGE CODE	DRAWING NO	RESTRICTED TO		
A 4	00779	©- 1622818	-		
CUSTOMER DRAWING			SCALE	SHEET	REV
			50:1	1 OF 1	BA