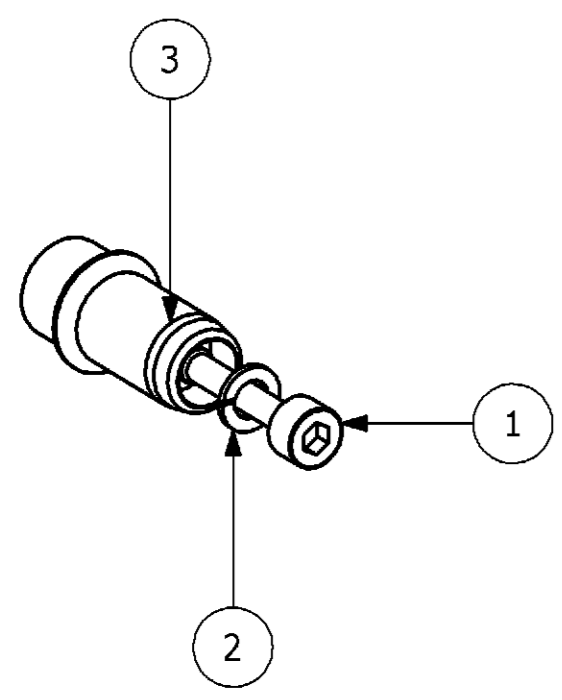


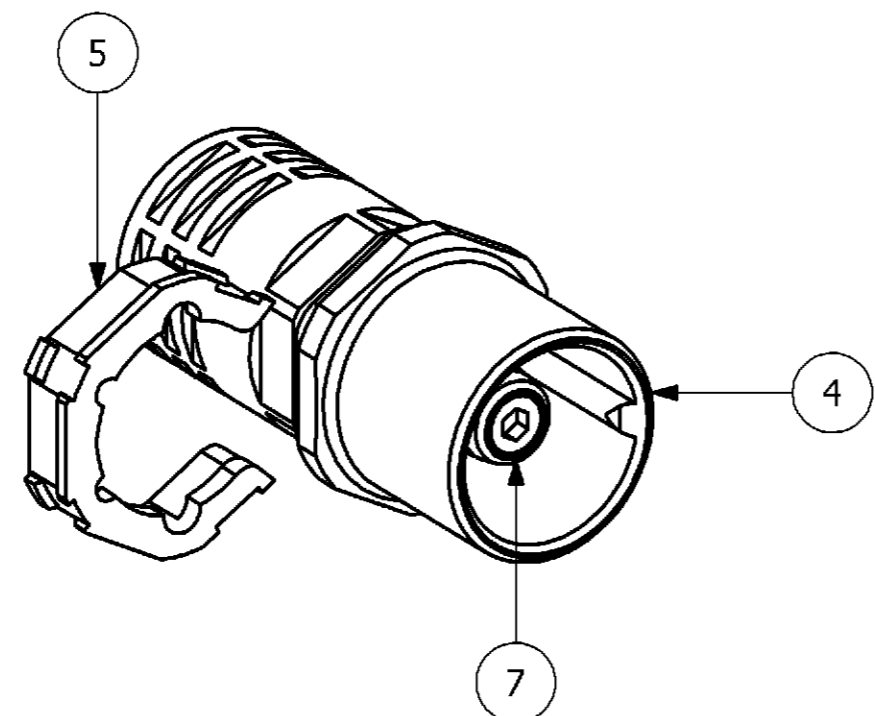
LOC		DIST		REVISIONS ÄNDERUNGEN			DATE	DWN	APVD
AI	-	P	LTR	DESCRIPTION BESCHREIBUNG					
PROJEKT NR. B901815		A3		DRAWING REWORKED ECR-022867		26.09.2006	GW	BR	

NOTES

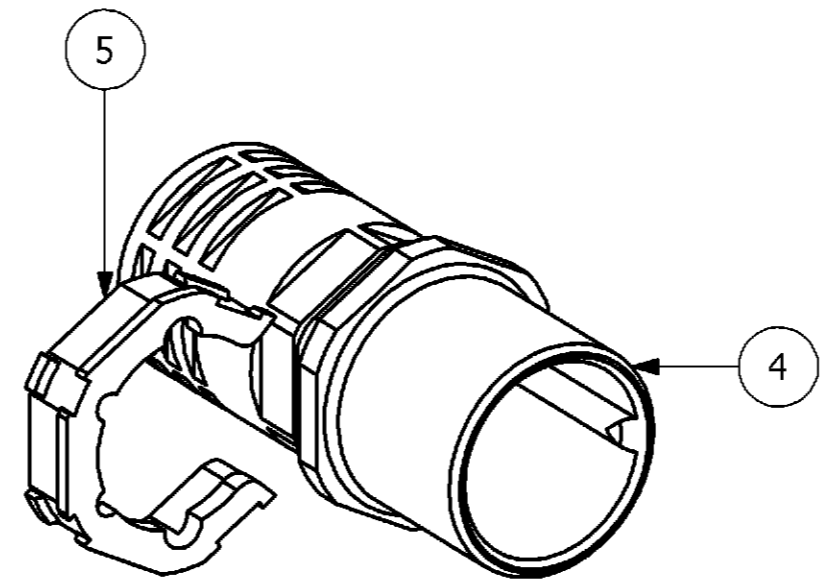
- ⚠ 1 PACKAGING PN 01-05
PACKAGING QUANTITY: 5 PIECES
- ⚠ 2 PACKAGING PN 06
PACKAGING QUANTITY: 1 PIECE
- ☒ SEE TYCO QUALITYMANAGEMENT PROCEDURE NO. 1.12 CURRENT REV.



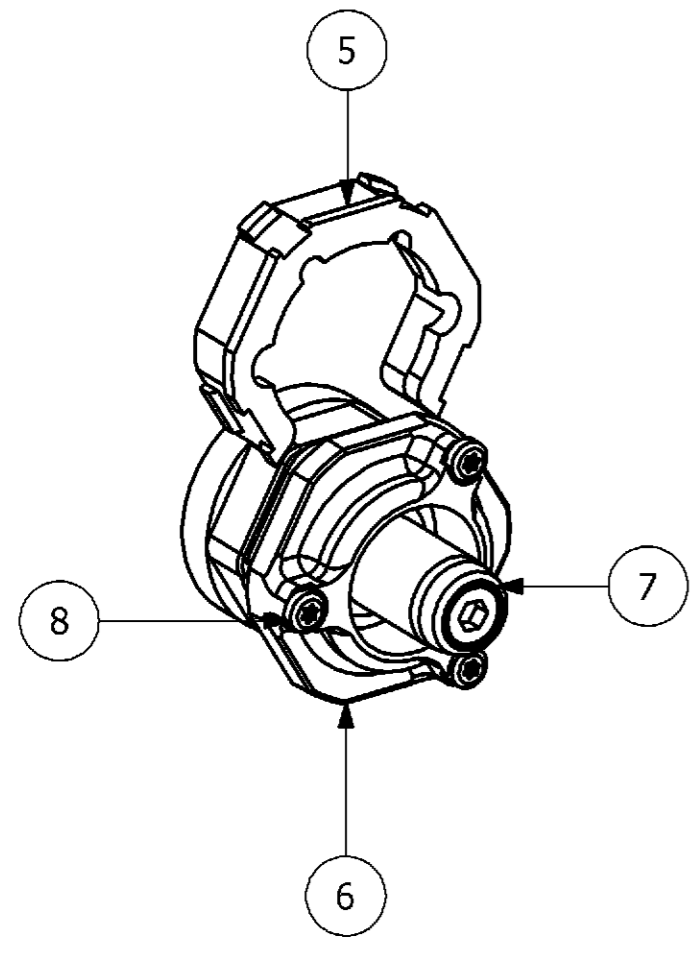
0-1/0-6



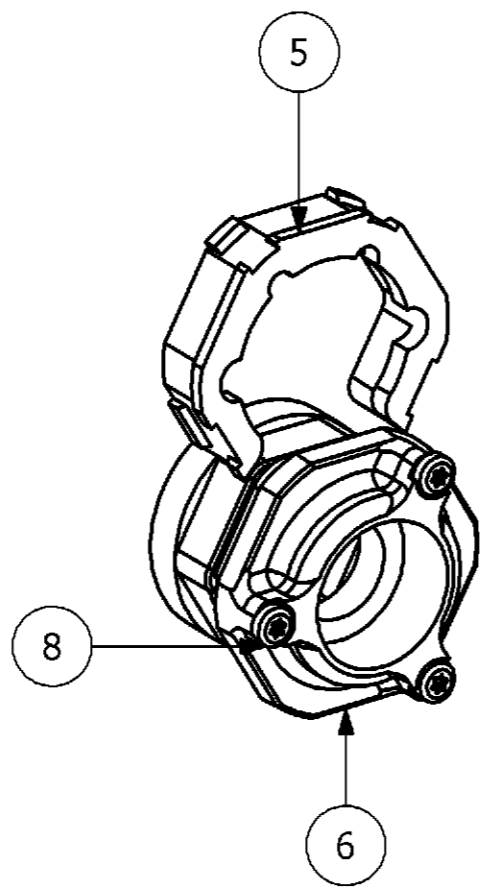
0-2



0-3



0-4



0-5

QTY	QTY	QTY	QTY	QTY	QTY	DESCRIPTION	Material	Surface/Color	ITEM/NO.
-	3	3	-	-	-	SCREW	V2A	-	8
-	-	1	-	1	-	PIN CONTACT	-	-	7
-	1	1	-	-	-	CONTACT SOCKET GROUND	GD-ZnAl	-	6
-	1	1	1	1	-	CLIP	PA66	Sw	5
-	-	-	1	1	-	CONTACT INSERT PIN	PA66	Sw	4
1	-	-	-	-	1	PIN CONTACT	CuZn	Ag	3
1	-	-	-	-	1	SPRINGWASHER	V2A	-	2
1	-	-	-	-	1	SCREW	V2A	-	1
0-6	0-5	0-4	0-3	0-2	0-1	DESCRIPTION	Material	Surface/Color	ITEM/NO.
				X		HF. 13.Sti			
			X			SET-HF. 13/16-13.Sti			
		X				HF. 13/16.Sti			
			X			SET-HF.E-13.Sti			
	X					HF.E. 13/16.Sti			
X						HF. 13.Sti-1			

THIS DRAWING IS A CONTROLLED DOCUMENT FOR AMP INCORPORATED. IT IS SUBJECT TO CHANGE AND THE CONTROLLING ENGINEERING ORGANIZATION SHOULD BE CONTACTED FOR THE LATEST REVISIONS. THESE TECHNICAL SPECIFICATIONS AND DIMENSIONS ARE SUBJECT TO CHANGE WITHOUT NOTICE. ANY CHANGES TO THESE TECHNICAL SPECIFICATIONS AND DIMENSIONS WILL BE NOTICED BY THE CUSTOMER. THE CUSTOMER SHALL BE RESPONSIBLE FOR VERIFYING THE DIMENSIONS AND SPECIFICATIONS OF THE PARTS AND MATERIALS USED IN THE ASSEMBLY. THE CUSTOMER SHALL BE RESPONSIBLE FOR VERIFYING THE DIMENSIONS AND SPECIFICATIONS OF THE PARTS AND MATERIALS USED IN THE ASSEMBLY. THE CUSTOMER SHALL BE RESPONSIBLE FOR VERIFYING THE DIMENSIONS AND SPECIFICATIONS OF THE PARTS AND MATERIALS USED IN THE ASSEMBLY.

DIMENSIONS: DIMENSIONEN: mm	TOLERANCES UNLESS OTHERWISE SPECIFIED: ALLGEMEINTOLERANZEN n. ISO 8015 - n. ISO 2768 - n. DIN 16901- mH-E 140	DWN G.WROBLEWSKI 27.09.2006	Tyco / Electronics AMP GmbH D - 53819 Neunkirchen
MATERIAL	FINISH / OBERFLÄCHE / FARBE	CHK H.BRAUN 26.09.2006	
WEIGHT GEWICHT 0,001 KG	SCALE MASSSTAB 1:1	APVD T.SCHNURPFEL 26.09.2006	NAME ASSY CONTACT PIN SERIES HF 13
CUSTOMER DRAWING / KUNDENZEICHNUNG		PRODUCT SPEC. PRODUKTSPEZ. 108-74025	SIZE A2
		APPLICATION SPEC. VERARBEITUNGSSPEZ. 114-74032	DRAWING NO. ZEICHNUNGS-NR. 1110950
		RESTRICTED TO NUR FÜR	REV. A3