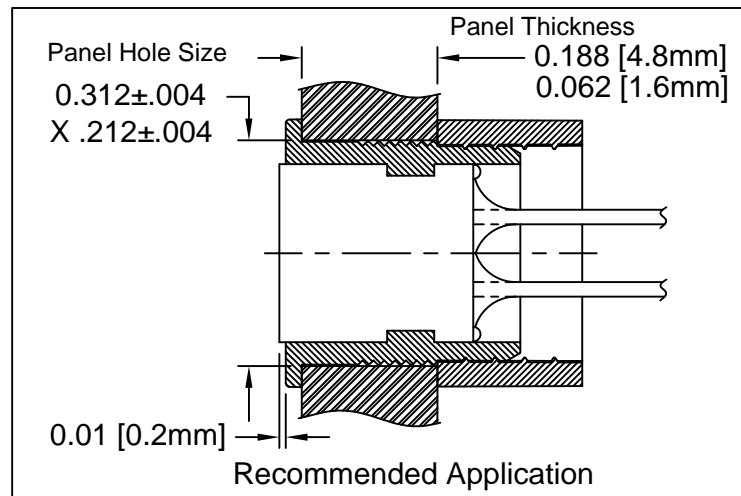
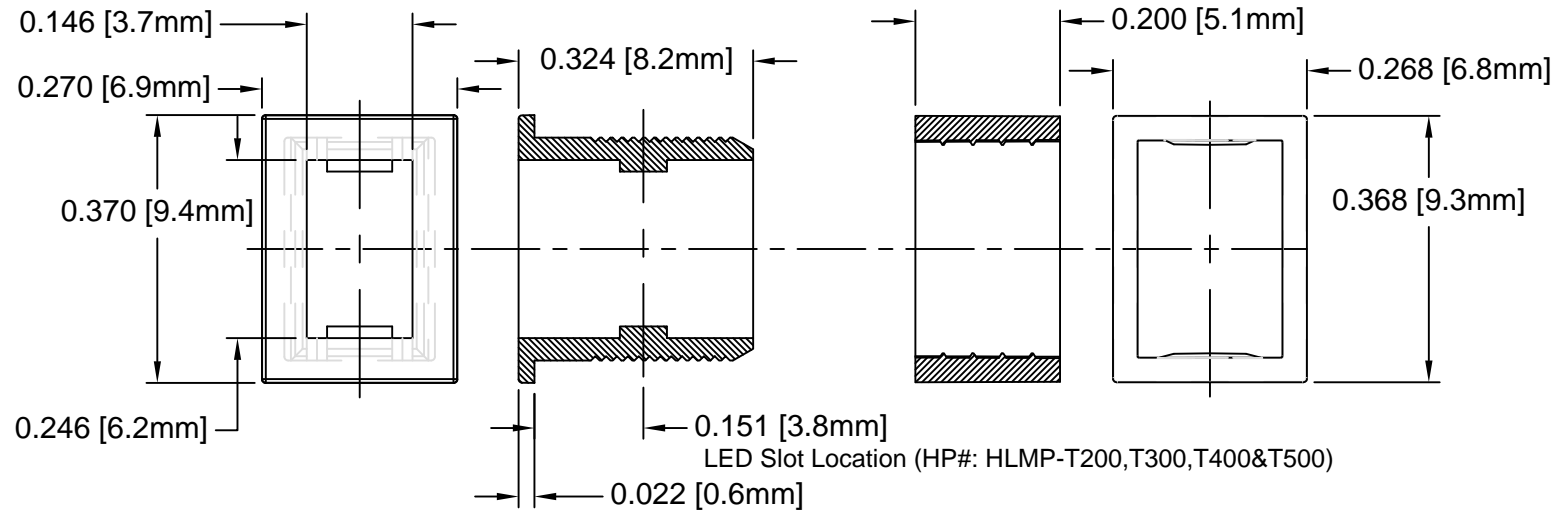


REV.	DESCRIPTION	DATE	APPROVED
C	Engineering Update w/o Changes	02/26/04	M. C.
D	Remove Material Code	05/28/16	J. C.



2. MATERIAL: NYLON 6/6, 94V-2, BLACK.

1. GENERAL SPECIFICATIONS: BIVAR MOLDED COMPONENT SPECIFICATION BV00-E101.

STANDARD TOLERANCE (UNLESS OTHERWISE SPECIFIED)		BIVAR®	
DECIMALS	ANGULAR	4 THOMAS, IRVINE, CA. 92618	
.X ± .1	X° ± 1°	TEL: (949) 951-8808 FAX: (949) 951-3974	
.XX ± .01		<b>TITLE:</b> CLIP & RING SET FOR RECTANGULAR LED	
.XXX ± .005		<b>PART NO:</b> CR-300	<b>REVISION:</b> D
DESIGNED: <b>D. Green</b>	DATE: <b>11/13/02</b>	<b>CAGE CODE :</b> 32559 <b>SHEET #</b> 1 OF 1	
CHECKED: <b>M. Chen</b>	DATE: <b>11/13/02</b>	CAD GENERATED DOCUMENT. DO NOT MEASURE DRAWING.	